



**EBARA**

CP2201EC

# **HORIZONTAL MIXED-FLOW PUMPS**

Model HZ Bore 500~1500mm (20~60in)



# EBARA HORIZONTAL MIXED-FLOW PUMPS

## Applications

River water drainage; Water transfer for sewerage works  
 Irrigation and drainage for agricultural  
 Water intake/transfer for general industrial

## Specifications

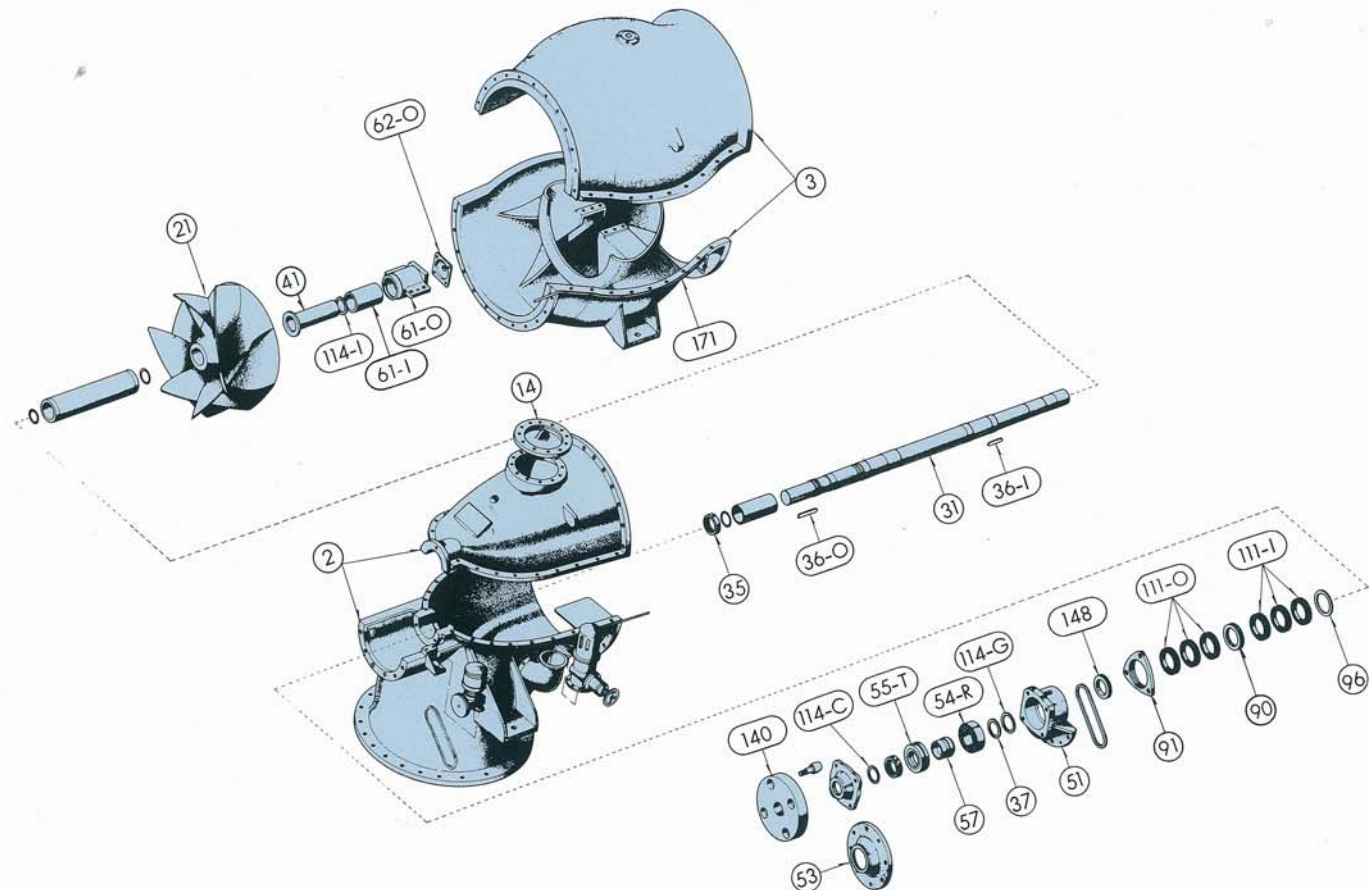
Bore	500 ~ 1500 mm (20 ~ 60 in)
Capacity	21 ~ 340 m <sup>3</sup> /min (5500 ~ 90000 USGPM)
Total head	2 ~ 10 m (6.6 ~ 33 ft)
Liquid	Fresh water, River water, Sea water, etc. Temperature 0 ~ 45°C (32 ~ 110°F)

## Features

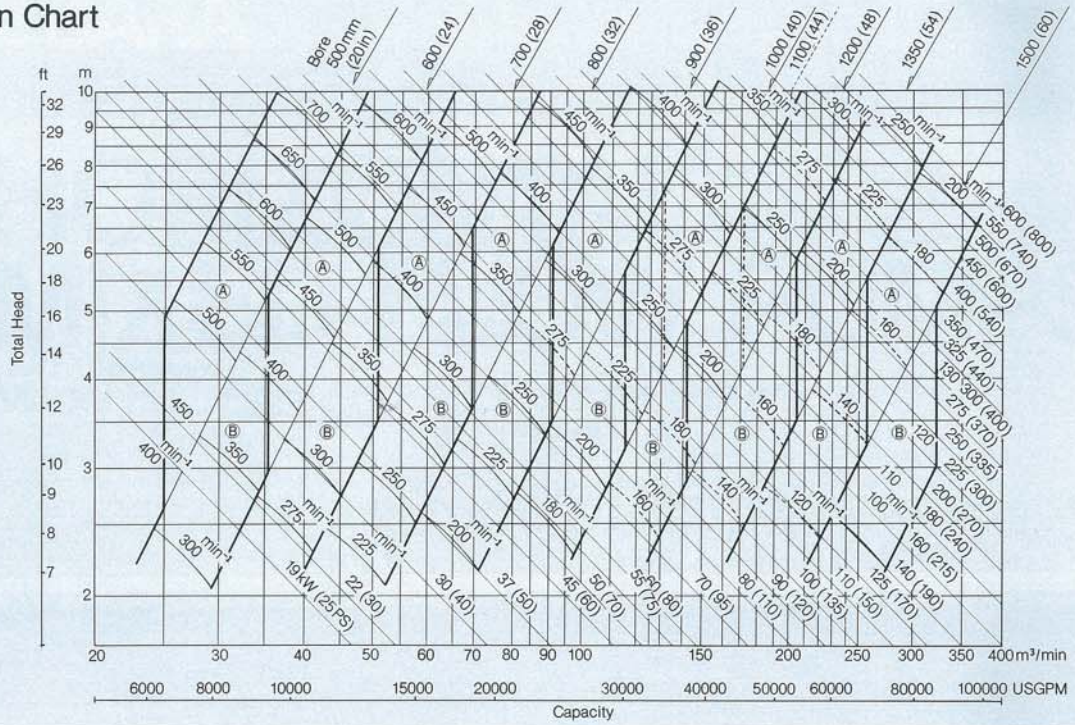
- Split case design permits easy maintenance
- High efficiency over a wide range
- Guaranteed high performance, quality and prompt delivery

## Construction

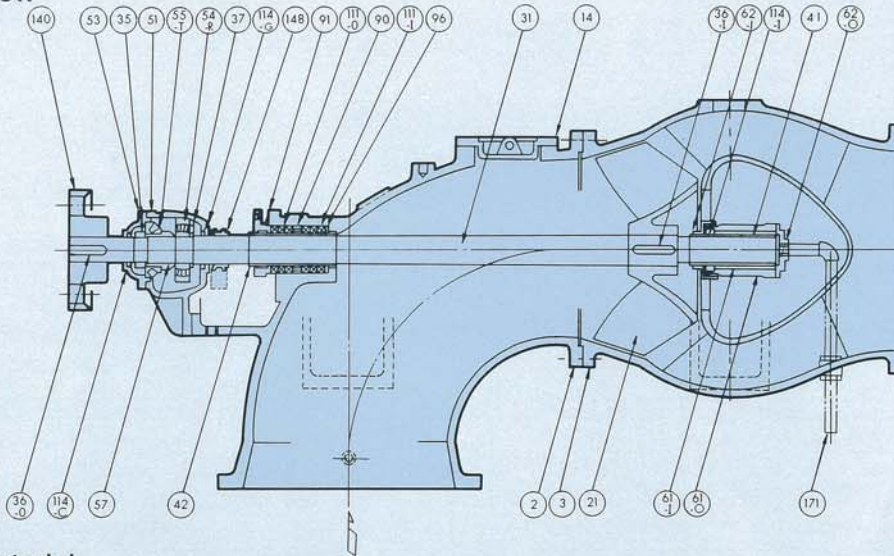
Direction of rotation	CW (viewed from driver)
Impeller	Semi-open type
Thrust bearing	Roller bearing
Radial bearing	Ball bearing
Accessories	Grease lubrication unit, Pump base, Shaft coupling, Vacuum breaker, Anchor bolts



## Selection Chart



## Sectional View

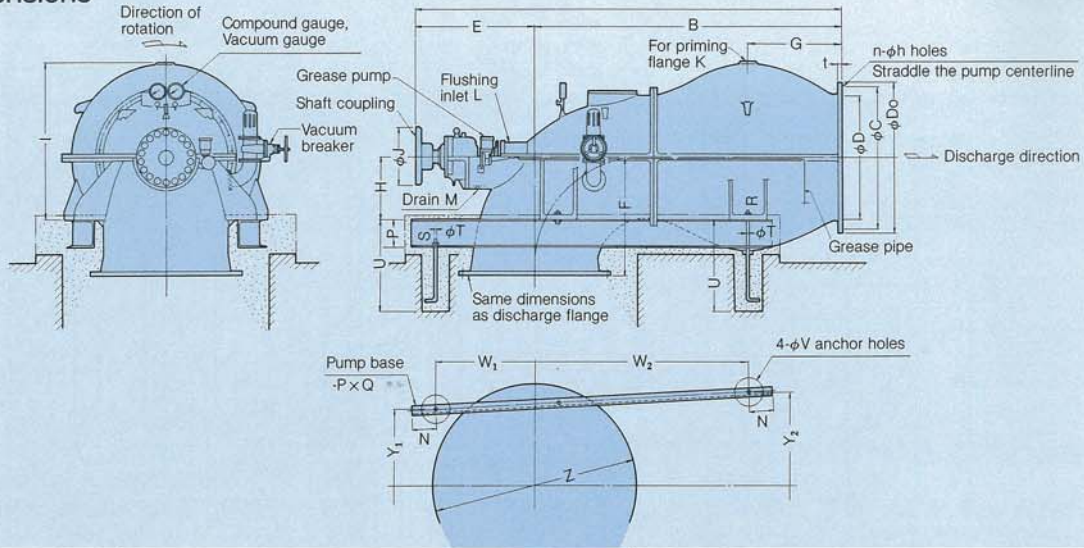


## Standard Material

Part No.	Part Name	Material	Q'ty	Part No.	Part Name	Material	Q'ty
2	Suction casing	Cast Iron	1	61-I	Submerged bearing metal	Special alloy	1
3	Guide casing	Cast Iron	1	61-O	Submerged bearing housing	Cast Iron	1
14	Inspection hole cover	Cast Iron	1	62-I	Seal cover	Cast Iron	1
21	Impeller	Bronze	1	62-O	Submerged bearing cover	Cast Iron	1
31	Pump shaft	Carbon Steel	1	90	Lantern ring	Bronze	1
35	Shaft nut	Carbon Steel	1	91	Gland	Bronze	1
36-I	Impeller key	Carbon Steel	1	96	Packing plate	Rolled Steel	1
36-O	Coupling key	Carbon Steel	1	111-I	Packing	Carbonized fiber	1 set
37	Distance piece	Rolled Steel	1	111-O	Packing	Carbonized fiber	1 set
41	Bearing sleeve	Stainless Steel	1	114-C	Oil seal	—	1
42	Packing sleeve	Stainless Steel	1	114-G	Oil seal	—	1
51	Bearing housing	Cast Iron	1	114-I	Oil seal	—	1
53	Bearing cover	Cast Iron	1	140	Coupling	Cast Iron	1
54-R	Ball bearing	—	1	148	V belt pulley (for grease pump)	Carbon Steel	1
55-T	Roller bearing	—	1	171	Grease pipe	Brass	1 set
57	Journal	Carbon Steel	1				

Note: Above material combination is a standard selection for fresh water or river water. Other materials are also available.

# Outline Dimensions



(UNIT: mm)

Bore		Pump							Flange*1				Coupling	Small piping		
D	A	B	E	F	G	H	I	Do	C	t	n-h	J	K	L	M	
500A	1885	1160	725	475	310	250	613	706	639	31	12-27	280	2 in	3/4 in	3/4 in	
500B	1960	1235			385		664									
600A	2150	1395	755	570	375	300	714	810	743	32	16-27	315	2 in	3/4 in	3/4 in	
600B	2225	1470			450		772									
700A	2480	1640	840	665	450	350	822	928	854	33	16-33	355	2 in	3/4 in	3/4 in	
700B	2555	1715			525		889									
800A	2745	1885	860	760	525	400	939	1034	960	36	20-33	400	2 in	3/4 in	3/4 in	
800B	2820	1960			600		1015									
900A	3090	2130	960	855	600	450	1065	1156	1073	38	20-33	450	2 in	3/4 in	3/4 in	
900B	3165	2205			675		1154									
1000A	3395	2375	1020	950	675	500	1204	1262	1179	39	24-33	560	2 in	1 in	1 in	
1000B	3470	2450			750		1288									
1100A	3740	2620	1120	1045	750	550	1252	1366	1283	41	24-33	560	2 1/2 in	1 in	1 in	
1100B	3815	2695			825		1336									
1200A	4035	2865	1170	1140	825	600	1386	1470	1387	43	28-33	630	2 1/2 in	1 in	1 in	
1200B	4110	2940			900		1509									
1350A	4480	3200	1280	1285	900	675	1584	1642	1552	46	28-39	630	3 in	1 in	1 in	
1350B	4595	3315			1015		1713									
1500A	4955	3565	1390	1425	1015	750	1788	1800	1710	48	32-39	710	3 in	1 in	1 in	
1500B	5065	3675			1125		1930									

Bore D	Base & Anchor bolt					Foundation						
	N	P×Q	R	S	T	U	V	W1	W2	Y1	Y2	Z
500A	170	200× 80	65	55	22	500	200	470	850	960	650	950
500B								500		910	750	
600A	170	200× 80	65	55	22	500	200	530	1020	1050	750	1100
600B								570		980	900	
700A	190	250× 90	70	60	24	630	225	620	1190	1130	900	1250
700B								650		1050	1050	
800A	190	250× 90	70	60	24	630	225	640	1360	1230	1050	1350
800B								670		1160	1200	
900A	220	250× 90	85	70	30	800	275	720	1530	1350	1200	1500
900B								750		1280	1350	
1000A	220	250× 90	85	70	30	800	275	820	1700	1420	1350	1700
1000B								850		1350	1500	
1100A	260	300× 90	90	70	30	800	275	890	1870	1500	1500	1850
1100B								930		1410	1650	
1200A	260	300× 90	90	70	30	800	275	960	2040	1570	1650	2000
1200B								990		1480	1800	
1350A	260	380× 100	105	85	36	1000	300	1010	2300	1800	1800	2200
1350B								1070		1650	2030	
1500A	260	380× 100	105	85	36	1000	300	1090	2550	1920	2030	2400
1500B								1150		1770	2250	

\*1 Any standard flange can be applied, if required.  
All specifications are subject to change without notice.



## EBARA CORPORATION

Head Office  
International Division  
OVERSEAS OFFICES  
Jakarta Office  
Manila Office  
Kuwait Office  
London Office

11-1, Haneda Asahi-cho, Ota-ku, Tokyo, 144 Japan  
Asahi Bldg., 6-7, Ginza 6-chome, Chuo-ku, Tokyo, 104 Japan  
c/o PT Palmas Entraco Jl. Gunung Sahari Raya 57G, Jakarta Indonesia  
c/o Clindisco Bldg. 2288 Pasong Tamo Extension, Makati, Rizal, Philippines  
c/o Fawaz Ref. and Air Conditioning Co., P.O. Box 20423, Safat Kuwait  
3rd Floor, Regal House, London Road, Twickenham, Middlesex, TW1 3QS, England

Phone: Tokyo 743-6111  
Phone: Tokyo 572-5611

Phone: 412908  
Phone: 2-817-6662  
Phone: 2446131  
Phone: 1-892-8971