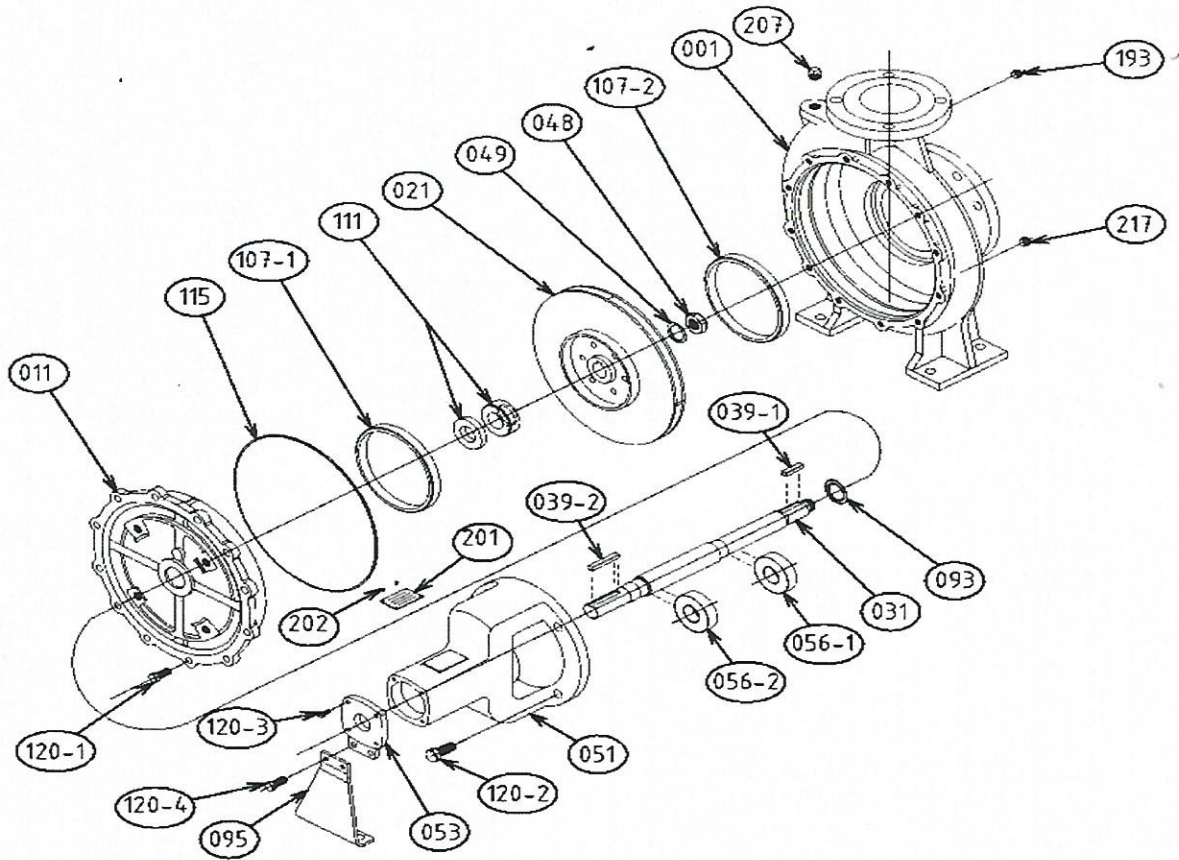


MECHANICAL SEAL TYPE



PART NO.	PART NAME
001	Casing
011	Casing Cover
021	Impeller
031	Shaft
039-1	Key Way Impeller
039-2	Key Way Coupling
048	Impeller Nut
049	Impeller Washer
051	Bearing Housing
053	Bearing Cover

PART NO.	PART NAME
056-1	Ball Bearing
056-2	Ball Bearing
093	Deflector
095	Bearing Support/ Stay
107-1	Casing Ring
107-2	Casing Ring
111	Mechanical Seal
120-1	Bolt
120-2	Bolt

PART NO.	PART NAME
120-3	Bolt
193	Plug
201	Name Plate
202	Connector Pin
207	Plug
217	Drain Plug