

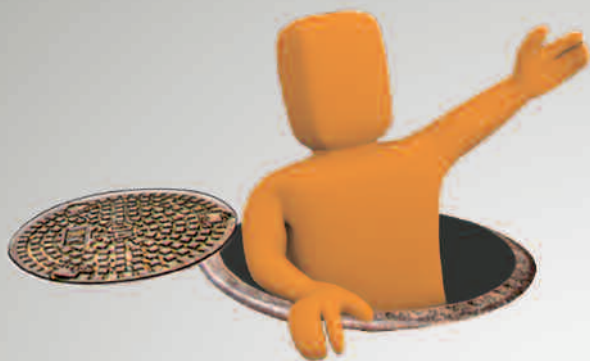


**EBARA**

**DW - DW VOX**

**SUBMERSIBLE ELECTRIC PUMPS FOR SEWAGE**

**60 Hz**



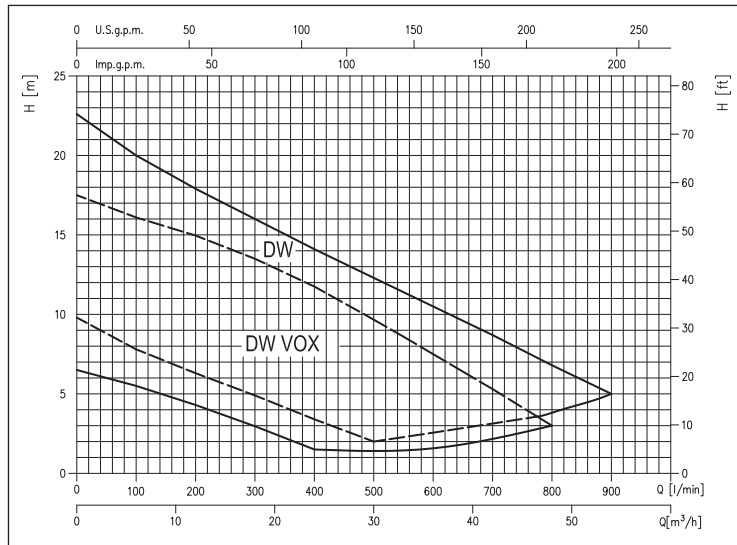
# DW - DW VOX

## SUBMERSIBLE ELECTRIC PUMPS FOR SEWAGE

in AISI 304



### PERFORMANCE RANGE (according to ISO 9906 Attachment A)



Submersible electric pumps in AISI 304 stainless steel for sewage.

### APPLICATIONS

- Evacuation of civil and industrial waste waters
- Drainage of wells and excavations
- Draining sub-layer zones
- Generally moving foul waste liquids also containing solid substances and/or suspended filamentary substances
- Emptying seepage water
- Moving sewage (sanitary services)
- Emptying cesspits

### TECHNICAL DETAILS

- Equipped with 10 m of H07 RN-F (single phase version) or FG50K (three phase version) power supply cable
- Available with or without float switch
- Envisioned with single channel impeller or vortex type (VOX) and flanged (F)

### TECHNICAL DATA

- Maximum immersion: 10 m
- Maximum temperature of the liquid: 40°C
- Max. solids size for passage: 50 mm spherical
- Self-ventilated 2 pole asynchronous motor
- Class of insulation F
- IPX8 Protection rating
- 110-115V ±6%, 60Hz single phase voltage, 220-230V ±6%, 60Hz single phase voltage, 220V -6 +10%, 60Hz three phase voltage, 380V -6 +10%, 60Hz three phase voltage, 440-460V ±6%, 60Hz three phase voltage
- Permanent capacitor inserted and thermo-amperometric protection with automatic rearm incorporated for the single phase motor
- Protection under user's responsibility for the three phase version
- Threaded version: ø 50 discharge, G2 discharge
- Flanged version: discharge ø 50 PN 10

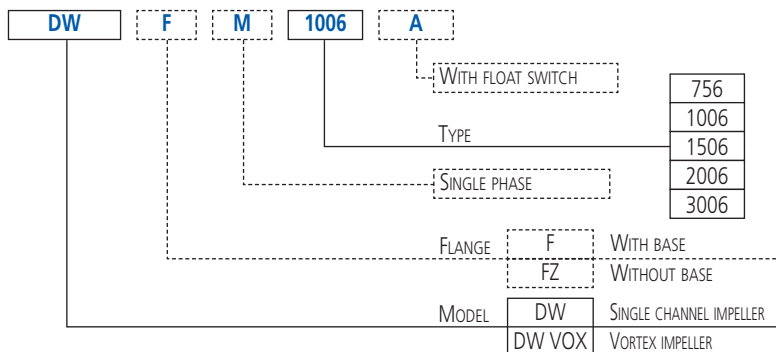
### MATERIALS

- Pump body, impeller, seal cover, casing cover and motor frame in AISI 304
- Shaft in AISI 303 (part in contact with the liquid)
- Twin mechanical seal with interposed oil chamber:
  - upper in Carbon/Ceramic/NBR (motor side)
  - lower in SiC/SiC/NBR (pump side)

### SPECIAL VERSIONS

- VOX version (VORTEX impeller)

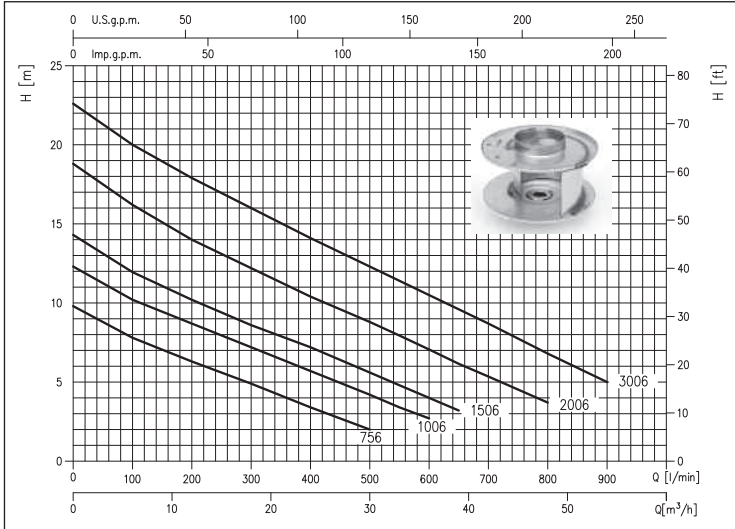
### IDENTIFICATION CODE



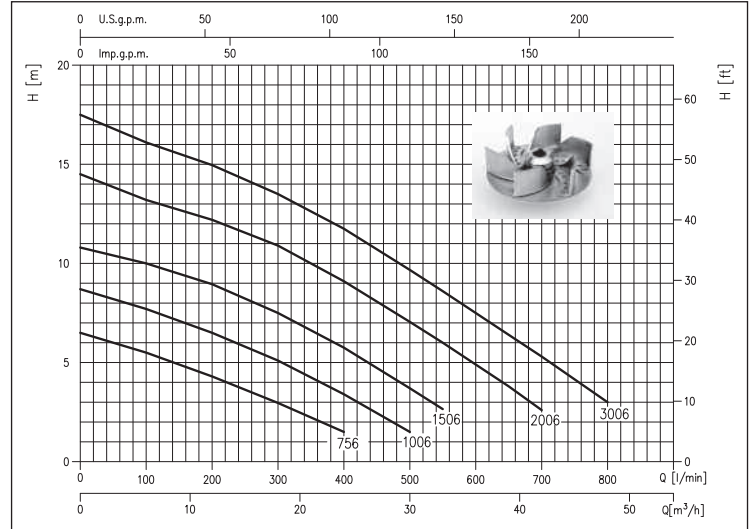
# DW - DW VOX

**SUBMERSIBLE ELECTRIC PUMPS FOR SEWAGE**  
in AISI 304

**DW PERFORMANCE CURVES** (according to ISO 9906 Attachment A)



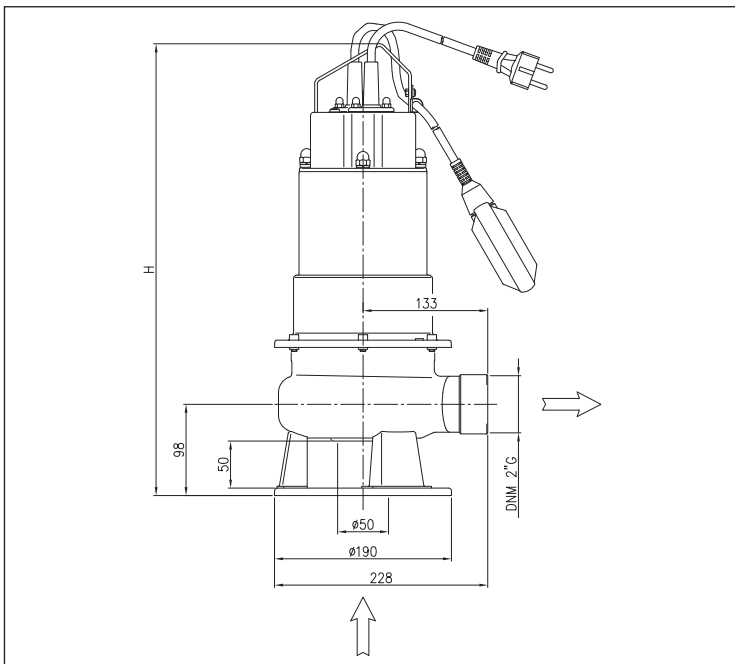
**DW VOX PERFORMANCE CURVES** (according to ISO 9906 Attachment A)



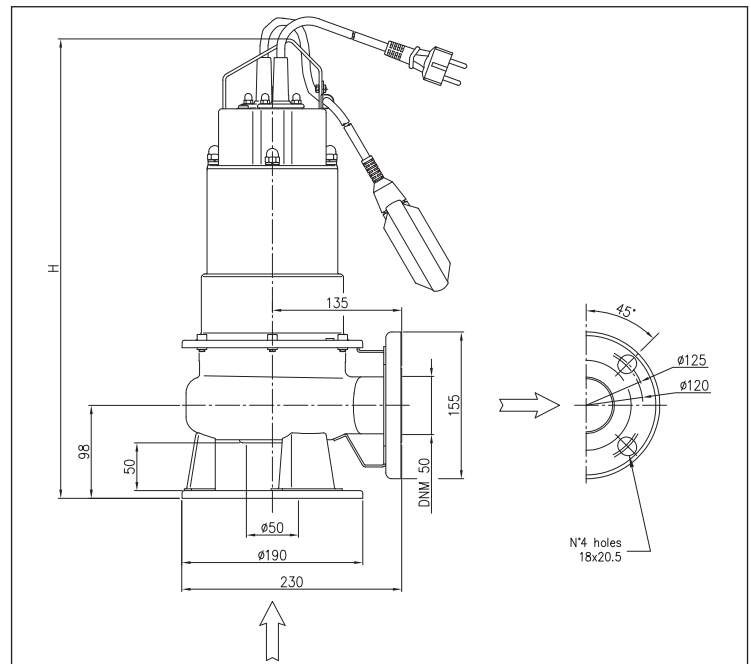
**PERFORMANCE TABLE**

Single phase	Model Three phase	P <sub>2</sub>		Q=Flow rate											
		[HP]	[kW]	l/min	100	200	300	400	500	550	600	650	700	800	900
				H=Head [m]											
DW 756 M	DW 756	0,75	0,55	7,8	6,3	4,9	3,4	2,0	-	-	-	-	-	-	-
DW 1006 M	DW 1006	1	0,75	10,2	8,7	7,2	5,7	4,2	3,4	2,7	-	-	-	-	-
DW 1506 M	DW 1506	1,5	1,1	12,0	10,2	8,6	7,2	5,6	4,8	4,0	3,2	-	-	-	-
DW 2006 M	DW 2006	2	1,5	16,2	14,0	12,2	10,4	8,8	7,9	7,1	6,2	5,4	3,7	-	-
-	DW 3006	3	2,2	20,0	17,9	16,0	14,1	12,3	11,4	10,5	9,6	8,7	6,8	5,0	-
DW VOX 756 M	DW VOX 756	0,75	0,55	5,5	4,3	3,0	1,5	-	-	-	-	-	-	-	-
DW VOX 1006 M	DW VOX 1006	1	0,75	7,7	6,5	5,1	3,4	1,5	-	-	-	-	-	-	-
DW VOX 1506 M	DW VOX 1506	1,5	1,1	10,0	9,0	7,5	5,8	3,7	2,7	-	-	-	-	-	-
DW VOX 2006 M	DW VOX 2006	2	1,5	13,2	12,2	10,9	9,1	7,1	6,0	4,9	3,8	2,6	-	-	-
-	DW VOX 3006	3	2,2	16,1	15,0	13,5	11,8	9,7	8,6	7,5	6,4	5,3	3,0	-	-

**DW - DW VOX DIMENSIONS**



**DWF - DWF VOX DIMENSIONS**



# DW - DW VOX

## SUBMERSIBLE ELECTRIC PUMPS FOR SEWAGE

in AISI 304

**DIMENSIONAL TABLE DW - DW VOX**

Model	Dimensions [mm]		Weight [kg]		
	H		1~	3~	
	1~	3~	MA (with float switch)	Manual	
DW 756	486	(*551)	486	16	(*16,2)
DW 1006	516	(*581)	486	18	(*18,2)
DW 1506	516	516	19,4	19,2	18,6
DW 2006	611	516	-	25,2	20
DW 3006	-	546	-	-	25,8
DW VOX 756	486	(*551)	486	15,6	(*15,8)
DW VOX 1006	516	(*581)	486	17,6	(*17,8)
DW VOX 1506	516	516	19	18,8	18,1
DW VOX 2006	611	516	-	24,8	19,6
DW VOX 3006	-	546	-	-	25,4

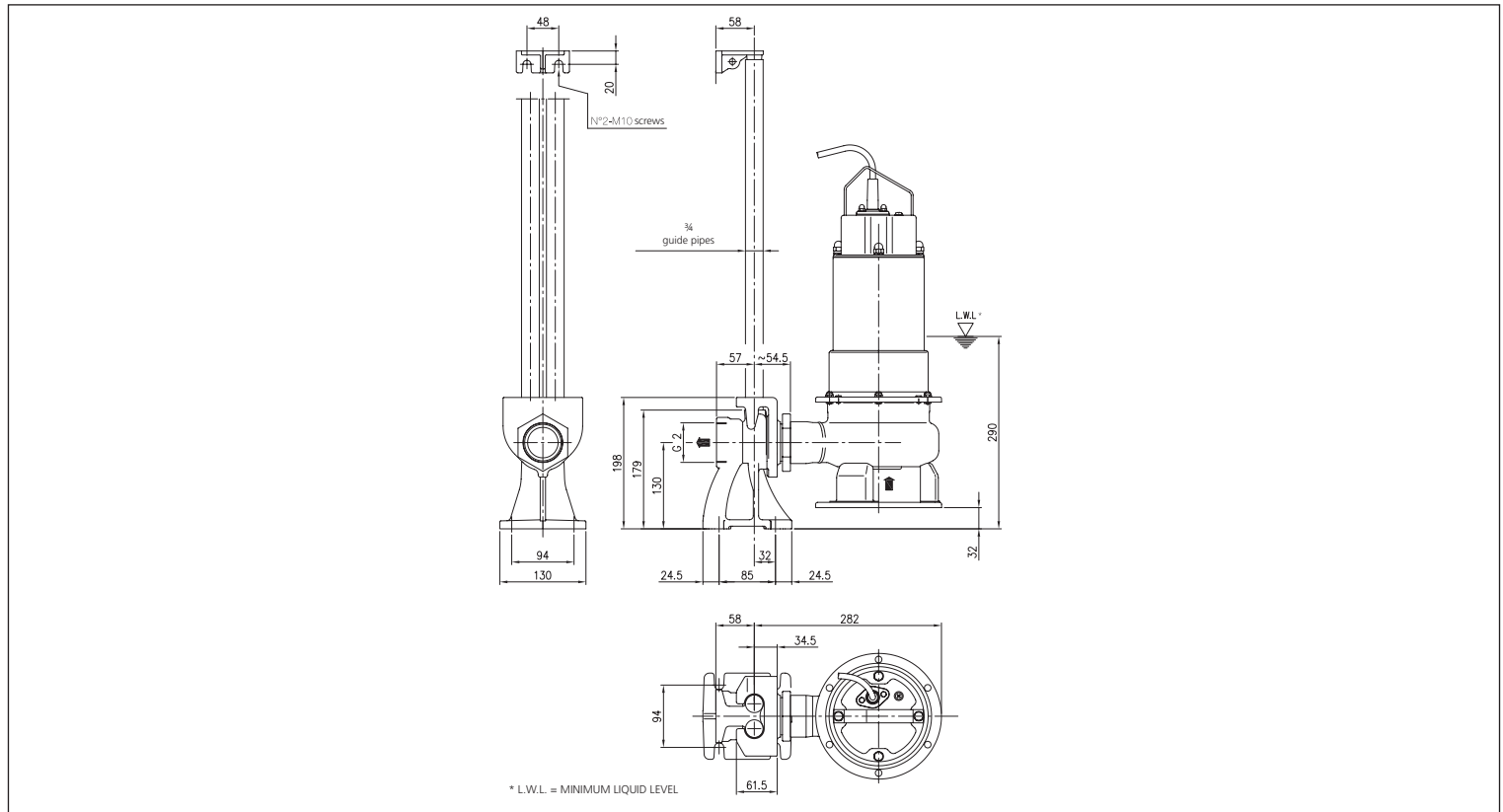
\*= For 110-115V

**DIMENSIONAL TABLE DWF - DWF VOX**

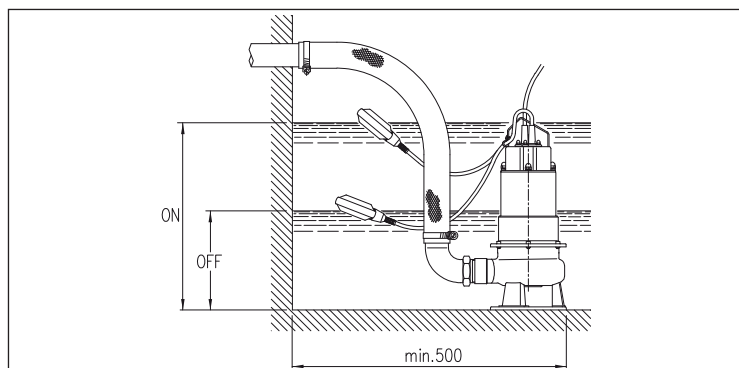
Model	Dimensions [mm]		Weight [kg]		
	H		1~	3~	
	1~	3~	MA (with float switch)	Manual	
DWF 756	486	(*551)	486	16,8	(*17)
DWF 1006	516	(*581)	486	18,8	(*19)
DWF 1506	516	516	20,2	20	19,4
DWF 2006	611	516	-	26	20,8
DWF 3006	-	546	-	-	26,6
DWF VOX 756	486	(*551)	486	16,4	(*16,6)
DWF VOX 1006	516	(*581)	486	18,4	(*18,6)
DWF VOX 1506	516	516	19,8	19,6	18,9
DWF VOX 2006	611	516	-	25,6	20,4
DWF VOX 3006	-	546	-	-	26,2

\*= For 110-115V

### DW - DW VOX COUPLING KIT DIMENSIONS



### INSTALLATION



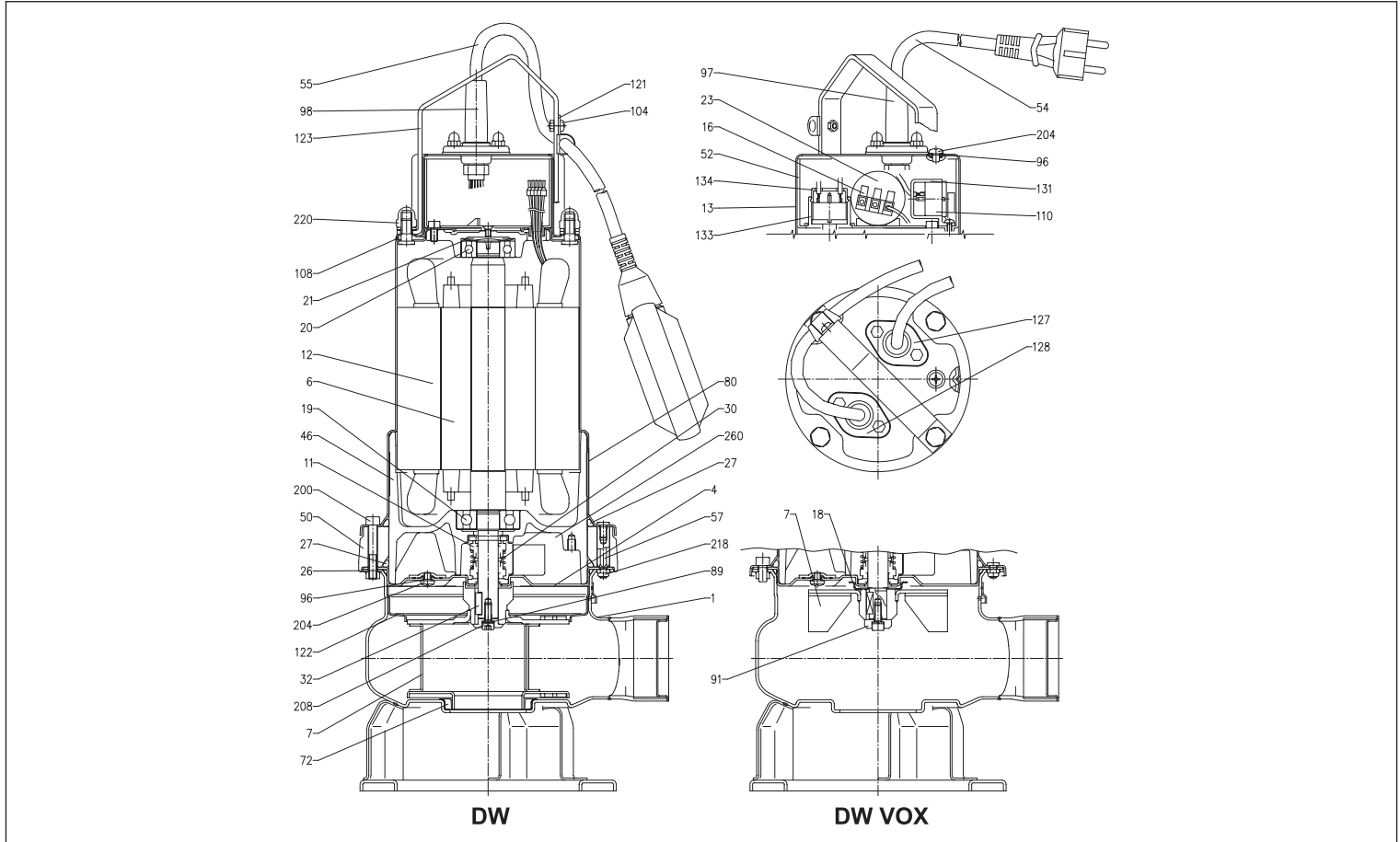
Model	Dimensions [mm]	
	ON	OFF
756 MA	460	250
1006 MA	470	260
1506 MA	470	260

# DW - DW VOX

## SUBMERSIBLE ELECTRIC PUMPS FOR SEWAGE

in AISI 304

### SECTIONAL VIEW



### MATERIALS TABLE

Ref.	Name	Material	Ref.	Name	Material
1	Casing	AISI 304	57	Spacer [3]	AISI 304
4	Casing cover	AISI 304	72	Casing ring [5]	NBR
6	Shaft with rotor	AISI 303	89	Washer	AISI 304
7	Impeller	AISI 304	91	Washer [2]	AISI 304
11	Mechanical seal	SiC/SiC/NBR	96	O ring	NBR
11	Mechanical seal	Carbon/Ceramic/NBR	97	Power cable entry	NBR
12	Motor frame with stator	-	98	Floating sw cable entry [4]	NBR
13	Motor cover	AISI 304	104	Cable guard [4]	NBR
16	Terminal	-	108	Cover gasket	NBR
18	Mechanical seal protection [2]	AISI 304	110	Protector [1]	-
19	Lower side ball bearing	-	121	Support for float switch [4]	AISI 304
20	Upper side ball bearing	-	122	Impeller protection ring [6]	AISI 304
21	Adjusting ring	Steel C70	123	Handle	AISI 304
23	Capacitor [1]	-	127	Power cable connector	AISI 304
26	O ring	NBR	128	Floating sw. cable connector [4]	AISI 304
27	O ring	NBR	131	Support for protector [7]	PA66
27	O ring [3]	NBR	133	Support for probe [7]	Aluminium
30	Mechanical seal spacer	Brass	134	Cover for support probe [7]	PA66
32	Key	AISI 316	200	Screw	Stainless steel A2 UNI 7323
46	Bearing housing	G20	204	Screw	Stainless steel A2 UNI 7323
50	Spacer [3]	G20	208	Screw	Stainless steel A2 UNI 7323
52	Terminal insulating box	PA66	218	Nut	Stainless steel A2 UNI 7323
54	Power cable	-	220	Nut	Stainless steel A2 UNI 7323
55	Float switch [4]	-	260	Lubricating liquid	White mineral oil

[1] Only for single phase

[4] Only for single phase with float switch

[7] Only for single phase with external motor protector

[2] Except for DW-DW VOX 3006

[5] Only for DW

[3] Only for DW-DW VOX 3006

[6] Except for DW VOX 1506, 2006 and 3006

# DW - DW VOX

## SUBMERSIBLE ELECTRIC PUMPS FOR SEWAGE

in AISI 304

**ELECTRIC DATA TABLE DW - DW VOX** single phase

Model Single phase	P <sub>2</sub>		Capacitor Single phase				P <sub>1</sub>		Absorbed Current [A]	
	[HP]	[kW]	110-115V		220-230V		Single phase [kW]	Three phase [kW]	Single phase	
			μF	V <sub>c</sub>	μF	V <sub>c</sub>			110-115V	220-230V
DW 756	0,75	0,55	55	250	20	450	0,94	0,94	8,3	4,3
DW 1006	1	0,75	80	250	25	450	1,25	1,25	10,8	6,0
DW 1506	1,5	1,1	-	-	31,5	450	-	1,40	-	6,5
DW 2006	2	1,5	-	-	50	450	-	1,93	-	9,1
DW VOX 756	0,75	0,55	55	250	20	450	0,95	0,95	8,3	4,4
DW VOX 1006	1	0,75	80	250	25	450	1,32	1,32	11,0	6,5
DW VOX 1506	1,5	1,1	-	-	31,5	450	-	1,60	-	7,5
DW VOX 2006	2	1,5	-	-	50	450	-	2,30	-	11,1

**ELECTRIC DATA TABLE DW - DW VOX** three phase

Model Three phase	P <sub>2</sub>		P <sub>1</sub> [kW]			Absorbed Current [A]		
	[HP]	[kW]	Three phase			Single phase		
			220V	380V	440-460V	220V	380V	440-460V
DW 756	0,75	0,55	0,86	0,86	0,86	3,0	1,7	1,4
DW 1006	1	0,75	1,20	1,20	1,20	3,7	2,3	1,9
DW 1506	1,5	1,1	1,40	1,40	1,40	4,8	2,8	2,3
DW 2006	2	1,5	2,20	2,20	2,20	7,0	3,9	3,2
DW 3006	3	2,2	2,71	2,71	2,71	7,9	4,6	4,2
DW VOX 756	0,75	0,55	0,90	0,90	0,90	3,0	1,6	1,3
DW VOX 1006	1	0,75	1,30	1,30	1,30	4,2	2,4	2,0
DW VOX 1506	1,5	1,1	1,50	1,50	1,50	5,1	3,0	2,5
DW VOX 2006	2	1,5	2,35	2,35	2,35	7,3	4,4	3,6
DW VOX 3006	3	2,2	2,77	2,77	2,77	8,0	4,6	4,2

## EBARA Pumps Europe network

### HEAD OFFICE

#### EBARA Pumps Europe S.p.A.

Via Pacinotti, 32  
36040 Brendola (VI), Italy  
Phone +39 0444 706811 - Fax +39 0444 405811

Italian sales:  
e-mail: ordini@ebaraeurope.com

Export sales:  
e-mail: exportsales@ebaraeurope.com

Technical Customer Service (TCS):  
e-mail: technical\_customer\_service@ebaraeurope.com  
Phone +39 0444 706902/923

Marketing & Marketing Communication:  
e-mail: marketing@ebaraeurope.com

### ITALIAN SALES NETWORK

#### NORTH Region:

(Valle d'Aosta, Piemonte, Lombardia, Liguria, Trentino  
Alto Adige, Veneto, Friuli Venezia Giulia, Emilia Romagna)  
Regional Manager cell.: +39 348 8732512  
e-mail: nord@ebaraeurope.com  
Phone +39 0444 706811 - Fax +39 0444 405811

#### CENTRAL Region:

(Toscana, Umbria, Marche, Lazio, Abruzzo, Molise)  
Regional Manager cell.: +39 335 6423286  
e-mail: centro@ebaraeurope.com  
Phone +39 0444 706811 - Fax +39 0444 405811

#### SOUTH Region:

(Campania, Basilicata, Puglia, Calabria, Sicilia)  
Regional Manager cell.: +39 335 6423316  
e-mail: sud@ebaraeurope.com  
Phone +39 0444 706811 - Fax +39 0444 405811

#### INDUSTRIAL Division:

Manager cell.: +39 335 6423302  
e-mail: industry@ebaraeurope.com  
Phone +39 0444 706811 - Fax +39 0444 405811

#### WASTEWATER Division:

Manager cell.: +39 335 6423290  
e-mail: ses@ebaraeurope.com  
Phone +39 0444 706811 - Fax +39 0444 405811

#### MILANO Branch:

Via Lainate, 62  
20017 Rho (MI)  
Phone +39 02 93507358 - Fax +39 0444 405975  
Branch Manager cell.: +39 335 6423326  
e-mail: mktgmi@ebaraeurope.com

#### CAGLIARI Branch:

Via del Fangario, 29  
09122 Cagliari  
Phone +39 070 274281 - Fax +39 0444 405960  
Branch Manager cell.: +39 335 6423320  
e-mail: mktgca@ebaraeurope.com

#### PALERMO Branch

Via Don L. Sturzo, 181/183  
Z.I. - 90044 Carini (PA)  
Phone +39 091 8669790 - Fax +39 0444 405980  
Branch Manager cell.: +39 335 6423316  
e-mail: mktgpa@ebaraeurope.com

### EXPORT NETWORK

#### EBARA Pumps Europe S.p.A. UNITED KINGDOM

Unit 7 - Zodiac Business Park  
High Road - Cowley Uxbridge  
Middlesex - UB8 2GU, United Kingdom  
Phone +44 1895 439027 - Fax +44 1895 439028  
e-mail: mktguk@ebaraeurope.com

#### EBARA ESPAÑA BOMBAS S.A.

C/Cormoranes 6 Y 8  
Poligono Ind. La Estación  
28320 Pinto (Madrid), Spain  
Phone +34 916.923.630 - Fax +34 916.910.818  
e-mail: marketing@ebara.es

#### EBARA Pumps Europe S.p.A. FRANCE

555, Rue Juliette Recamier  
69970 Chaponnay, France  
Phone +33 4 72769482 - Fax +33 805101071  
e-mail: mktgfr@ebaraeurope.com

#### EBARA Pumps Europe S.p.A. GERMANY

Ferdinand-Porsche-Ring 7  
63110 Rodgau-Jügesheim, Germany  
Phone +49 (0) 6106-660 99-0  
Fax +49 (0) 6106-660 99-45  
e-mail: mktgde@ebaraeurope.com

#### EBARA POMPY POLSKA Sp. z o.o.

ul. Działkowa 115  
02-234 Warszawa, Poland  
Phone +48 22 3909920 - Fax +48 22 3909929  
e-mail: mktgpl@ebaraeurope.com

#### EBARA Pumps Europe S.p.A. MIDDLE EAST

P.O. Box 54515  
Dubai Airport Free Zone  
Dubai, United Arab Emirates  
Phone +971 4 609 1040 - Fax +971 4 609 1038  
e-mail: mktgme@ebaraeurope.com

#### EBARA Pumps Europe S.p.A. SAUDI ARABIA

Al Sitteen Street,  
Al Jazeera commercial center, building #2, First floor  
Jeddah, KSA  
Phone/Fax +966 2 664 9755

#### EBARA Pumps Europe S.p.A INDIA LIAISON OFFICE

Bhumiraj Costarica,  
Room No. 1503, Sector -18,  
Palm Beach Rd., Sanpada,  
Navi Mumbai, Maharashtra, India  
Phone +91 22 27812862/63/64  
Fax +91 22 27812865  
e-mail: mktgind@ebaraeurope.com

#### EBARA Pumps Europe S.p.A. RUSSIA

Phone +7 985 7672672  
e-mail: mktgrus@ebaraeurope.com



### EBARA Pumps Europe S.p.A.

Via Pacinotti, 32  
36040 Brendola (Vicenza), Italy  
Phone +39 0444 706811 - Fax +39 0444 405811  
e-mail: marketing@ebaraeurope.com  
www.ebaraeurope.com



### EBARA Corporation

11-1, Haneda Asahi-cho, Ohta-ku,  
Tokyo 144-8510  
Japan  
Phone +81 3 6275 7598 - Fax +81 3 5736 3193  
www.ebara.com