

STAINLESS STEEL SEMI-VORTEX SUBMERSIBLE PUMPS



APPLICATIONS

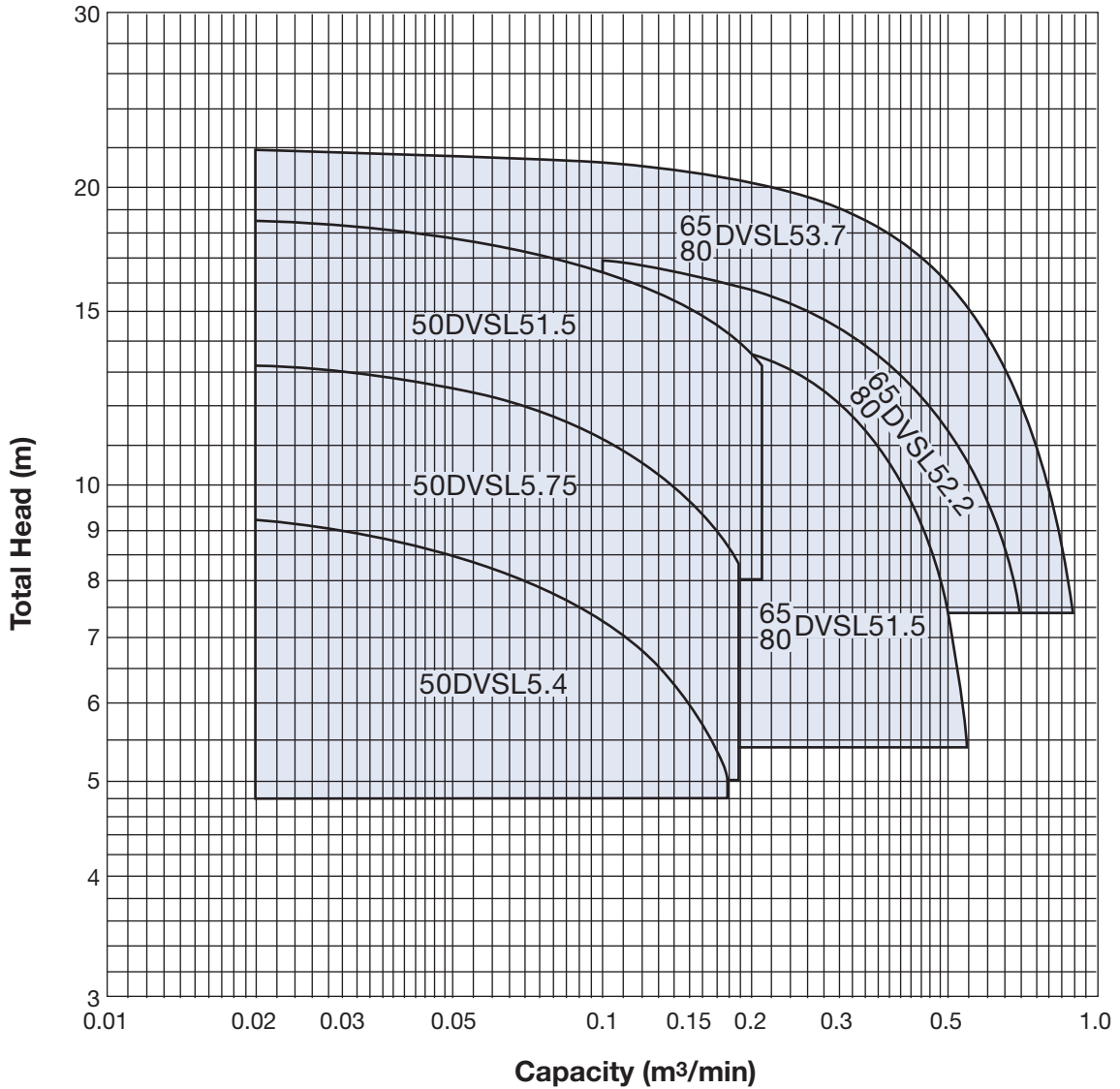
- Waste water sump in factory
- Waste water sump in hospital & laboratory
- Liquid transfer in food factory

ADVANTAGE

- Main component is stainless steel. Rust resistant and capable of withstanding corrosion for light chemical duty.
- Foreign particles 60% - 70% of discharge diameter size can pass through due to semi-vortex impeller.
- Easy maintenance with Quick Discharge Connector is possible as option.

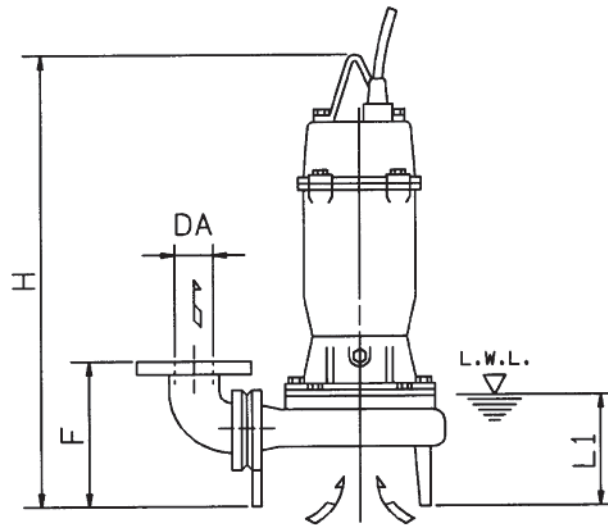
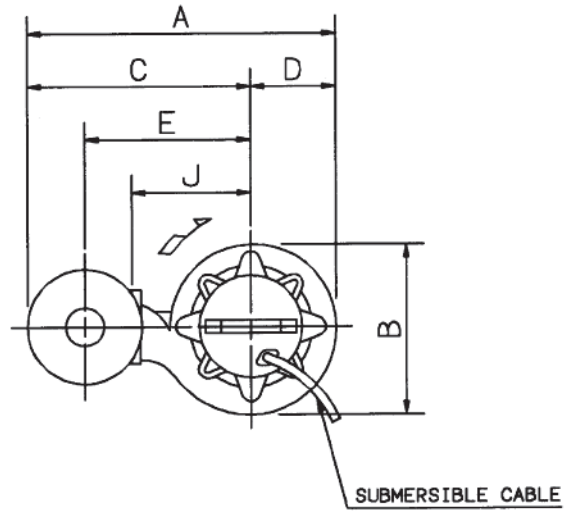
STANDARD SPECIFICATIONS

Discharge Size			50	65	80
Liquid Handled	Liquid medium		Several kinds of liquid with foreign particles (pH 5-9)		
	Temperature		0°C ~ 4°C		
	Foreign particle Max. size	Spherical size	70% of Pump Discharge Size		
Fiber length		150mm	200mm (over 2.2kW)		
Max. Submergence			4m: 1.5kW	8m: 2.2kW	
Pump	Construction	Impeller	Semi-vortex		
		Shaft seal	Double mechanical seal		
		Bearing	Sealed ball bearings		
	Material	Casing impeller	SCS13		
		Shaft seal	SiC/SiC: lower side Ceramic vs carbon : upper side NBR : Rubber		
Motor	Type/pole		Airfilled submersible motor / 2 Pole		
	Phase		3 phase		
	Voltage		415V		
	Material	Frame	SCS13		
		Shaft	SUS304		
Cable		VCT : 1.5kW and below Anti-heat VCT: 2.2kW and above			
Flange			JIS 10K thin type		
Standard Accessories		Common base (1), Submersible cable (0.4 - 1.5kW) - 6m, (2.2 - 3.7kW) - 10m, Discharge elbow (SCS13) (1), Companion flange (stainless steel) (1set)			

SELECTION CHART 3000 min⁻¹
50Hz


Size mm	Model	Output kW	Capacity m ³ /min	Total Head m	Capacity m ³ /min	Total Head m	QDC Model
50	50DVSL5.4	0.4	0.020	9.2	0.180	5.1	LM50
	50DVSL5.75	0.75	0.020	13.2	0.190	8.3	
	50DVSL51.5	1.5	0.020	18.4	0.210	13.2	
65	65DVSL51.5	1.5	0.180	13.8	0.550	5.4	LM65
	65DVSL52.2	2.2	0.100	16.9	0.700	7.5	
	65DVSL53.7	3.7	0.020	21.8	0.900	7.4	
80	80DVSL51.5	1.5	0.180	12.8	0.550	5.4	LM65
	80DVSL52.2	2.2	0.100	16.9	0.700	7.5	
	80DVSL53.7	3.7	0.020	21.8	0.900	7.4	

DIMENSION

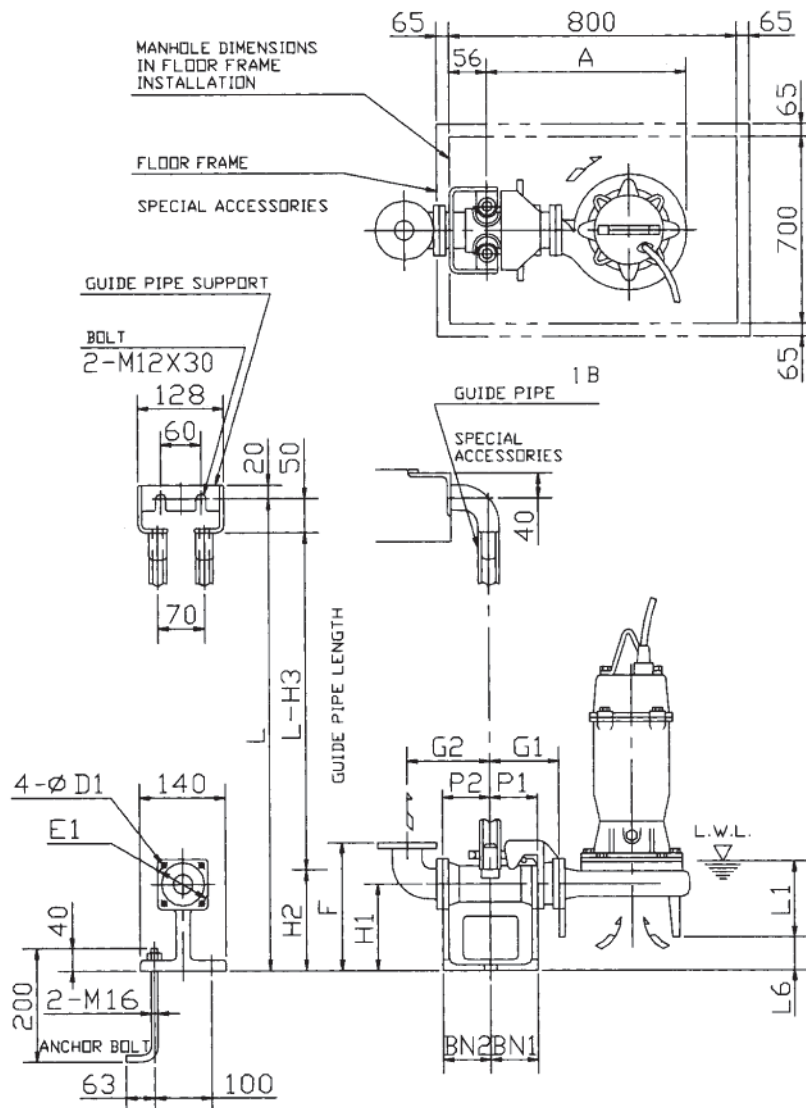


Unit : mm

Size DA	Pump model	Output kW	Pump & motor									Weight Kg
			A	B	C	D	E	F	H	J	L1	
50	50DVSL5.4	0.4	344	160	253	91	175	150	457	120	105	20
	50DVSL5.75	0.75	355	173	268	87	190	150	456	135	105	22
	50DVSL51.5	1.5	355	173	268	87	190	150	498	135	105	27
65	65DVSL51.5	1.5	396	195	268	98	210	178	534	145	125	32
	65DVSL52.2	2.2	427	227	313	114	225	201	642	160	155	55
	65DVSL53.7	3.7	427	227	313	114	225	201	642	160	155	59
80	80DVSL51.5	1.5	411	195	313	98	220	183	534	145	125	33
	80DVSL52.2	2.2	422	227	328	114	235	206	642	160	155	56
	80DVSL53.7	3.7	442	227	328	114	235	206	642	160	155	60

Remark: Operation time should be within 10 min at L.W.L

DIMENSION WITH QDC



With QDC

Unit : mm

Size	QDC Model	Pump model	With QDC															Weight kg
			A	P1	P2	G1	G2	F	H1	H2	H3	L1	L6	BN1	BN2	D1	E1	
50	LM50	50DVSL5.4	326	75	80	115	135	230	135	165	215	105	80	75	80	12	120	11
		50DVSL5.75	337	75	80	115	135	230	135	165	215	105	80	75	80	12	120	11
		50DVSL51.5	337	75	80	115	135	230	135	165	215	105	80	75	80	12	120	11
65	LM65	65DVSL51.5	363	75	95	120	160	250	145	190	240	125	72	75	95	12	140	14
		65DVSL52.2	394	75	95	120	160	250	145	190	240	155	49	75	95	12	140	14
		65DVSL53.7	394	75	95	120	160	250	145	190	240	155	49	75	95	12	140	14
80	LM65	80DVSL51.5	363	75	95	120	170	55	145	190	240	125	72	75	95	12	140	14
		80DVSL52.2	394	75	95	120	170	255	145	190	240	155	49	75	95	12	140	14
		80DVSL53.7	394	75	95	120	170	255	145	190	240	155	49	75	95	12	140	14

Remark: Weight shows QDC only