



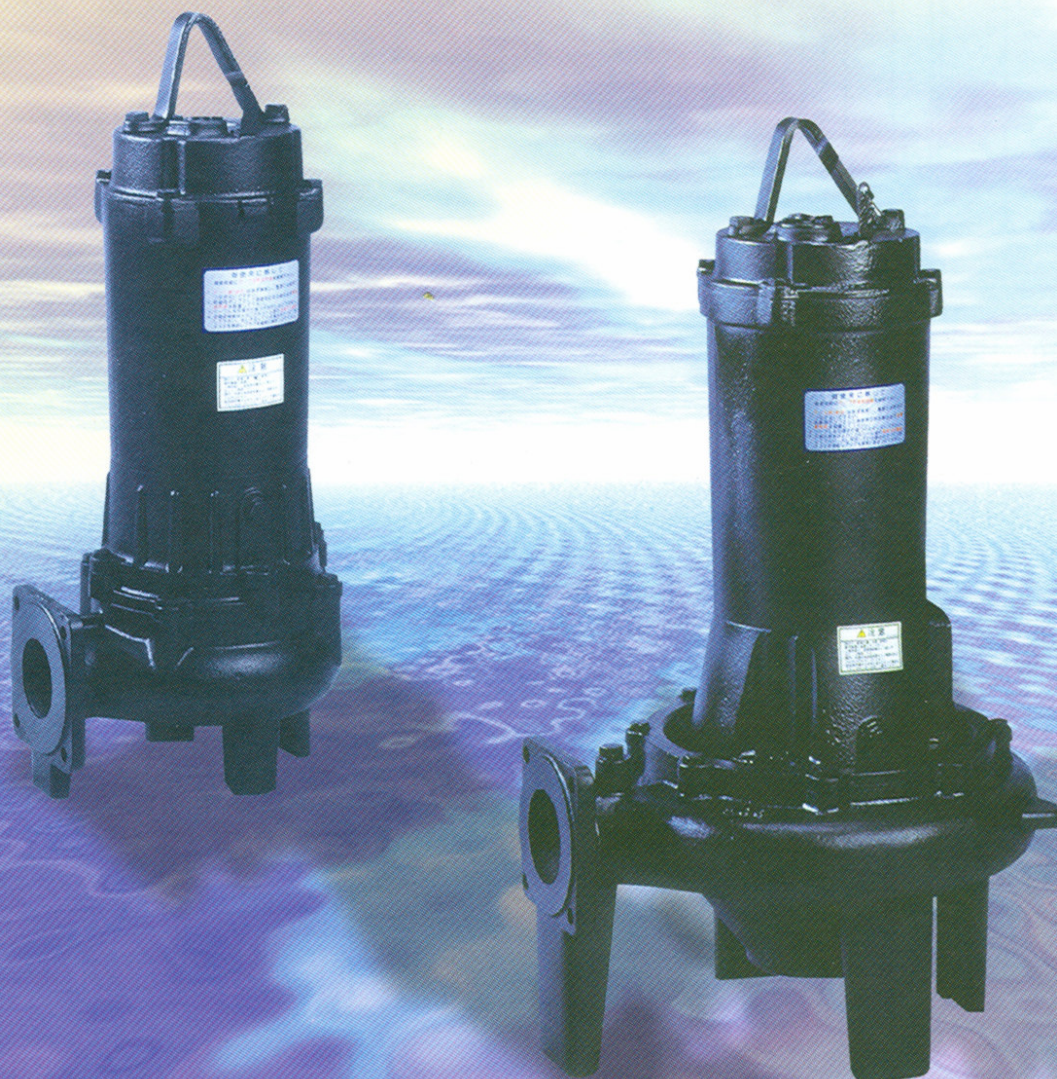
EBARA

SCF0065EA

D'SERIES SUBMERSIBLE PUMP

Model **DML**

60Hz

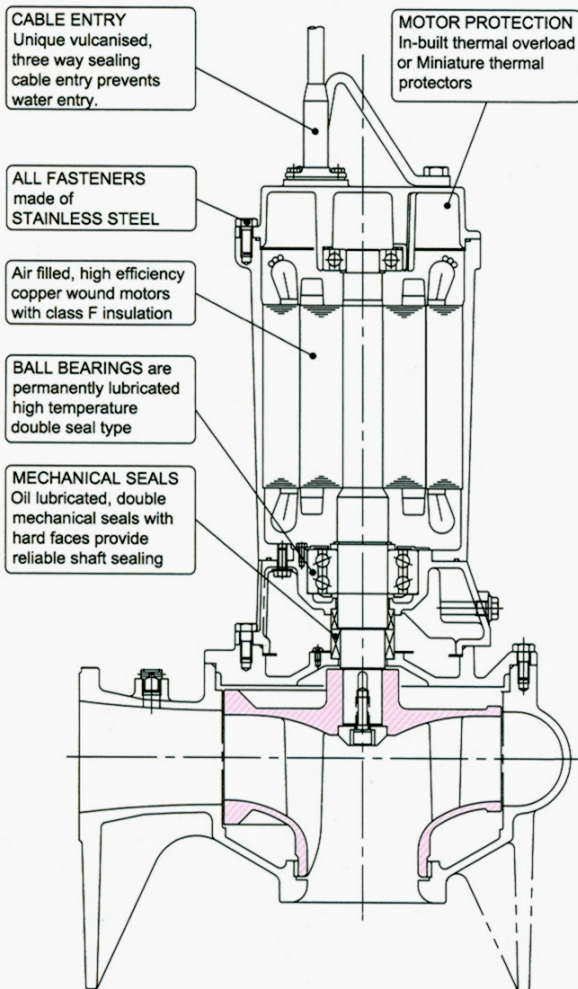


FEATURES

- Non -Clog Single channel Impeller 3" passage.
- Range models up to 150mm discharge.
- Dry pit is available as optional.

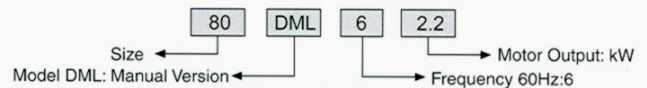
APPLICATIONS

- Sewage
- Waste water

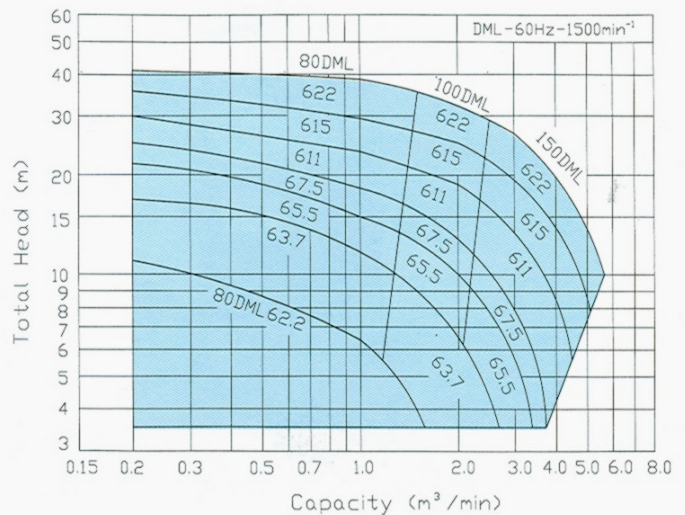


Pump			
Model	DML		
Liquid Handled	Type of liquid	Sewage, Wastewater	
	Temperature	0 °C ~ 40 °C	
	Pump size : Max solids size	76mm	
Maximum Submergence	8m		
Minimum Submergence	Refer to water level (L.W.L) in Dimensions on technical data. Possible operate for 30 min.		
Synchronous Speed	1500min ⁻¹		
Construction	Mechanical Seal	Double mechanical seal	
	Impeller	Single channel non-clog	
	Bearing	Prelubricated bearing	
Material	Casing	Cast iron	
	Impeller	Cast iron	
	Shaft	403 Stainless Steel	
	Mechanical seal	Impeller side	Silicon carbide
		Motor side	Ceramic / Carbon
	Packing	NBR	
Motor			
Type	4 pole, air-filled watertight		
Insulation	Class F		
Starting method	2.2kW: Direct on line 3.7kW and above : Star-Delta		
Protection	Build in overload protector (2.2kW) ; Build-in temperature detector protection (3.7 ~ 22kW)		
Accessories			
Standard	Cast Iron Companion flange with bolts, Submersible cable (10m)		
Optional	Quick discharge connector, Float switch, Leakage detector, Dry pit type		

MODEL CODE



PERFORMANCE CHART



Note: All specifications subject to change without prior notice.



EBARA BENGUET, INC.

Canlubang Industrial Estate
 Cabuyao 4025, Laguna Philippines
 P.O. Box 3461 MCPO 1274 Makati City
 Tel No: (02) 6800-6037, (02) 832-6230
 (02) 832-8891, (049) 549-1806
 Fax No: (02) 552-7905, (049) 549-1915
 Email: pumpsales@ebaraphilippines.com
 Website: www.ebaraphilippines.com