



**EBARA**

CF3208UI

# SUBMERSIBLE SEWAGE PUMPS

Model **DL**



Model DL  
Manual type

Model DLJ  
Parallel  
Alternate type

Model DLA  
Automatic type

## APPLICATIONS

- Sewage
- Kitchen drains
- Industrial water drainage

## FEATURES

1. Unique impeller design prevents overload under severe operating conditions. Semi-open Non-clog impellers prevent pump clog by foreign matter.
2. The protective device built into the motor prevents the motor from burning out as a result of overcurrent or abnormal temperature rise of the coil. (Refer to the last page of this catalog for details.)
3. Optional quick discharge connecter facilitates installation and maintenance.

## ACCESSORIES

- Submersible cable (10m)
- Companion flange (1 set)

## STANDARD SPECIFICATIONS

Treated liquid: Sewage and wastewater

Liquid temperatures:

Model DL DLA	0.4 ~ 22kW	0 ~ 40℃
Model DLJ	0.4 ~ 3.7kW	0 ~ 32℃

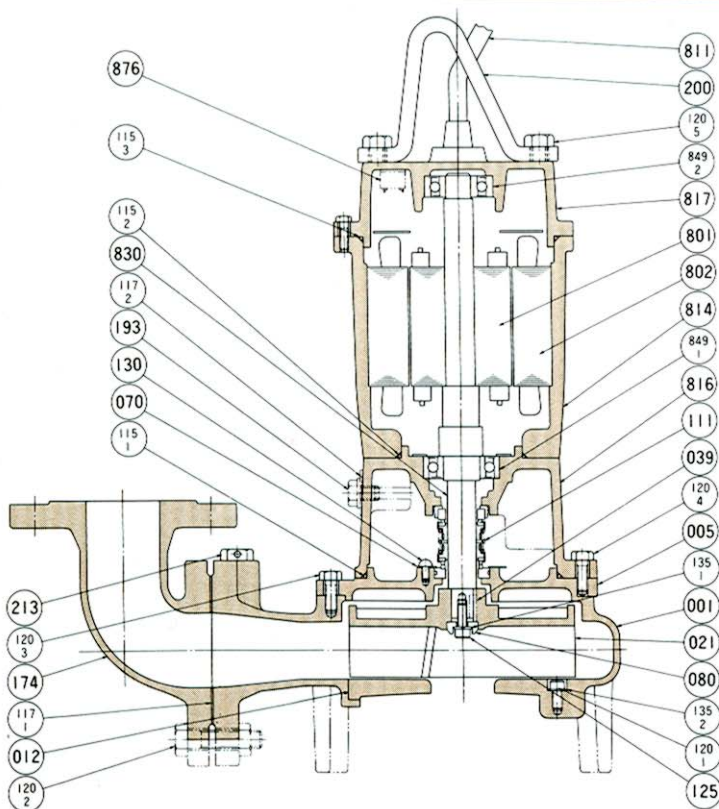
Structure	Impeller	Semi-open, Non-clog
	Shaft seal	Double mechanical seal
Flange	Rating	JIS B2210: JIS10K thin type
Materials	Casing	Cast iron
	Impeller	Cast iron
	Shaft	420 stainless steel: 0.4 to 0.75kW 403 stainless steel: 1.5 to 22kW
	Motor	Type Ins. class Protection
	Type	Air filled watertight
	Ins. class	E
	Protection	Built-in overload protection (up to 7.5kW) Built-in temperature detector protection (11 to 45kW)

Number poles 4-pole

Maximum spherical solids

Model	Solid dia mm	Model	Solid dia mm
50DL	35	100DLB	60
65DL	40	150DL	70
80DL	50	200DL	75
100DLC	50	250DL	82
100DL	60	300DL	90

## SECTIONAL VIEW



PART NO.	PART NAME	PART NO.	PART NAME
001	CASING	125	BOLT
005	INTERMEDIATE CASING	130	SCREW
012	SUCTION COVER	135-1	WASHER
021	IMPELLER	135-2	WASHER
039	KEY	174	DISCHARGE ELBOW
070	PLATE	193	OIL PLUG
080	BUSHING	200	LIFTING HANGER
111	MECHANICAL SEAL	213	AIR VENT VALVE
115-1	"O" RING	801	ROTOR
115-2	"O" RING	802	STATOR
115-3	"O" RING	811	SUBMERSIBLE CABLE
117-1	GASKET	814	MOTOR FRAME
117-2	GASKET	816	BRACKET
120-1	BOLT	817	BRACKET
120-2	BOLT	830	SHAFT
120-3	BOLT	849-1	BALL BEARING
120-4	BOLT	849-2	BALL BEARING
120-5	BOLT	876	THERMAL PROTECTOR



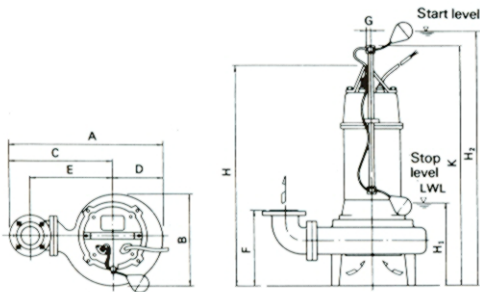
# AUTOMATIC TYPE



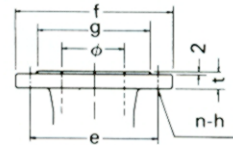
## Features

- Automatic operation without use of control panel.
- Since a control panel is unnecessary, operation can begin as soon as the pumps are installed and connected to a power source.
- A highly reliable float switch, impervious to sewage and impurities, used for water surface level detection, prevents dry operation.

## Dimensions



## Flange



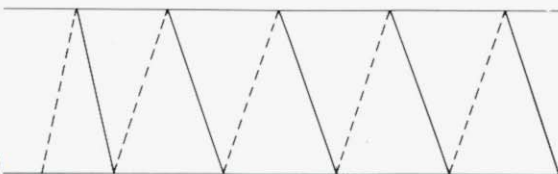
Unit : mm

$\phi$	e	f	g	t	n	h
50	120	155	96	18	4	15
65	140	175	116	18	4	15
80	150	185	126	18	8	15
100	175	210	151	20	8	15

Frequency Hz	Size $\phi$	Model	Output kW	Pump and motor											Weight (Mass) kg
				A	B	C	D	E	F	G	H <sub>1</sub>	H <sub>2</sub>	H	K	
50	50	50DLA5.4	0.4	393	222	283	110	205	175	25	250	650	555	630	33
		50DLA5.75	0.75	411	239	293	118	215	175	25	250	650	555	630	36
	80	65DLA51.5	1.5	497	291	353	144	265	200	20	320	860	662	840	55
		80DLA51.5	1.5	524	292	378	146	285	220	20	320	860	683	840	58
		80DLA52.2	2.2	542	308	388	154	295	220	20	320	860	728	840	70
100	80DLA53.7	3.7	567	328	403	164	310	220	20	320	860	761	840	78	
	100DLA53.7	3.7	614	335	445	169	340	250	20	320	860	780	840	85	
60	50	50DLA6.4	0.4	373	208	273	100	195	175	25	250	650	557	630	32
		50DLA6.75	0.75	393	222	283	110	205	175	25	250	650	555	630	35
	80	65DLA61.5	1.5	462	258	333	129	245	200	20	320	860	662	840	51
		80DLA61.5	1.5	524	292	378	146	285	220	20	320	860	683	840	58
		80DLA62.2	2.2	524	292	378	146	285	220	20	320	860	729	840	68
	100	80DLA63.7	3.7	542	308	388	154	295	220	20	320	860	761	840	76
		100DLA63.7	3.7	614	335	445	169	340	250	20	320	860	780	840	85

Unit : mm

## Automatic Operation

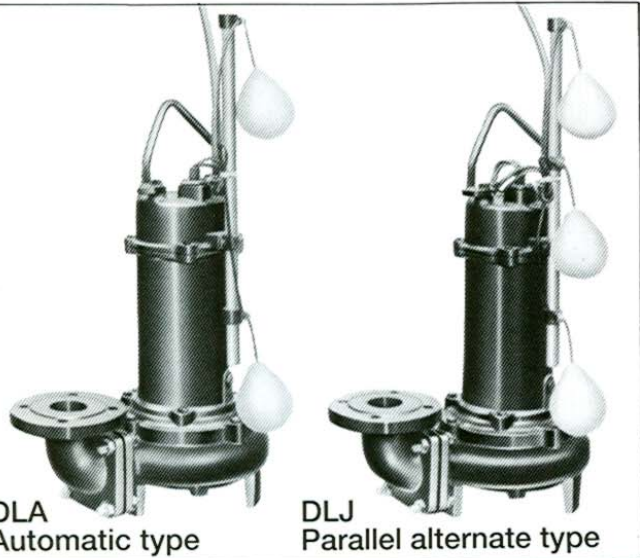


### Pump operation

⊙ Discharge

Intake	⊙	Intake	⊙	Intake	⊙	Intake	⊙	Intake	⊙
OFF	ON	OFF	ON	OFF	ON	OFF	ON	OFF	ON

# PARALLEL ALTERNATE DEVICE TYPE (Built-in Operating Apparatus)



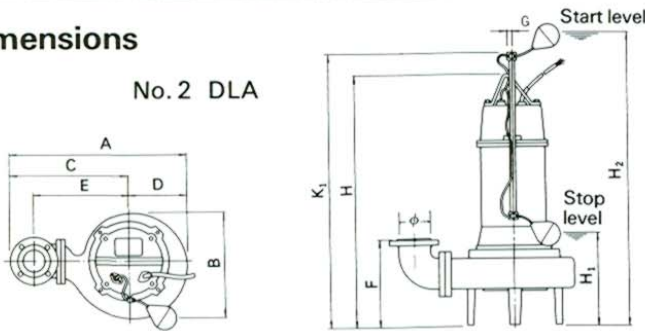
DLA Automatic type

DLJ Parallel alternate type

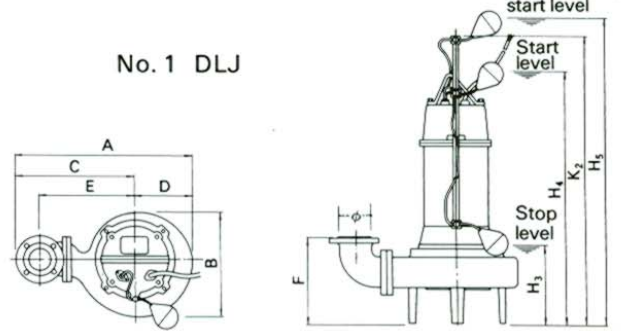
## Features

- Automatic, automatic alternating and parallel operation without use of control panel.
- Since a control panel is unnecessary, operation can begin as soon as the pumps are installed and connected to a power source.
- Pumps will automatically begin parallel operation with abnormal increase in water volume to prevent flooding.
- If, for some reason, one of the pumps should break down, the other pump will continue to operate on its own.
- A highly reliable float switch, impervious to sewage and impurities, used for water surface level detection, prevents dry operation.

## Dimensions



No. 2 DLA

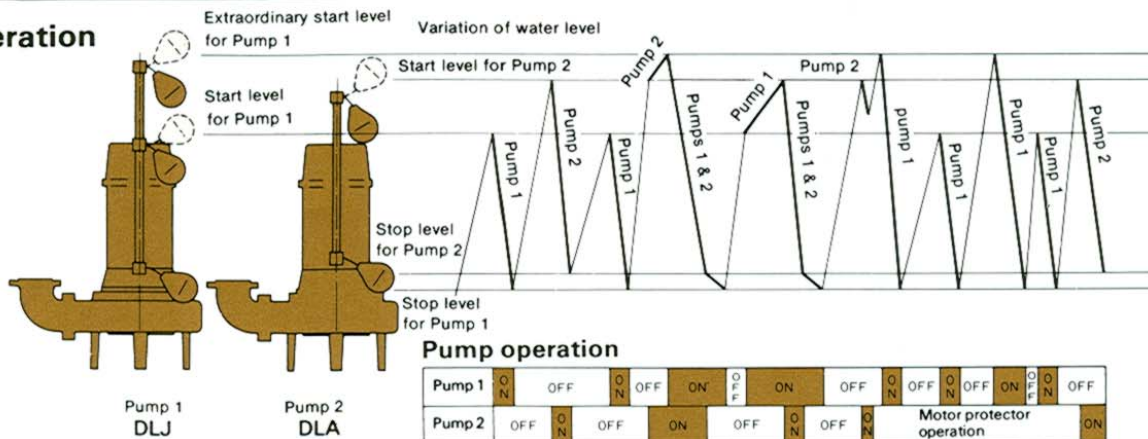


No. 1 DLJ

Unit : mm

Frequency Hz	Size $\phi$	Model	Output kW	Pump and motor															Weight [Mass] kg	
				A	B	C	D	E	F	G	H	K <sub>1</sub>	H <sub>1</sub>	H <sub>2</sub>	K <sub>2</sub>	H <sub>3</sub>	H <sub>4</sub>	H <sub>5</sub>	No. 1	No. 2
50	50	50DLJ5.4	0.4	393	222	283	110	205	175	25	555	630	250	650	740	220	570	760	33	33
		50DLJ5.75	0.75	411	239	293	118	215	175	25	555	630	250	650	740	220	570	760	36	36
	65	65DLJ51.5	1.5	497	291	353	144	265	200	20	662	840	320	860	950	290	780	970	55	55
		80DLJ51.5	1.5	524	292	378	146	285	220	20	683	840	320	860	950	290	780	970	58	58
	80	80DLJ52.2	2.2	542	308	388	154	295	220	20	728	840	320	860	950	290	780	970	70	70
		80DLJ53.7	3.7	567	328	403	164	310	220	20	761	840	320	860	950	290	780	970	78	78
100	100DLJ53.7	3.7	614	335	445	169	340	250	20	780	840	320	860	950	290	780	970	85	85	
60	50	50DLJ6.4	0.4	373	208	273	100	195	175	25	557	630	250	650	740	220	570	760	32	32
		50DLJ6.75	0.75	393	222	283	110	205	175	25	555	630	250	650	740	220	570	760	35	35
	65	65DLJ61.5	1.5	462	258	333	129	245	200	20	662	840	320	860	950	290	780	970	51	51
		80DLJ61.5	1.5	524	292	378	146	285	220	20	683	840	320	860	950	290	780	970	58	58
	80	80DLJ62.2	2.2	524	292	378	146	285	220	20	729	840	320	860	950	290	780	970	68	68
		80DLJ63.7	3.7	542	308	388	154	295	220	20	761	840	320	860	950	290	780	970	76	76
100	100DLJ63.7	3.7	614	335	445	169	340	250	20	780	840	320	860	950	290	780	970	85	85	

## Operation

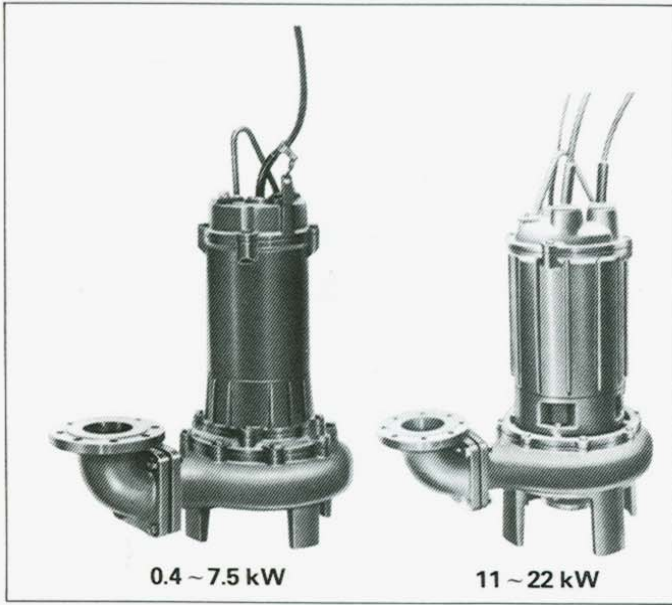


### Pump operation

Pump 1	ON	OFF	OFF	ON	OFF	ON	OFF	OFF	ON	OFF	OFF	ON	OFF	OFF	ON	OFF	OFF	ON	OFF
Pump 2	OFF	ON	OFF	ON	OFF	ON	OFF	ON	OFF	ON	OFF	ON	OFF	ON	OFF	ON	OFF	ON	OFF

Normal automatic alternating operation      Parallel operation at time of extraordinary flooding      Pump 2 motor protector operation Pump 1 independent operation

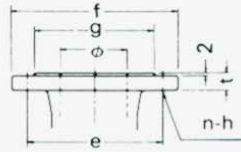
# MANUAL TYPE



## Dimensions

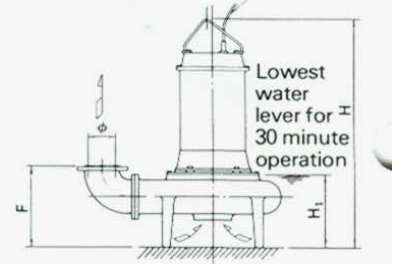
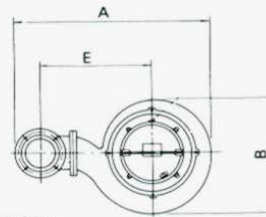
Unit : mm

### Flange



φ	e	f	g	t	n	h
50	120	155	96	18	4	15
65	140	175	116	18	4	15
80	150	185	126	18	8	15
100	175	210	151	20	8	15
150	240	280	212	22	8	19
200	290	330	262	26	12	23
250	355	400	324	30	12	25
300	400	445	368	32	16	25

### Submersible cable



## 50Hz

Unit : mm

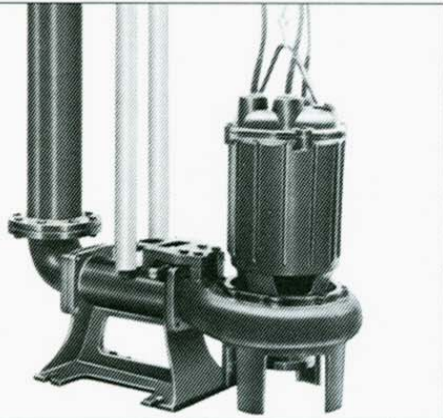
Size φ	Model	Output kW	Pump and motor						Weight (Mass) kg
			A	B	E	F	H	H <sub>1</sub>	
50	50DL5.4	0.4	393	222	205	175	510	120	31
	50DL5.75	0.75	411	239	215	175	510	120	34
65	65DL51.5	1.5	497	291	265	200	576	140	52
	65DL511	11	640	414	345	215	864	260	167
	65DL515	15	696	486	365	215	948	280	210
	65DL518	18.5	696	486	365	215	932	280	231
	65DL522	22	696	486	365	215	932	280	240
	65DL55.5	5.5	573	339	315	215	765	260	117
	65DL57.5	7.5	640	414	345	215	765	260	140
	65DL575	7.5	640	414	345	215	864	260	167
80	80DL51.5	1.5	524	292	285	220	597	165	55
	80DL52.2	2.2	542	308	295	220	654	165	67
	80DL53.7	3.7	567	328	310	220	687	165	75
	80DL55.5	5.5	588	339	325	220	765	260	119
	80DL55.5	5.5	618	379	335	307	753	205	134
	80DL57.5	7.5	655	414	355	220	765	260	142
	80DL57.5	7.5	648	399	355	305	751	205	148
	80DL511	11	655	414	355	220	864	260	169
	80DL515	15	711	486	375	220	948	280	212
	80DL518	18.5	711	486	375	220	932	280	233
80DL522	22	711	486	375	220	932	280	242	
100	100DL53.7	3.7	614	335	340	250	706	185	79
	100DL55.5	5.5	660	379	365	322	753	205	134
	100DL57.5	7.5	690	399	385	320	751	205	148
	100DL55.5	5.5	646	369	355	323	768	205	123
	100DL57.5	7.5	673	385	375	323	760	205	141
	100DL511	11	701	402	395	323	859	205	180
	100DL515	15	741	441	415	330	954	205	230
	100DL518	18.5	741	441	415	330	958	205	285
150	150DL55.5	5.5	750	398	410	381	799	245	146
	150DL57.5	7.5	780	418	430	377	784	245	158
	150DL511	11	810	438	450	377	883	245	199
	150DL515	15	810	438	450	377	972	245	237
	150DL518	18.5	848	476	470	381	979	245	300
150DL522	22	848	476	470	381	979	245	325	
200	200DL55.5	5.5	832	430	450	414	826	285	160
	200DL57.5	7.5	863	453	470	410	809	285	176
	200DL511	11	863	453	470	410	908	285	212
	200DL515	15	896	479	490	411	995	285	260
	200DL518	18.5	932	512	510	415	1001	285	305
	200DL522	22	932	512	510	415	1001	285	330
250	250DL57.5	7.5	969	525	500	622	904	400	260
	250DL511	11	993	541	520	634	1000	400	320
	250DL515	15	1007	549	530	646	1086	400	380
	250DL518	18.5	1007	549	530	646	1089	400	420
	250DL522	22	1007	549	530	646	1089	400	440
300	300DL511	11	1100	588	575	671	1050	450	365
	300DL515	15	1100	588	575	671	1131	450	395
	300DL518	18.5	1135	618	595	668	1131	450	440
	300DL522	22	1135	618	595	668	1131	450	465

## 60Hz

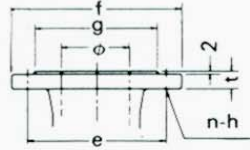
Unit : mm

Size φ	Model	Output kW	Pump and motor						Weight (Mass) kg
			A	B	E	F	H	H <sub>1</sub>	
50	50DL6.4	0.4	373	208	195	175	512	120	30
	50DL6.75	0.75	393	222	205	175	510	120	33
65	65DL61.5	1.5	462	258	245	200	576	140	48
	65DL65.5	5.5	573	339	315	215	765	260	115
	65DL67.5	7.5	573	339	315	215	765	260	118
	65DL611	11	640	414	345	215	864	260	165
	65DL615	15	654	441	345	215	948	280	190
	65DL618	18.5	654	441	345	215	932	280	211
	65DL622	22	696	486	365	215	932	280	237
	65DL61.5	1.5	524	292	285	220	597	165	55
80	80DL62.2	2.2	524	292	285	220	655	165	65
	80DL63.7	3.7	542	308	295	220	687	165	73
	80DL65.5	5.5	588	339	325	220	765	260	117
	80DL65.5	5.5	567	328	310	220	767	165	118
	80DL67.5	7.5	588	339	325	220	765	260	120
	80DL67.5	7.5	618	379	335	307	753	205	146
	80DL611	11	655	414	355	220	864	260	167
	80DL611	11	648	399	355	305	850	205	183
	80DL615	15	669	441	355	220	948	280	192
	80DL618	18.5	669	441	355	220	932	280	213
80DL622	22	711	486	375	220	932	280	239	
100	100DL63.7	3.7	614	335	340	250	706	185	79
	100DL65.5	5.5	614	335	340	250	791	185	121
	100DL67.5	7.5	660	379	365	322	753	205	146
	100DL67.5	7.5	646	369	355	323	768	205	132
	100DL611	11	690	399	385	320	850	205	183
	100DL611	11	673	385	375	323	859	205	179
	100DL615	15	673	385	375	323	948	205	208
	100DL618	18.5	701	402	395	323	951	205	245
100DL622	22	701	402	395	323	951	205	268	
150	150DL65.5	5.5	750	398	410	381	799	245	143
	150DL67.5	7.5	750	398	410	381	799	245	155
	150DL611	11	750	398	410	381	898	245	182
	150DL615	15	780	418	430	377	972	245	225
	150DL618	18.5	810	438	450	377	975	245	262
	150DL622	22	810	438	450	377	975	245	287
200	200DL67.5	7.5	832	430	450	414	826	285	170
	200DL611	11	832	430	450	414	925	285	215
	200DL615	15	863	453	470	410	997	285	240
	200DL618	18.5	863	453	470	410	1000	285	278
	200DL622	22	896	479	490	411	998	285	310
	200DL611	11	969	525	500	622	1003	400	300
250	250DL6B15	15	969	525	500	622	1084	400	330
	250DL6C15	15	993	541	520	634	1089	400	350
	250DL618	18.5	993	541	520	634	1092	400	390
	250DL622	22	993	541	520	634	1092	400	420
300	300DL618	18.5	1100	588	575	671	1134	450	430
	300DL622	22	1100	588	575	671	1134	450	455

# MODEL DL WITH QUICK DISCHARGE CONNECTOR



## Dimensions



**Flange** Unit : mm

φ	e	f	g	t	n	h
50	120	155	96	18	4	15
65	140	175	116	18	4	15
80	150	185	126	18	8	15
100	175	210	151	20	8	15
150	240	280	212	22	8	19
200	290	330	262	26	12	23
250	355	400	324	30	12	25
300	400	445	368	32	16	25

## Features

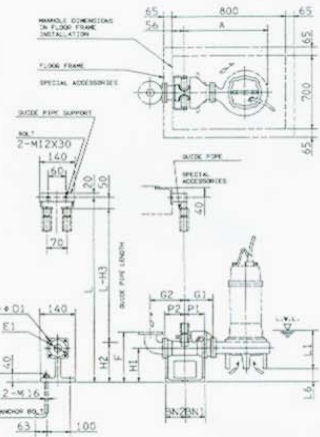
1. Pump mounting and demounting can be performed safely and quickly outside the tank.
2. Smaller expense is required for checking and repair, as it is not necessary to empty the tank.
3. The pump can be mounted securely by using a guide rail.

## • Composition of quick discharge connector

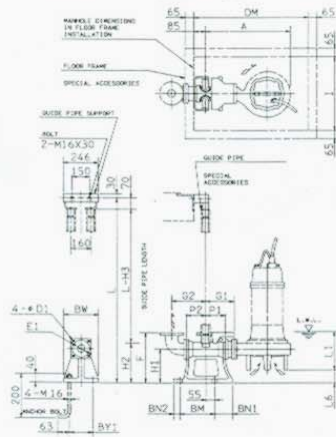
With Device		With Pump	
Device proper	1 set	Sliding guide	1 set
Guide pipe fastening hardware	1 set	Pump mounting/demounting flange	1 set
Flange with bolts	1 set	Pump lifting chain	1 set

\* Floor frame, floor plate (for 1 ~ 4 pumps) and guide pipe (white gas pipe or stainless steel pipe) are available as optional accessories.

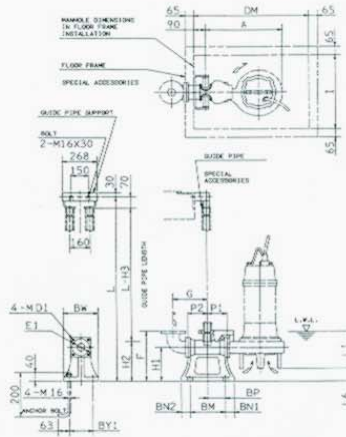
### QDC-LM50, LM65, LM80



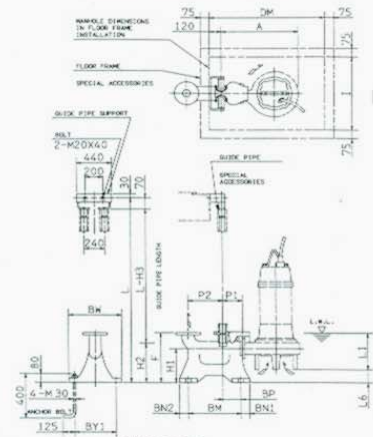
### QDC-LL65, LL80, LL100



### QDC-LL125, LL150



### QDC-LL250, LL300



50Hz

Size φ	QDC model	Pnmp model	Quick discharge connector														Unit : mm	
			A	P1	P2	G1	G2	F	H1	H2	H3	L1	L6	BN1	BN2	D1	E1	Weight (Mass) kg
50	LM50	50DL5.4	375	75	80	115	135	230	135	165	215	120	55	75	80	12	120	11
		50DL5.75	393	75	80	115	135	230	135	165	215	120	55	75	80	12	120	11
		50DL5.15	464	75	95	120	160	250	145	190	240	140	50	75	95	12	140	14
65	LM65	65DL5.1	481	75	90	125	165	285	175	230	280	165	65	75	90	15	155	17
		65DL5.2	499	75	90	125	165	285	175	230	280	165	65	75	90	15	155	17
		65DL5.7	524	75	90	125	165	285	175	230	280	165	65	75	90	15	155	17

Size φ	QDC model	Pnmp model	Quick discharge connector																	Unit : mm			
			A	P1	P2	G1	G2	F	H1	H2	H3	L1	L6	BN1	BN2	BM	BY1	BW	DM	I	D1	E1	Weight (Mass) kg
65	LL65	65DLD55.5	605	105	125	185	190	315	210	240	310	260	100	100	40	195	160	210	800	700	12	140	41
		65DLD57.5	672	105	125	185	190	315	210	240	310	260	100	100	40	195	160	210	1000	700	12	140	41
		65DL511	728	105	125	185	190	315	210	240	310	280	100	100	40	195	160	210	1000	700	12	140	41
		65DL515	728	105	125	185	190	315	210	240	310	280	100	100	40	195	160	210	1000	700	12	140	41
		65DL518	728	105	125	185	190	315	210	240	310	280	100	100	40	195	160	210	1000	700	12	140	41
		65DL522	728	105	125	185	190	315	210	240	310	280	100	100	40	195	160	210	1000	700	12	140	41
80	LL65	80DLD55.5	605	105	125	185	200	320	210	240	310	260	100	100	40	195	160	210	800	700	12	140	41
		80DLD57.5	635	105	120	185	195	350	240	255	325	205	43	100	40	220	180	230	800	700	15	155	44
		80DLD511	672	105	125	185	200	320	210	240	310	260	100	100	40	195	160	210	1000	700	12	140	41
	LL80	80DLC57.5	665	105	120	185	195	350	240	255	325	205	45	100	40	220	180	230	800	700	15	155	44
		80DL511	672	105	125	185	200	320	210	240	310	260	100	100	40	195	160	210	1000	700	12	140	41
		80DL518	728	105	125	185	200	320	210	240	310	280	100	100	40	195	160	210	1000	700	12	140	41
100	LL100	100DL511	672	105	125	185	200	320	210	240	310	260	100	100	40	195	160	210	1000	700	12	140	41
		100DL515	728	105	125	185	200	320	210	240	310	280	100	100	40	195	160	210	1000	700	12	140	41
		100DL522	728	105	125	185	200	320	210	240	310	280	100	100	40	195	160	210	1000	700	12	140	41
	LL100	100DL53.7	589	105	105	185	210	365	240	265	335	185	115	100	40	220	180	230	800	700	19	175	46
		100DLC55.5	635	105	120	185	225	365	240	255	325	205	43	100	40	220	180	230	800	700	15	155	44
		100DL511	672	105	125	185	200	320	210	240	310	280	100	100	40	195	160	210	1000	700	12	140	41

Size φ	QDC model	Pnmp model	Quick discharge connector																	Unit : mm			
			A	P1	P2	G	F	H1	H2	H3	L1	L6	BN1	BN2	BM	BP	BY1	BW	DM	I	D1	E1	Weight (Mass) kg
150	LL125	150DL55.5	635	155	195	325	450	290	362	432	245	69	60	60	370	165	280	330	1000	700	16	210	65
		150DL57.5	665	155	195	325	450	290	362	432	245	73	60	60	370	165	280	330	1000	700	16	210	65
		150DL511	695	155	195	325	450	290	362	432	245	73	60	60	370	165	280	330	1000	700	16	210	65
		150DL515	695	155	195	325	450	290	362	432	245	73	60	60	370	165	280	330	1000	700	16	210	65
		150DL518	733	155	195	325	450	290	362	432	245	69	60	60	370	165	280	330	1000	700	16	210	65
		150DL522	733	155	195	325	450	290	362	432	245	69	60	60	370	165	280	330	1000	700	16	210	65
200	LL150	200DL55.5	672	155	205	355	495	320	405	475	285	81	60	60	390	170	300	350	1100	800	16	250	80
		200DL57.5	703	155	205	355	495	320	405	475	285	85	60	60	390	170	300	350	1100	800	16	250	80
		200DL511	703	155	205	355	495	320	405	475	285	85	60	60	390	170	300	350	1100	800	16	250	80
		200DL515	736	155	205	355	495	320	405	475	285	84	60	60	390	170	300	350	1100	800	16	250	80
		200DL518	772	155	205	355	495	320	405	475	285	80	60	60	390	170	300	350	1100	800	16	250	80
		200DL522	772	155	205	355	495	320	405	475	285	80	60	60	390	170	300	350	1100	800	16	250	80

Size φ	QDC model	Pnmp model	Quick discharge connector																	Unit : mm	
			A	P1	P2	F	H1	H2	H3	L1	L6	BN1	BN2	BM	BP	BY1	BW	DM	I	D1	E1
250	LL250	250DL57.5	834	195	435	700	350	440	510	400	58	70	70	650	215	500	560	1200	900	150	
		250DL511	858	195	435	700	350	440	510	400	46	70	70	650	215	500	560	1200	900	150	
		250DL515	872	195	435	700	350	440	510	400	34	70	70	650	215	500	560	1200	900	150	
		250DL518	872	195	435	700	350	440	510	400	34	70	70	650	215	500	560	1200	900	150	
		250DL522	872	195	435	700	350	440	510	400	34	70	70	650	215	500	560	1200	900	150	
		300DL511	917	195	465	800	430	550	620	450	109	70	70	680	215	580	640	1200	900	200	
300	LL300	300DL515	917	195	465	800	430	550	620	450	109	70	70	680	215	580	640	1200	900	200	
		300DL518	952	195	465	800	430	550	620	450	112	70	70	680	215	580	640	1200	900	200	
		300DL522	952	195	465	800	430	550	620	450	112	70	70	680	215	580	640	1200	900	200	

# MODEL DL WITH QUICK DISCHARGE CONNECTOR

## Dimensions-continue

60Hz

Size φ	QDC model	Pnmp model	Quick discharge connector														Unit : mm	
			A	P1	P2	G1	G2	F	H1	H2	H3	L1	L6	BN1	BN2	D1	E1	Weight (Mass) kg
50	LM50	50DL6.4	355	75	80	115	135	230	135	165	215	120	55	75	80	12	120	11
		50DL6.75	375	75	80	115	135	230	135	165	215	120	55	75	80	12	120	11
65	LM65	65DL61.5	429	75	95	120	160	250	145	190	240	140	50	75	95	12	140	14
		80DL61.5	481	75	90	125	165	285	175	230	280	165	65	75	90	15	155	17
80	LM80	80DL62.2	481	75	90	125	165	285	175	230	280	165	65	75	90	15	155	17
		80DL63.7	499	75	90	125	165	285	175	230	280	165	65	75	90	15	155	17
		80DL65.5	524	75	90	125	165	285	175	230	280	165	65	75	90	15	155	17

Size φ	QDC model	Pnmp model	Quick discharge connector														Unit : mm						
			A	P1	P2	G1	G2	F	H1	H2	H3	L1	L6	BN1	BN2	BM	BY1	BW	DM	I	D1	E1	Weight (Mass) kg
65	LL65	65DL65.5	605	105	125	185	190	315	210	240	310	260	100	100	40	195	160	210	800	700	12	140	41
		65DL67.5	605	105	125	185	190	315	210	240	310	260	100	100	40	195	160	210	800	700	12	140	41
		65DL611	672	105	125	185	190	315	210	240	310	260	100	100	40	195	160	210	1000	700	12	140	41
		65DL615	686	105	125	185	190	315	210	240	310	280	100	100	40	195	160	210	1000	700	12	140	41
		65DL622	728	105	125	185	190	315	210	240	310	280	100	100	40	195	160	210	1000	700	12	140	41
80	LL65	80DL65.5	605	105	125	185	200	320	210	240	310	260	100	100	40	195	160	210	800	700	12	140	41
		80DL67.5	605	105	125	185	200	320	210	240	310	260	100	100	40	195	160	210	800	700	12	140	41
		80DLC67.5	635	105	120	185	195	350	240	255	325	205	43	100	40	220	180	230	800	700	15	155	44
		80DL611	672	105	125	185	200	320	210	240	310	260	100	100	40	195	160	210	1000	700	12	140	41
	LL80	80DLC611	665	105	120	185	195	350	240	255	325	205	45	100	40	220	180	230	800	700	15	155	44
		80DL615	686	105	125	185	200	320	210	240	310	280	100	100	40	195	160	210	1000	700	12	140	41
		80DL618	686	105	125	185	200	320	210	240	310	280	100	100	40	195	160	210	1000	700	12	140	41
		80DL622	728	105	125	185	200	320	210	240	310	280	100	100	40	195	160	210	1000	700	12	140	41
100	LL100	100DL63.7	589	105	105	185	210	365	240	265	335	185	115	100	40	220	180	230	800	700	19	175	46
		100DL65.5	589	105	105	185	210	365	240	265	335	185	115	100	40	220	180	230	800	700	19	175	46
		100DLC67.5	635	105	120	185	225	365	240	255	325	205	43	100	40	220	180	230	800	700	15	155	44
		100DL67.5	621	105	105	185	210	365	240	265	335	205	42	100	40	220	180	230	800	700	19	175	46
	LL80	100DLC611	665	105	120	185	225	365	240	255	325	205	45	100	40	220	180	230	800	700	15	155	44
		100DL611	648	105	105	185	210	365	240	265	335	205	42	100	40	220	180	230	800	700	19	175	46
		100DL615	648	105	105	185	210	365	240	265	335	205	42	100	40	220	180	230	800	700	19	175	46
		100DL618	676	105	105	185	210	365	240	265	335	205	42	100	40	220	180	230	1000	700	19	175	46
100DL622	676	105	105	185	210	365	240	265	335	205	42	100	40	220	180	230	1000	700	19	175	46		

Size φ	QDC model	Pnmp model	Quick discharge connector														Unit : mm						
			A	P1	P2	G	F	H1	H2	H3	L1	L6	BN1	BN2	BM	BP	BY1	BW	DM	I	D1	E1	Weight (Mass) kg
150	LL125	150DL65.5	635	155	195	325	450	290	362	432	245	69	60	60	370	165	280	330	1000	700	16	210	65
		150DL67.5	635	155	195	325	450	290	362	432	245	69	60	60	370	165	280	330	1000	700	16	210	65
		150DL611	635	155	195	325	450	290	362	432	245	69	60	60	370	165	280	330	1000	700	16	210	65
		150DL615	665	155	195	325	450	290	362	432	245	73	60	60	370	165	280	330	1000	700	16	210	65
		150DL618	695	155	195	325	450	290	362	432	245	73	60	60	370	165	280	330	1000	700	16	210	65
200	LL150	150DL622	695	155	195	325	450	290	362	432	245	73	60	60	370	165	280	330	1000	700	16	210	65
		200DL67.5	672	155	205	355	495	320	405	475	285	81	60	60	390	170	300	350	1100	800	16	250	80
		200DL611	672	155	205	355	495	320	405	475	285	81	60	60	390	170	300	350	1100	800	16	250	80
		200DL615	703	155	205	355	495	320	405	475	285	85	60	60	390	170	300	350	1100	800	16	250	80
		200DL618	703	155	205	355	495	320	405	475	285	85	60	60	390	170	300	350	1100	800	16	250	80
		200DL622	736	155	205	355	495	320	405	475	285	84	60	60	390	170	300	350	1100	800	16	250	80

Size φ	QDC model	Pnmp model	Quick discharge connector														Unit : mm				
			A	P1	P2	F	H1	H2	H3	L1	L6	BN1	BN2	BM	BP	BY1	BW	DM	I	D1	E1
250	LL250	250DL611	834	195	435	700	350	440	510	400	58	70	70	650	215	500	560	1200	900	900	150
		250DL615	834	195	435	700	350	440	510	400	58	70	70	650	215	500	560	1200	900	900	150
		250DLC615	858	195	435	700	350	440	510	400	46	70	70	650	215	500	560	1200	900	900	150
		250DL618	858	195	435	700	350	440	510	400	46	70	70	650	215	500	560	1200	900	900	150
		250DL622	858	195	435	700	350	440	510	400	46	70	70	650	215	500	560	1200	900	900	150
300	LL300	300DL618	917	195	465	800	430	550	620	450	109	70	70	680	215	580	640	1200	900	900	200
		300DL622	917	195	465	800	430	550	620	450	109	70	70	680	215	580	640	1200	900	900	200

## MOTOR PROTECTION

A built-in protector prevents motor from overheat and burn damage caused by eddy currents, lock and dry operation.

**0.4 to 7.5 kW motor output**

Automatic cut-off circuit cuts the motor winding circuit when motor heats, thereby preventing burning. When temperature decreases, the motor automatically restarts.

**11 to 45 kW motor output**

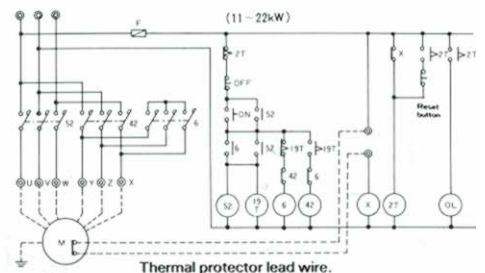
Motors up to 45 kW are equipped with sensors that detect motor temperature rise with excessive temperatures, the motor is shut off via a separate control box at ground level. The unit can be restarted manually from the control box.

Temperature Detector	
Model	Klixon 9700K-01-1
Contact points rating	AC230V x 9A, AC400V x 3.5A
Type contact points	B contact (usually: ON, when detecting: OFF)
Cable marking	S <sub>1</sub> (black), S <sub>2</sub> (white)

CONVERSION OF SI UNIT  
1kgf/cm<sup>2</sup> = 0.0980665 MPa

\*All specifications subject to change without notice.

In this catalog, the particulars in [ ] are in accordance with the International System of Units (SI) and given for reference only.



**EBARA BENGUET, INC.**

Canlubang Industrial Estate

Cabuyao 4025, Laguna, Philippines

P.O. Box 3461 MCPO 1274 Makati

Tel: (02)832-6230, (02) 600-10040, (049) 549-1806

Fax: (049) 549-1915

Email: [pumpsales@ebaraphilippines.com](mailto:pumpsales@ebaraphilippines.com)

Website: [www.ebaraphilippines.com](http://www.ebaraphilippines.com)

A5368@JA-D(AA)F