



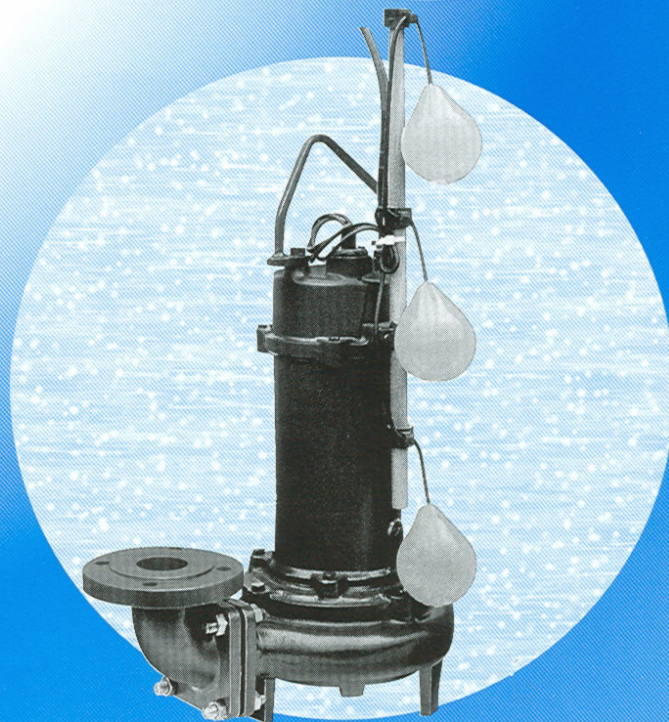
**EBARA**

CF3227UA

# **EBARA SUBMERSIBLE SEWAGE PUMPS**

**MODEL DL with cutter**

# DL





## APPLICATIONS

- Sewage
- Kitchen drains
- Industrial water drainage

## FEATURES

1. Available with cutter type semi-open single blade impeller (50-80  $\phi$ ) and semi-open mixed flow double blade impeller, this pump is clog-free.
2. Built-in thermal protector automatically operates to prevent motor failure.
3. Optical quick discharge connector facilitates installation and maintenance.

## ACCESSORIES

- Cabtyre cable (10m)
- Discharge elbow
- Companion flange (1 set)

## STANDARD SPECIFICATIONS

Treated liquid: Sewage and waste water

Liquid temperatures:

Model DL, DLA	0.4~7.5kW	0~40°C
Model DLJ	0.4~3.7kW	0~32°C

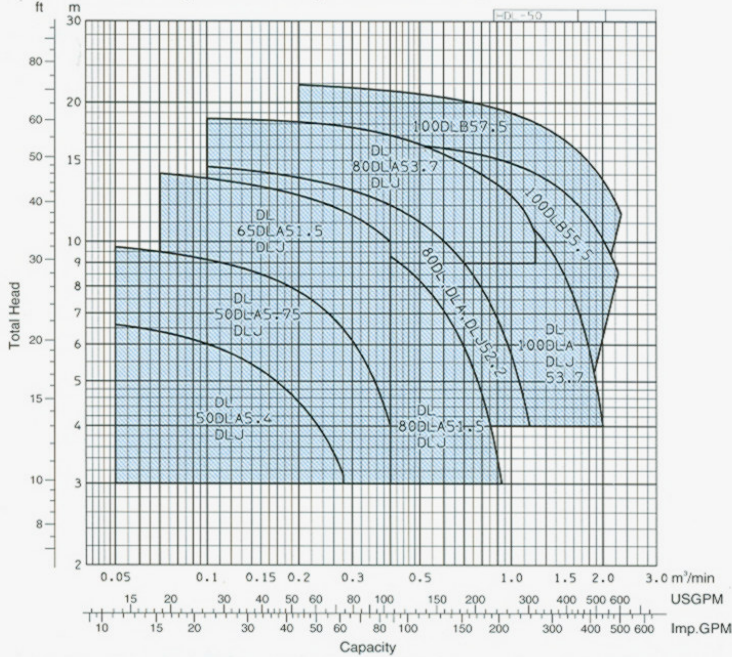
Structure	Impeller	Semi-open single blade (50-80 $\phi$ ) Semi-open mixed flow double blade (100 $\phi$ )
	Shaft seal	Double mechanical seal
Flange rating		JIS B2212: 10kgf/cm <sup>2</sup> thin type
Materials	Casing	Cast iron
	Impeller	Cast iron
	Shaft	403 stainless steel
Motor	Type	Dry type submersible
	Number of poles	4

Size of foreign matter

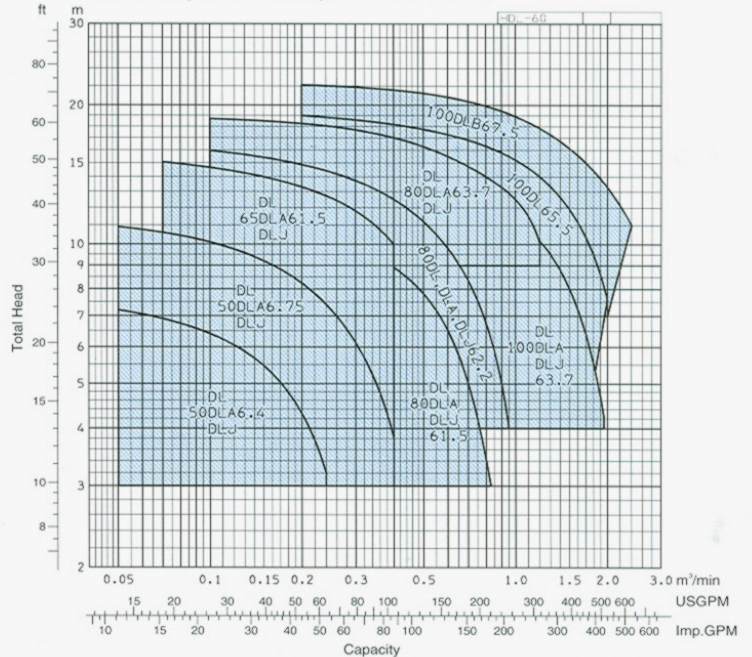
Model	Foreign matter diameter (mm)	Foreign matter length (mm)
50DL	35	150
65DL	40	195
80DL	50	195
100DL	60	300

## SELECTION CHART

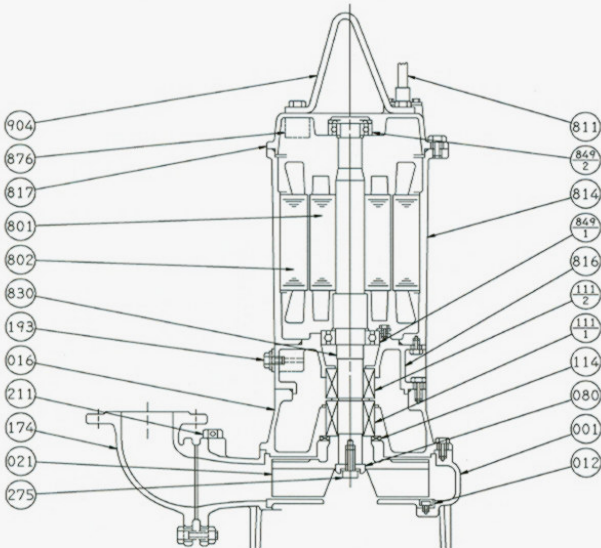
50Hz [Synchronous speed: 1500min<sup>-1</sup>]



60Hz [Synchronous speed: 1800min<sup>-1</sup>]



## SECTIONAL DRAWING



PART NO.	PART NAME	PART NO.	PART NAME
001	CASING	801	ROTOR
012	SUCTION COVER	802	STATOR
016	MECHANICAL SEAL COVER	811	SUBMERSIBLE CABLE
021	IMPELLER	814	MOTOR FRAME
080	BUSHING	816	POWER SIDE BRACKET
111-1	MECHANICAL SEAL	817	OPPOSITE SIDE BRACKET
111-2	MECHANICAL SEAL	830	SHAFT
114	OIL SEAL	849-1	BALL BEARING
174	DISCHARGE BEND	849-2	BALL BEARING
193	OIL PLUG	876	PROTECTOR
211	AIR VENT VALVE	904	LIFTING HANGER
275	IMPELLER BOLT		

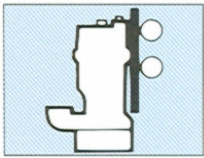
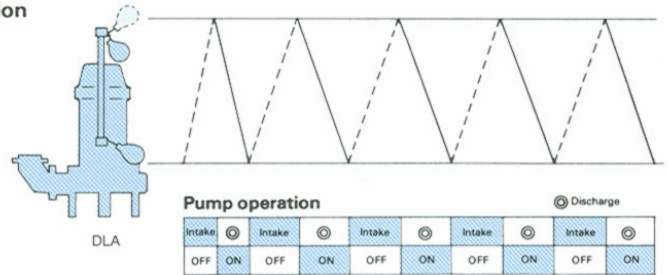


# DIMENSIONS Automatic Type(DLA) and Automatic Alternating Type(DLJ)

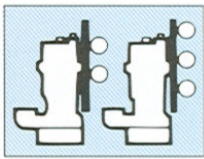
## Features

- Automatic, automatic alternating and parallel operation without use of control panel.
- Since a control panel is unnecessary, operation can begin as soon as the pumps are installed and connected to a power source.
- A highly reliable float switch, impervious to sewage and impurities, used for water surface level detection, prevents dry operation.

### Automatic operation

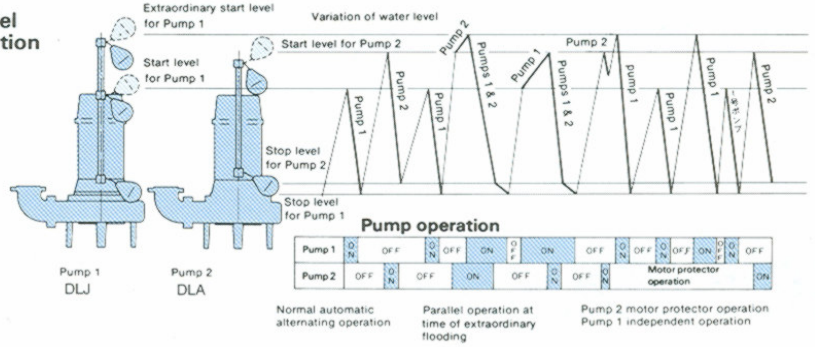


- Automatic operation by using one type DLA pump.

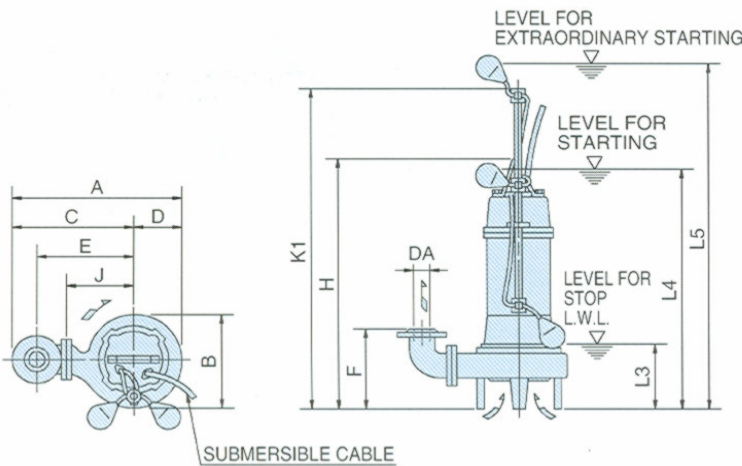


- Automatic alternating operation using type DLA and DLJ pumps.

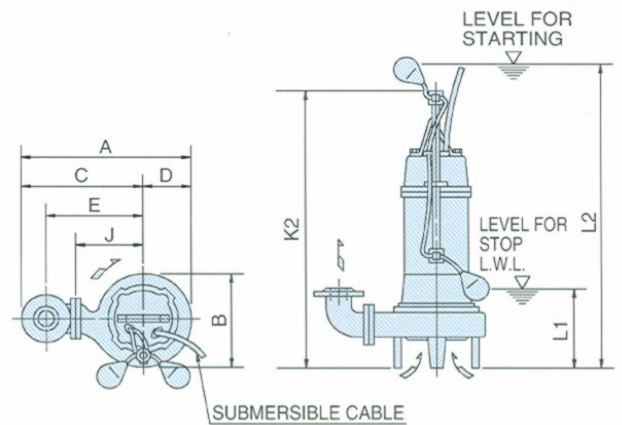
### Parallel operation



Note: When Model DLJ is operated in parallel, it will be necessary to provide more than twice the usual amount of power.  
 \*All specifications subject to change without notice.  
 In this catalog, the particulars in { } are in accordance with the International System of Units (SI) and given for reference only.



**No.1 PUMP MODEL DLJ**



**No.2 PUMP MODEL DLA**

## 50Hz

Unit : mm

Size DA	Model	Output kW	Pump and motor															Mass Kg
			A	B	C	D	E	F	H	J	K1	K2	L1	L2	L3	L4	L5	
50	50DLJ5.4, 50DLA5.4	0.4	393	222	283	110	205	175	595	150	740	630	250	650	220	570	760	33
	50DLJ5.75, 50DLA5.75	0.75	411	239	293	118	215	175	595	160	740	630	250	650	220	570	760	36
65	65DLJ51.5, 65DLA51.5	1.5	497	291	353	144	265	200	662	200	950	840	320	860	290	780	970	55
80	80DLJ51.5, 80DLA51.5	1.5	524	292	378	146	285	220	683	210	950	840	320	860	290	780	970	58
	80DLJ52.2, 80DLA52.2	2.2	542	308	388	154	295	220	728	220	950	840	320	860	290	780	970	70
	80DLJ53.7, 80DLA53.7	3.7	567	328	403	164	310	220	761	235	950	840	320	860	290	780	970	78
100	100DLJ53.7, 100DLA53.7	3.7	614	335	445	169	340	250	780	235	950	840	320	860	290	780	970	85

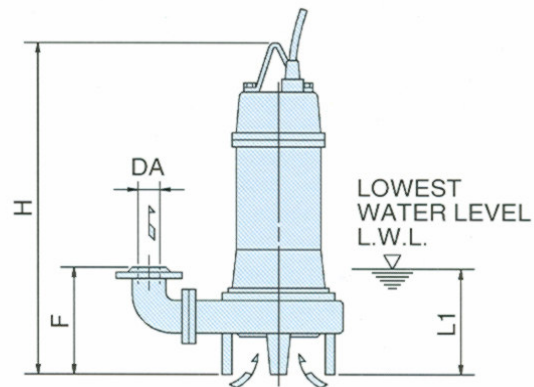
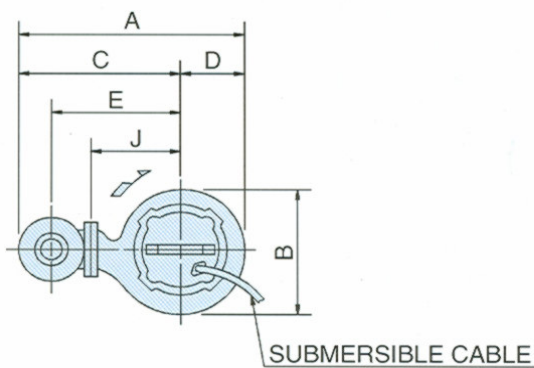
## 60Hz

Unit : mm

Size DA	Model	Output kW	Pump and motor															Mass Kg
			A	B	C	D	E	F	H	J	K1	K2	L1	L2	L3	L4	L5	
50	50DLJ6.4, 50DLA6.4	0.4	373	208	273	100	195	175	597	140	740	630	250	650	220	570	760	33
	50DLJ6.75, 50DLA6.75	0.75	393	222	283	110	205	175	595	150	740	630	250	650	220	570	760	36
65	65DLJ61.5, 65DLA61.5	1.5	462	258	333	129	245	200	662	180	950	840	320	860	290	780	970	55
80	80DLJ61.5, 80DLA61.5	1.5	524	292	378	146	285	220	683	210	950	840	320	860	290	780	970	58
	80DLJ62.2, 80DLA62.2	2.2	524	292	378	146	285	220	729	210	950	840	320	860	290	780	970	70
	80DLJ63.7, 80DLA63.7	3.7	542	308	388	154	295	220	761	220	950	840	320	860	290	780	970	78
100	100DLJ63.7, 100DLA63.7	3.7	614	335	445	169	340	250	780	235	950	840	320	860	290	780	970	85



## DIMENSIONS Manual Type



### 50Hz

Unit : mm

Size DA	Model	Output kW	Pump and motor									Mass Kg
			A	B	C	D	E	F	H	J	L1	
50	50DL5.4	0.4	393	222	283	110	205	175	558	150	120	31
	50DL5.75	0.75	411	239	293	118	215	175	558	160	120	34
65	65DL51.5	1.5	497	291	353	144	265	200	576	200	140	52
80	80DL51.5	1.5	524	292	378	146	285	220	597	210	165	55
	80DL52.2	2.2	542	308	388	154	295	220	654	220	165	67
	80DL53.7	3.7	567	328	403	164	310	220	687	235	165	75
100	100DL53.7	3.7	614	335	445	169	340	250	706	235	185	79
	100DLB55.5	5.5	646	369	460	186	355	323	768	250	205	123
	100DLB57.5	7.5	673	385	480	193	375	323	760	270	205	141

### 60Hz

Unit : mm

Size DA	Model	Output kW	Pump and motor									Mass Kg
			A	B	C	D	E	F	H	J	L1	
50	50DL6.4	0.4	373	208	273	100	195	175	560	140	120	30
	50DL6.75	0.75	393	222	283	110	205	175	558	150	120	33
65	65DL61.5	1.5	462	258	333	129	245	200	576	180	140	48
80	80DL61.5	1.5	524	292	378	146	285	220	597	210	165	55
	80DL62.2	2.2	524	292	378	146	285	220	655	210	165	65
	80DL63.7	3.7	542	308	388	154	295	220	687	220	165	73
100	100DL63.7	3.7	614	335	445	169	340	250	706	235	185	79
	100DL65.5	5.5	614	335	445	169	340	250	791	235	185	121
	100DLB67.5	7.5	646	369	460	186	355	323	768	250	205	132



### EBARA BENGUET, INC

Canlubang Industrial Estate  
 Cabuyao 4025, Laguna, Philippines  
 P.O. Box 3461 MCPO 1274 Makati  
**Tel :** (02) 6800-6037, (02) 832-6230  
 (02) 832-8891, (049) 549-1806  
**Fax:** (02) 552-7905, (049) 549-1915  
 Email : [pumpsales@ebaraphilippines.com](mailto:pumpsales@ebaraphilippines.com)  
 Website : [www.ebaraphilippines.com](http://www.ebaraphilippines.com)