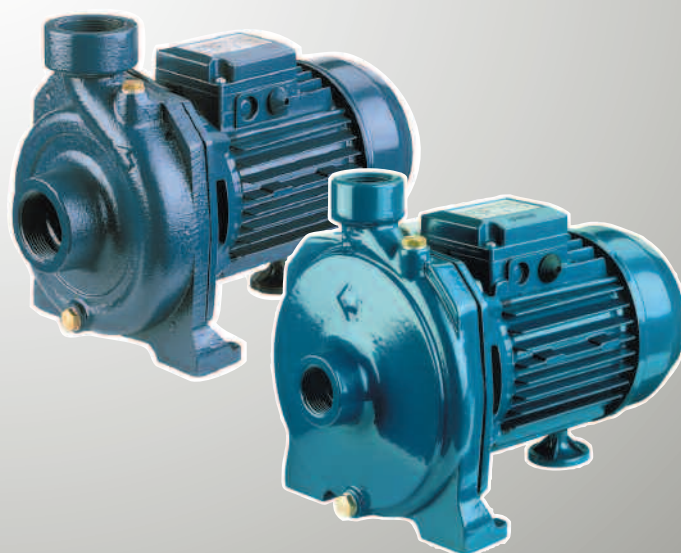




EBARA

CMA-B-D - CMR
SINGLE IMPELLER CENTRIFUGAL ELECTRIC PUMPS

60 Hz



CMA-B-D - CMR

SINGLE IMPELLER CENTRIFUGAL ELECTRIC PUMPS

in cast iron

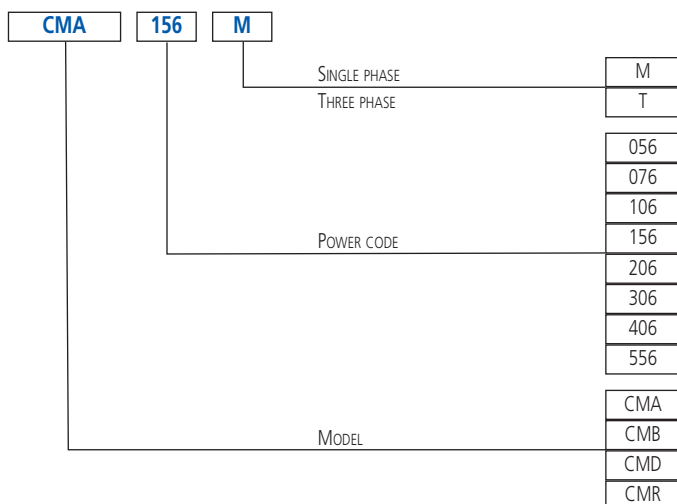


CMA-B-D



CMR

CMA-B-D - CMR IDENTIFICATION CODE



Cast iron single impeller centrifugal electric pumps.

APPLICATIONS

- Pressure boosting domestic plants
- Small-scale irrigation
- Moving non-aggressive liquids for civil and industrial use
- Washing plants
- Washing vehicles

TECHNICAL DETAILS

- The CMR version is equipped with an open impeller
- They can be inserted into machinery for industrial use

TECHNICAL DATA

- Maximum working pressure:
 - 6 bar for CMA 056 - 076 - 106, CMB 076 - 106 - 156 - 206 - 306, CMD, CMR
 - 8 bar for the rest of the range
- Maximum temperature of the liquid:
 - 40°C for CMA 056 - 076 - 106
 - 90°C for the rest of the range
- Self-ventilated 2 pole asynchronous motor
- Class of insulation F
- IP44 Protection rating
- 220-230V ±6%, 60Hz single phase voltage, 220/380V -6%+10%, 60Hz three phase voltage
- Permanent capacitor inserted and thermo-amperometric protection with automatic rearm incorporated for the single phase motor
- Protection under user's responsibility for the three phase version
- Suction connection: G1 for CMA 056 - 076 - 106, G1¼ for CMA 156 - 206 - 306, G1½ for CMR, G2 for CMB, G2½ for CMD
- Discharge connection: G1 for CMA, G1¼ for CMB, G1½ for CMR, G2½ for CMD

MATERIALS

- Cast iron pump body
- Mechanical seal in Carbon/Ceramic/NBR
- Impeller:
 - in PPE+PS reinforced with fibreglass for CMA 056 - 076 - 106
 - in brass for CMA 156 - 206 - 306, CMB 206 - 306 - 406 - 556, CMR
 - in cast iron for CMB 076 - 106 - 156, CMD
- Shaft:
 - in AISI 303 (part in contact with the liquid) for CMA 076 - 106 - 156 - 206 - 306, CMB 076 - 106 - 156 - 206 - 306, CMD 206 - 306 - CMR
 - in AISI 304 (part in contact with the liquid) for CMB 406 - 556, CMD 406
 - in AISI 416 (integral) for CMA 056
- Bracket:
 - in aluminium for CMA 056 - 076 - 106, CMB 076 - 106, CMR
 - in cast iron for the rest of the range

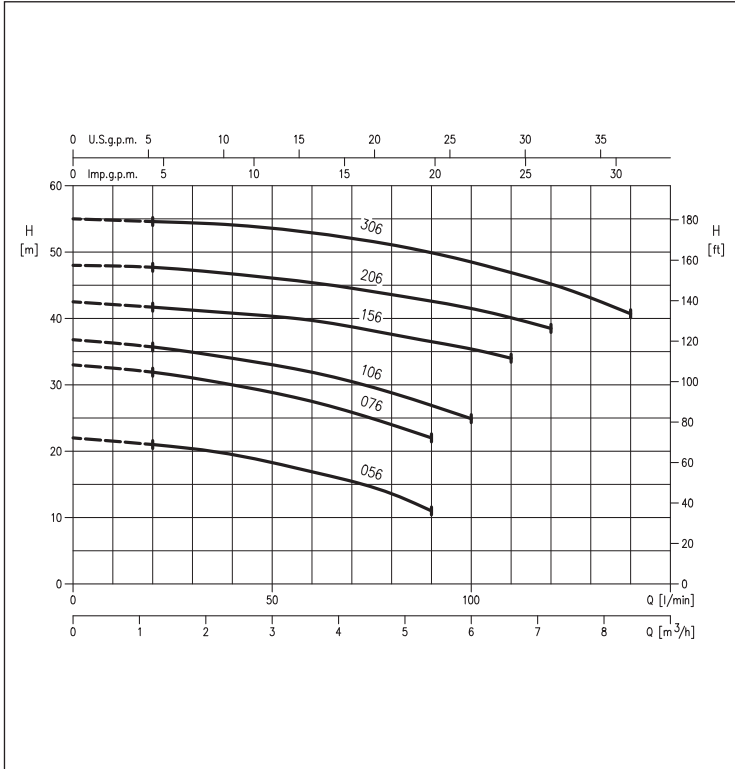


CMA-B-D - CMR

SINGLE IMPELLER CENTRIFUGAL ELECTRIC PUMPS in cast iron

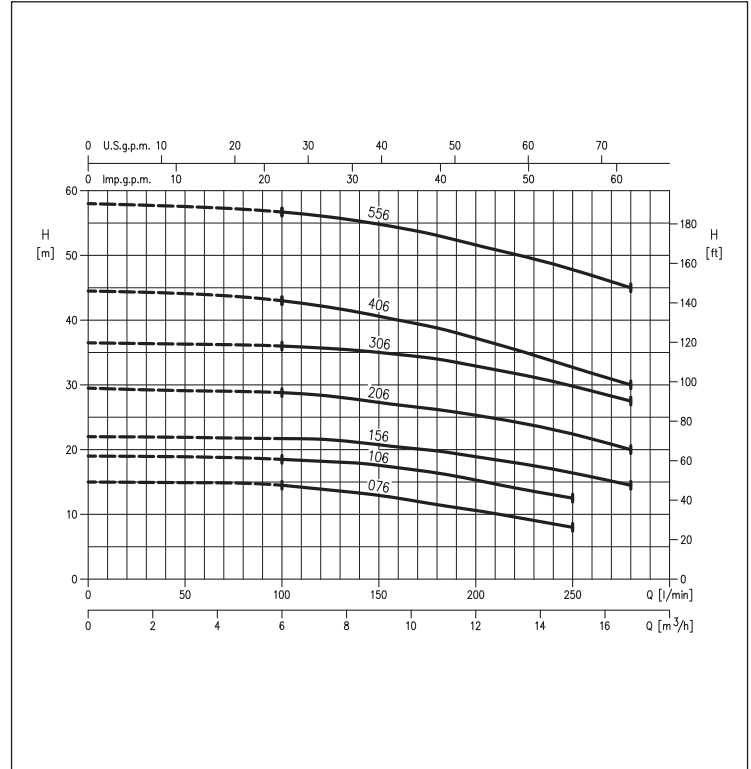
CMA range PERFORMANCE CURVES

(according to ISO 9906 Attachment A)



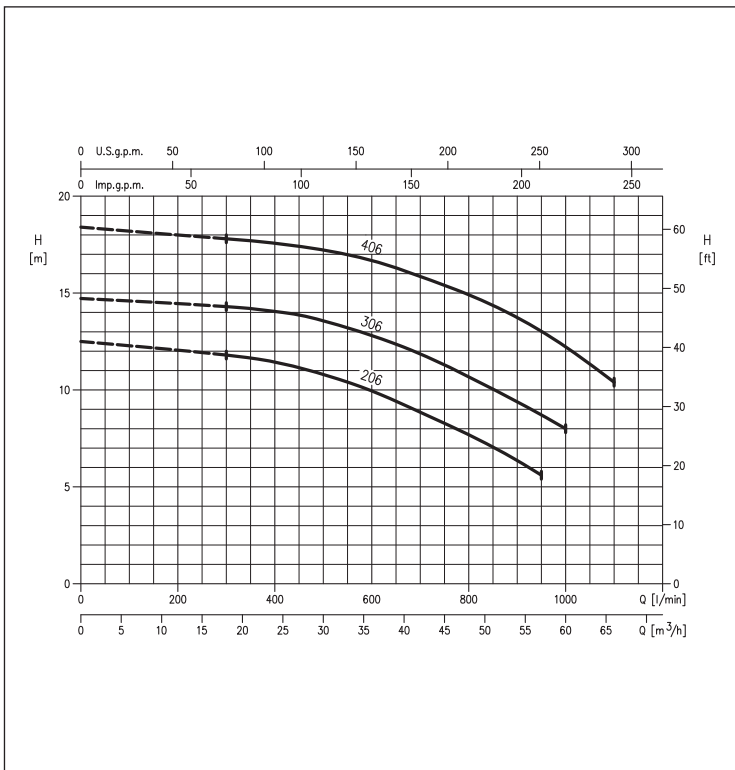
CMB range PERFORMANCE CURVES

(according to ISO 9906 Attachment A)



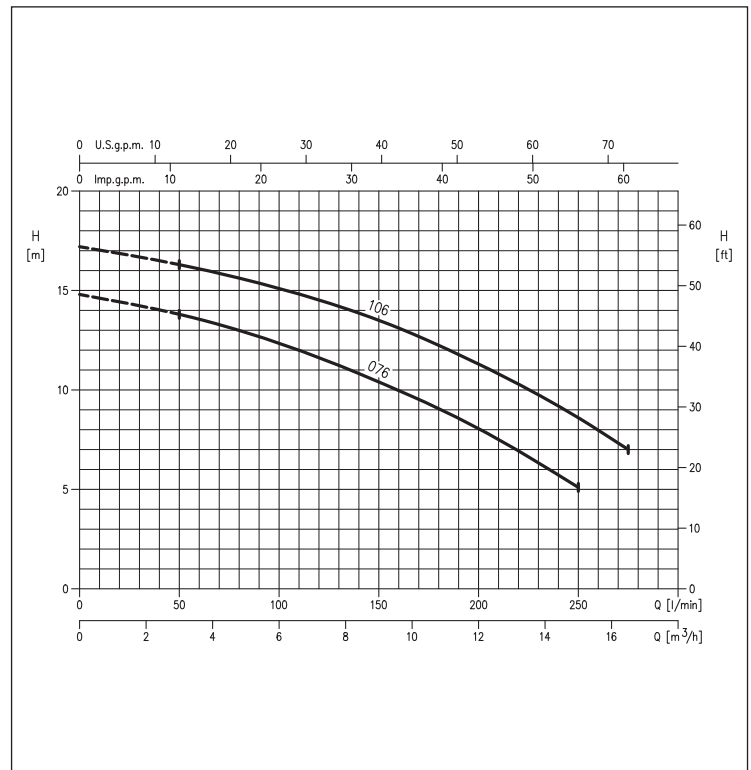
CMD range PERFORMANCE CURVES

(according to ISO 9906 Attachment A)



CMR range PERFORMANCE CURVES

(according to ISO 9906 Attachment A)



CMA-B-D - CMR

SINGLE IMPELLER CENTRIFUGAL ELECTRIC PUMPS

in cast iron

CMA PERFORMANCE TABLE

Model		P ₂		Q=Flow rate													
Single phase 220-230V	Three phase 220/380V	[HP]	[kW]	H=Head [m]													
				l/min m ³ /h	20 1,2	30 1,8	40 2,4	50 3	60 3,6	70 4	80 4,8	90 5,4	100 6	110 6,6	120 7,2	130 7,8	140 8,4
CMA 056 M	CMA 056 T	0,5	0,37	21,0	20,5	19,5	18,0	16,9	15,5	13,6	11,0	-	-	-	-	-	
CMA 076 M	CMA 076 T	0,75	0,55	31,9	31,0	30,0	28,5	27,5	26,0	24,0	22,0	-	-	-	-	-	
CMA 106 M	CMA 106 T	1	0,75	35,7	35,0	34,0	33,0	32,0	30,5	29,0	27,0	24,9	-	-	-	-	
CMA 156 M	CMA 156 T	1,5	1,1	41,5	41,0	40,5	40,0	39,5	38,5	37,5	36,5	35,5	34,0	-	-	-	
CMA 206 M	CMA 206 T	2	1,5	47,5	47,0	46,5	46,0	45,5	44,5	43,5	42,5	41,5	40,0	38,5	-	-	
-	CMA 306 T	3	2,2	54,5	54,3	54,0	53,5	53,0	52,0	51,0	50,0	48,5	47,0	45,0	43,0	40,5	

CMB PERFORMANCE TABLE

Model		P ₂		Q=Flow rate									
Single phase 220-230V	Three phase 220/380V	[HP]	[kW]	H=Head [m]									
				l/min m ³ /h	100 6	120 7,2	140 8,4	160 9,6	180 10,8	200 12	220 13,2	250 15	280 16,8
CMB 076 M	CMB 076 T	0,75	0,55	14,5	13,9	13,3	12,5	11,5	10,6	9,6	8,0	-	-
CMB 106 M	CMB 106 T	1	0,75	18,5	18,2	17,9	17,2	16,4	15,3	14,1	12,5	-	-
CMB 156 M	CMB 156 T	1,5	1,1	21,7	21,6	21,1	20,4	19,8	18,9	18,0	16,4	14,5	
CMB 206 M	CMB 206 T	2	1,5	28,8	28,4	27,7	26,9	26,2	25,3	24,3	22,4	20,0	
-	CMB 306 T	3	2,2	36,0	35,7	35,3	34,7	34,0	32,9	31,8	29,8	27,5	
-	CMB 406 T	4	3	43,0	42,0	41,0	40,0	38,8	37,2	35,5	32,7	30,0	
-	CMB 556 T	5,5	4	56,5	56,0	55,0	54,0	53,0	51,5	50,0	48,0	45,0	

CMD PERFORMANCE TABLE

Model		P ₂		Q=Flow rate											
Single phase 220-230V	Three phase 220/380V	[HP]	[kW]	H=Head [m]											
				l/min m ³ /h	300 18	350 21	400 24	450 27	500 30	600 36	700 42	800 48	900 54	950 57	1000 60
CMD 206 M	CMD 206 T	2	1,5	11,8	11,6	11,4	11,1	10,8	9,9	8,8	7,7	6,3	5,6	-	-
-	CMD 306 T	3	2,2	14,3	14,2	14,0	13,9	13,6	12,8	11,8	10,7	9,4	8,7	8,0	-
-	CMD 406 T	4	3	17,8	17,7	17,6	17,4	17,2	16,7	15,9	14,9	13,7	13,0	12,2	10,4

CMR PERFORMANCE TABLE

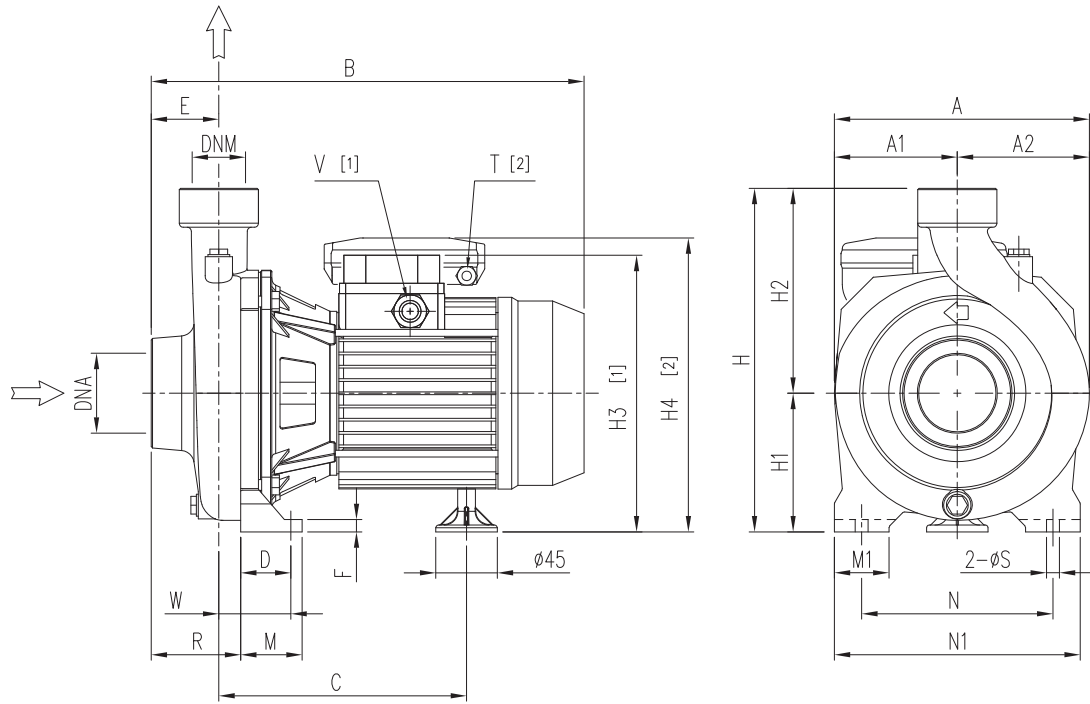
Model		P ₂		Q=Flow rate					
Single phase 220-230V	Three phase 220/380V	[HP]	[kW]	H=Head [m]					
				l/min m ³ /h	50 1,2	100 6	150 9	200 12	250 15
CMR 076 M	CMR 076 T	0,75	0,55	13,8	12,3	10,5	8,0	5,1	-
CMR 106 M	CMR 106 T	1	0,75	16,3	15,1	13,5	11,3	8,6	7,0

CMA-B-D - CMR

SINGLE IMPELLER CENTRIFUGAL ELECTRIC PUMPS

in cast iron

CMA-B-D - CMR DIMENSIONS



[1]= Three phase only
[2]= Single phase only

DIMENSIONAL TABLE

Model	Dimensions [mm]																							Weight [kg]	
	A	A1	A2	B	C	D	E	F	H	H1	H2	H3 [1]	H4 [2]	M	M1	N	N1	R	T [2]	V [1]	W	S	DNA		DNM
CMA 056 M	158,5	76,5	82	264	156	30	44	8	202	82	120	-	174,5	40	40	110	150	44	PG11	-	30	9,5	G1	G1	7,3
CMA 056 T	158,5	76,5	82	262	159	30	44	8	202	82	120	172,5	-	40	40	110	150	44	-	PG11	30	9,5	G1	G1	7,2
CMA 076 M	187	91	96	302	171	37	45	9	232	97	135	-	199	45	40	140	180	45	PG11	-	37	9,5	G1	G1	10,3
CMA 076 T	187	91	96	301	172	37	45	9	232	97	135	197,5	-	45	40	140	180	45	-	PG11	37	9,5	G1	G1	10,2
CMA 106 M	187	91	96	301	172	37	45	9	232	97	135	-	198	45	40	140	180	45	PG11	-	37	9,5	G1	G1	11,5
CMA 106 T	187	91	96	302	171	37	45	9	232	97	135	198	-	45	40	140	180	45	-	PG11	37	9,5	G1	G1	11,5
CMA 156 M	196	97	99	348	209	42	45,5	9	252	100	152	-	232	50	40	155	194	45,5	PG13,5	-	42	9,5	G1¼	G1	19,5
CMA 156 T	196	97	99	346	207	42	45,5	9	252	100	152	219	-	50	40	155	194	45,5	-	PG11	42	9,5	G1¼	G1	18,0
CMA 206 M	223	110,5	112,5	361	209	42	45,5	9	285	115	170	-	247	50	40	180	220	45,5	PG13,5	-	42	9,5	G1¼	G1	22,8
CMA 206 T	223	110,5	112,5	346	207	42	45,5	9	285	115	170	234	-	50	40	180	220	45,5	-	PG11	42	9,5	G1¼	G1	21,5
CMA 306 T	223	110,5	112,5	359	207	42	45,5	9	285	115	170	234	-	50	40	180	220	45,5	-	PG11	42	9,5	G1¼	G1	23,4
CMB 076 M	188	90	98	316	183	37	49,5	9	251,5	101,5	150	-	127,5	45	40	140	180	65,5	PG11	-	53	9,5	G2	G1¼	11,5
CMB 076 T	188	90	98	317	182	37	49,5	9	251,5	101,5	150	203,5	-	45	40	140	180	65,5	-	PG11	53	9,5	G2	G1¼	11,6
CMB 106 M	188	90	98	316	183	37	49,5	9	251,5	101,5	150	-	127,5	45	40	140	180	65,5	PG11	-	53	9,5	G2	G1¼	13,7
CMB 106 T	188	90	98	317	182	37	49,5	9	251,5	101,5	150	202,5	-	45	40	140	180	65,5	-	PG11	53	9,5	G2	G1¼	13,5
CMB 156 M	188	90	98	350	207	37	49,5	9	251,5	101,5	150	-	233,5	45	40	140	180	65,5	PG13,5	-	53	9,5	G2	G1¼	19,0
CMB 156 T	188	90	98	348	205	37	49,5	9	251,5	101,5	150	220,5	-	45	40	140	180	65,5	-	PG11	53	9,5	G2	G1¼	17,6
CMB 206 M	212,5	102	110,5	374	210	37	57,5	9	271,5	111,5	160	-	243,5	45	40	160	200	76,5	PG13,5	-	56	9,5	G2	G1¼	21,0
CMB 206 T	212,5	102	110,5	372	208	37	57,5	9	271,5	111,5	160	230,5	-	45	40	160	200	76,5	-	PG11	56	9,5	G2	G1¼	20,1
CMB 306 T	212,5	102	110,5	372	208	37	57,5	9	271,5	111,5	160	230,5	-	45	40	160	200	76,5	-	PG11	56	9,5	G2	G1¼	21,3
CMB 406 T	248,5	121	127,5	427	246	48	60	12	323,5	133,5	190	274,5	-	60	50	190	240	77,5	-	PG16	66	12	G2	G1¼	39,0
CMB 556 T	248,5	121	127,5	467	246	48	60	12	323,5	133,5	190	274,5	-	60	50	190	240	77,5	-	PG16	66	12	G2	G1¼	41,0
CMD 206 M	211	97	114	398	223	37	68	12	271,5	111,5	160	-	243,5	45	40	160	200	100,5	PG13,5	-	70	9,5	G2½	G2½	23,0
CMD 206 T	211	97	114	396	221	37	68	12	271,5	111,5	160	230,5	-	45	40	160	200	100,5	-	PG11	70	9,5	G2½	G2½	21,4
CMD 306 T	211	97	114	396	221	37	68	12	271,5	111,5	160	230,5	-	45	40	160	200	100,5	-	PG11	70	9,5	G2½	G2½	23,0
CMD 406 T	211	97	114	444	255	37	68	12	271,5	111,5	160	252,5	-	45	40	160	200	100,5	-	PG16	70	9,5	G2½	G2½	30,0
CMR 076 M	180	90	90	311	182	37	45	9	229	97	132	-	198	45	40	140	180	60,5	PG11	-	53	9,5	G1½	G1½	10,7
CMR 076 T	180	90	90	312	181	37	45	9	229	97	132	199	-	45	40	140	180	60,5	-	PG11	53	9,5	G1½	G1½	10,7
CMR 106 M	180	90	90	311	182	37	45	9	229	97	132	-	198	45	40	140	180	60,5	PG11	-	53	9,5	G1½	G1½	11,9
CMR 106 T	180	90	90	312	181	37	45	9	229	97	132	198	-	45	40	140	180	60,5	-	PG11	53	9,5	G1½	G1½	11,9

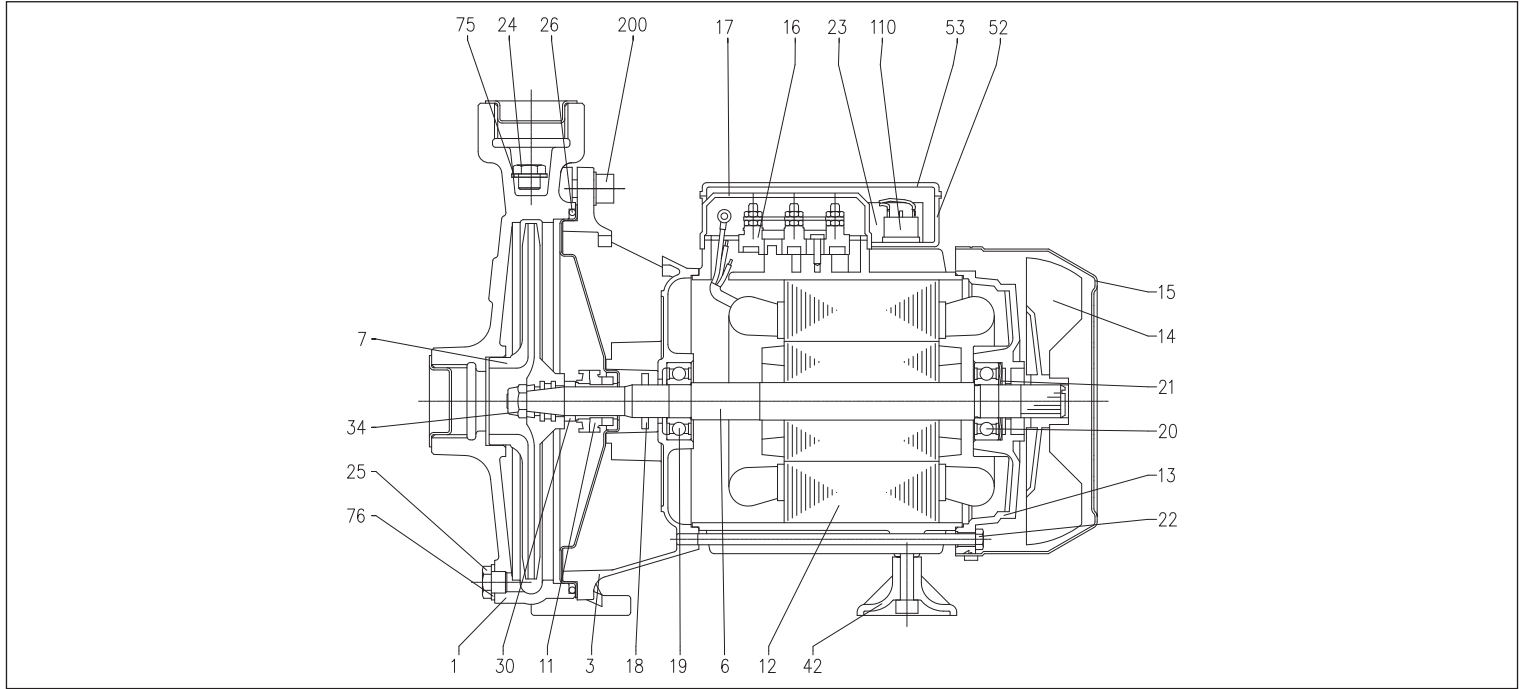
[1]= Three phase only
[2]= Single phase only

CMA-B-D - CMR

SINGLE IMPELLER CENTRIFUGAL ELECTRIC PUMPS

in cast iron

SECTIONAL VIEW for CMA-B-D up to 1.00 HP



MATERIALS TABLE

Ref.	Name	Material	Ref.	Name	Material
1	Pump body	Cast iron	21	Adjusting ring	Steel C70
3	Motor support	Aluminium	22	Tie-rod	Galvanised Fe 42
4	Casing cover	AISI 304	23	Capacitor [2]	-
6	Shaft	see page 3	24	Priming plug	Brass
7	Impeller	see page 3	25	Drain plug	Brass
11	Mechanical seal	Carbon/Ceramic/NBR	26	O-Ring	NBR
12	Motor frame with stator	-	30	Mechanical seal spacer [3]	Brass
13	Motor cover	Aluminium	34	Impeller nut [4]	AISI 304
14	Fan	PA6	42	Foot	PP
15	Fan cover	Galvanised Fe P04	52	Capacitor box [2]	ABS
16	Terminal box	-	53	Capacitor box cover [2] [5]	ABS
17	Terminal box cover [1]	Aluminium	75	Washer	Aluminium
18	Splash ring	NBR	76	Washer	Aluminium
19	Bearing (pump side)	-	110	Protector [2]	-
20	Bearing (motor side)	-	200	Screw (pump body)	Zn Steel Cl. 8.8 ISO 898-1

[1]= For three phase only

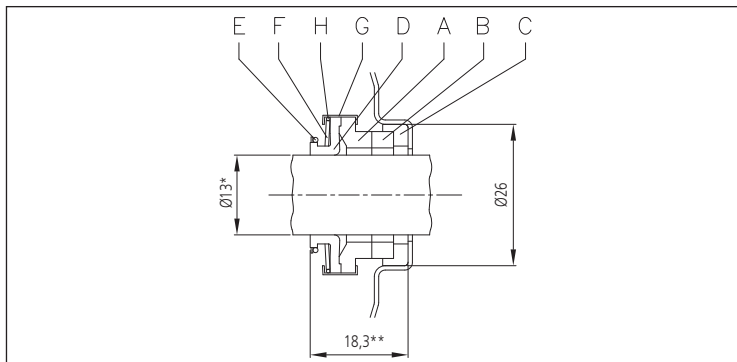
[2]= For single phase only

[3]= For CMA 056, CMB 076-106 only

[4]= Except for CMA 056

[5]= With gasket in NBR for single phase CMA 056-076-106, CMB 076-106 versions only

MECHANICAL SEAL for CMA-B-D up to 1.00 HP



*= Ø12 for CMA 056

**= 18,5 for CMA 056

MATERIALS TABLE

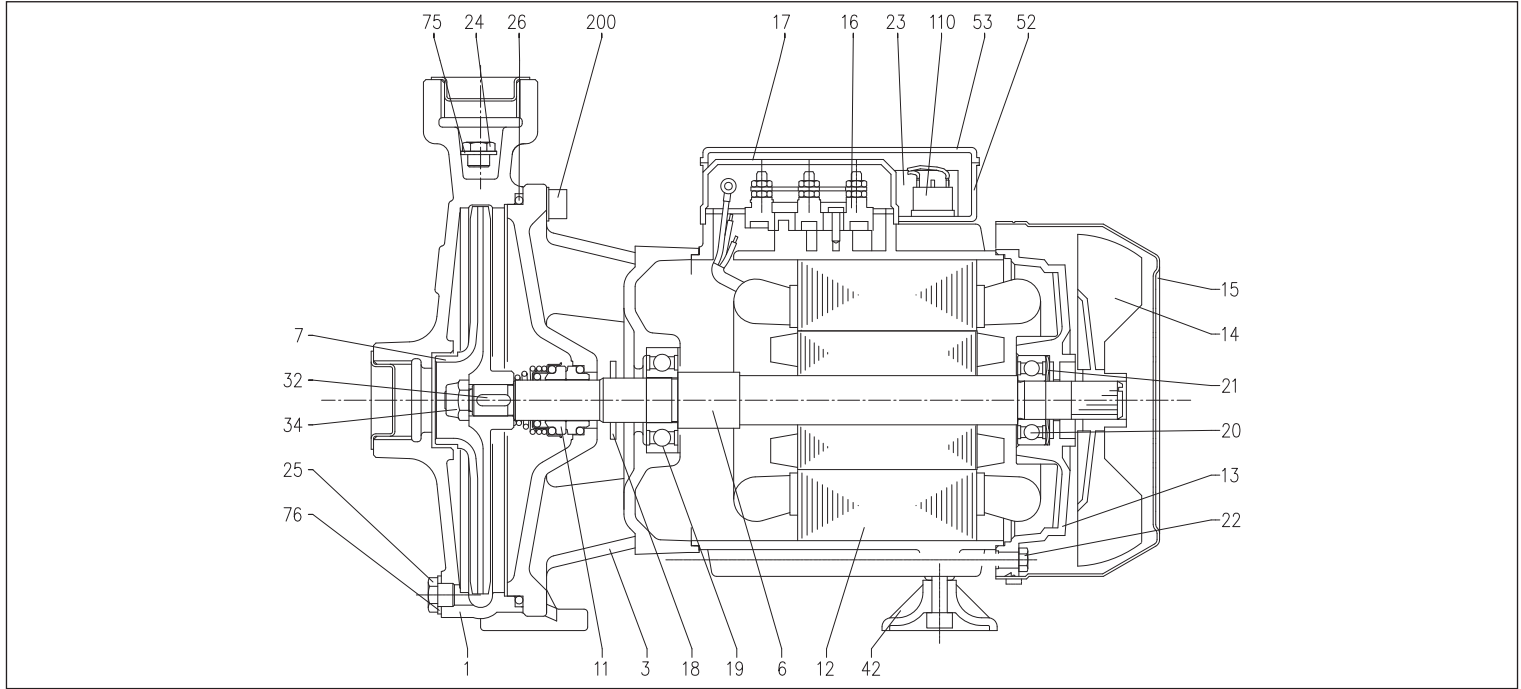
Ref.	Name	Material
A	Rotating part	Carbon
B	Fixed part	Ceramic
C	Gasket	NBR
D	Bellows	NBR
E	Ring	AISI 304
F	Spring	AISI 304
G	Structure/frame	AISI 304
H	Retainer ring	AISI 304

CMA-B-D - CMR

SINGLE IMPELLER CENTRIFUGAL ELECTRIC PUMPS

in cast iron

SECTIONAL VIEW for CMA-B-D from 1.50 HP and above

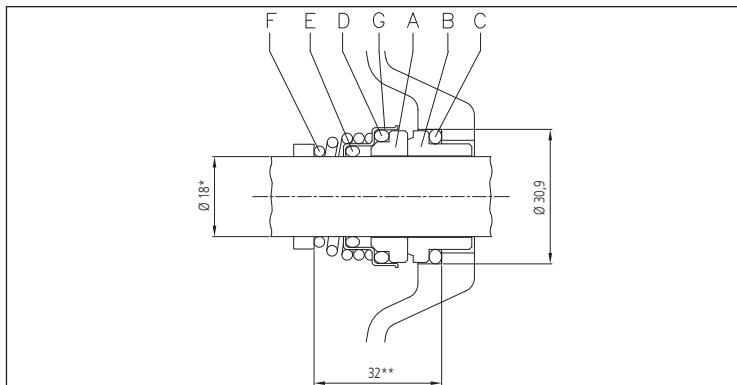


MATERIALS TABLE

Ref.	Name	Material	Ref.	Name	Material
1	Pump body	Cast iron	22	Tie-rod	Galvanised Fe 42
3	Motor bracket	Cast iron	23	Capacitor [2]	-
6	Shaft with rotor	see page 3	24	Priming plug	Brass
7	Impeller	see page 3	25	Drain plug	Brass
11	Mechanical seal	Carbon/Ceramic/NBR	26	O-Ring	NBR
12	Motor frame with stator	-	32	Key	AISI 316
13	Motor cover	Aluminium	34	Impeller nut	AISI 304
14	Fan	PA6	42	Foot	PP
15	Fan cover	Galvanised Fe P04	52	Capacitor box [2]	ABS
16	Terminal board	-	53	Capacitor box cover [2]	ABS
17	Terminal box board [1]	Aluminium	75	Washer	Aluminium
18	Splash ring	NBR	76	Washer	Aluminium
19	Bearing (pump side)	-	101	Seeger ring	AISI 420
20	Bearing (motor side)	-	110	Motorprotector [2]	-
21	Adjusting ring	Steel C70	200	Screw (pump body)	Zn Steel Cl. 8.8 ISO 898-1

[1]= Three phase only
[2]= Single phase only

MECHANICAL SEAL for CMA-B-D from 1.50 HP and above



*= Ø20 for CMB 406 - 556 **= 33 for CMB 406 - 556

MATERIALS TABLE

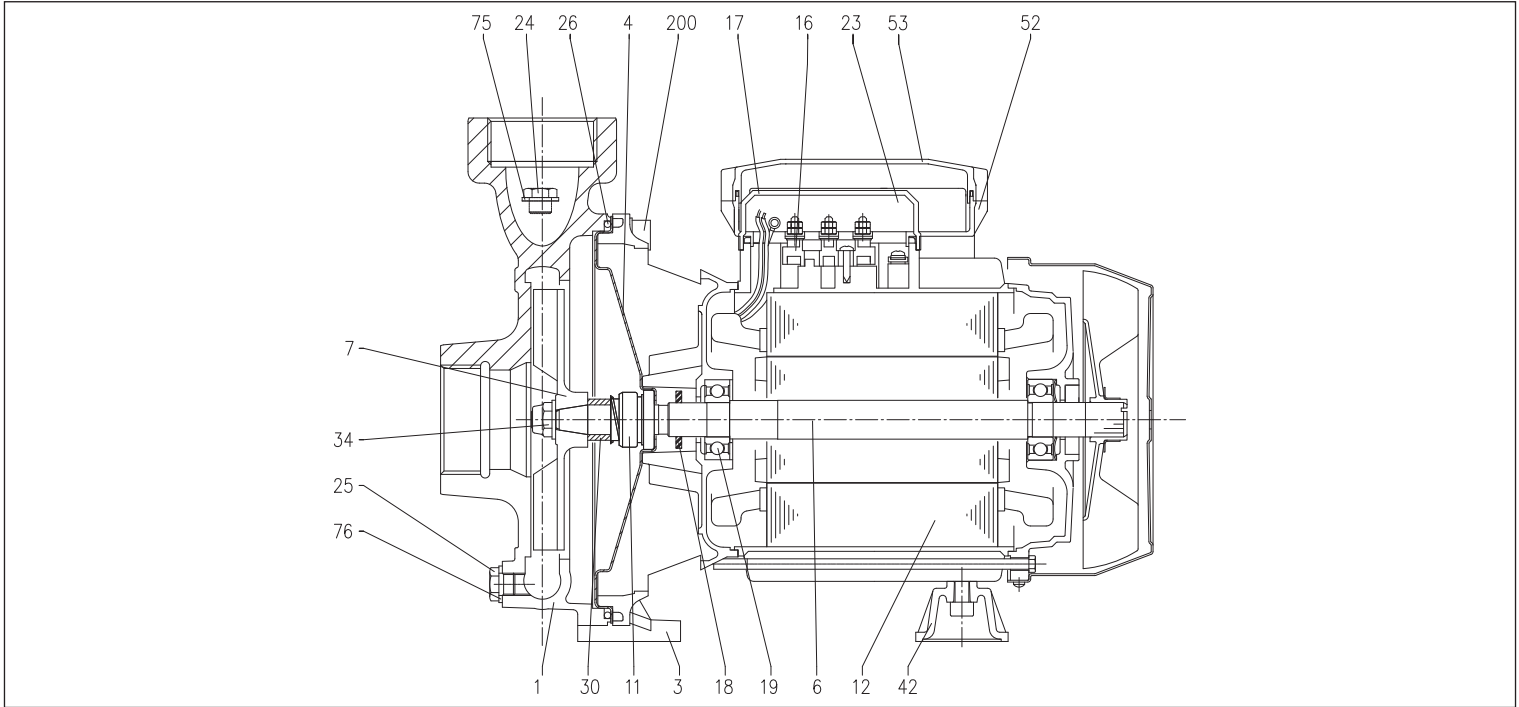
Ref.	Name	Material
A	Rotating part	Ceramic
B	Fixed part	Carbon
C	O-Ring	NBR
D	O-Ring	NBR
E	O-Ring	NBR
F	Spring	AISI 316
G	Structure/frame	AISI 304

CMA-B-D - CMR

SINGLE IMPELLER CENTRIFUGAL ELECTRIC PUMPS

in cast iron

SECTIONAL VIEW for CMR

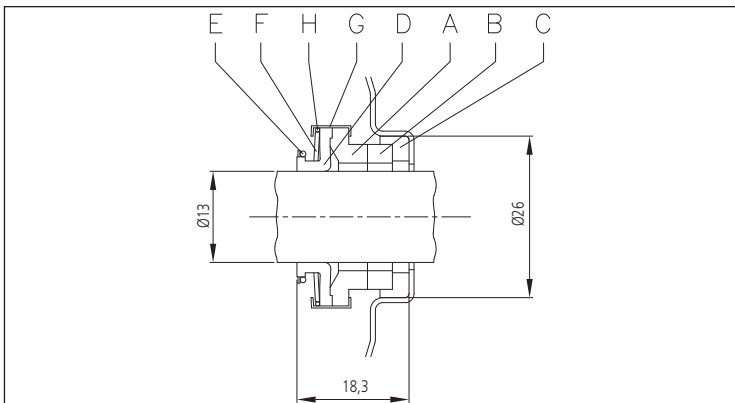


MATERIALS TABLE

Ref.	Name	Material	Ref.	Name	Material
1	Pump body	Cast iron	21	Adjusting ring	Steel C70
3	Motor bracket	Aluminium	22	Tie-rod	Galvanised Fe 42
4	Casing cover	AISI 304	23	Capacitor [2]	-
6	Shaft with rotor	AISI 303 (part in contact with the liquid)	24	Priming plug	Brass
7	Impeller	Brass	25	Drain plug	Brass
11	Mechanical seal	Carbon/Ceramic/NBR	26	O-Ring	NBR
12	Motor frame with stator	-	30	Mechanical seal spacer	Brass
13	Motor cover [1]	Aluminium	34	Impeller nut	AISI 304
14	Fan	PP	42	Foot	PP
15	Fan cover	Galvanised Fe P04	52	Capacitor box [2]	ABS
16	Terminal box	-	53	Capacitor box cover [2]	ABS+NBR
17	Terminal box cover [1]	Aluminium	75	Washer	Aluminium
18	Splash ring	NBR	76	Washer	Aluminium
19	Bearing (pump side)	-	200	Screw (pump body)	Zn Steel Cl. 8.8 ISO 898-1
20	Bearing (motor side)	-			

[1]= Three phase only [2]= Single phase only

MECHANICAL SEAL for CMR



MATERIALS TABLE

Ref.	Name	Material
A	Rotating part	Carbon
B	Fixed part	Ceramic
C	Gasket	NBR
D	Bellows	NBR
E	Ring	AISI 304
F	Spring	AISI 304
G	Structure/frame	AISI 304
H	Retainer ring	AISI 304

CMA-B-D - CMR

SINGLE IMPELLER CENTRIFUGAL ELECTRIC PUMPS

in cast iron

ELECTRIC DATA TABLE

Single phase 220-230V	Model Three phase 220/380V	P ₂		Capacitor Single phase		P ₁		Absorbed Current [A]		
		[HP]	[kW]	μF	V _c	Single phase [kW]	Three phase [kW]	Single phase 220-230V	Three phase 220V 380V	
CMA 056 M	CMA 056 T	0,5	0,37	10	450	0,7		3,5		
CMA 076 M	CMA 076 T	0,75	0,55	16	450	1,2		5,6		
CMA 106 M	CMA 106 T	1	0,75	20	450	1,3	1,0	6,3	2,9	1,7
CMA 156 M	CMA 156 T	1,5	1,1	35	450	1,9	2,0	9,2	5,7	3,3
CMA 206 M	CMA 206 T	2	1,5	35	450	2,33	2,9	10,9	8,1	4,7
-	CMA 306 T	3	2,2	-	-	-	2,9	-	8,1	4,7
CMB 076 M	CMB 076 T	0,75	0,55	14	450	0,93	0,84	4,5	2,6	1,5
CMB 106 M	CMB 106 T	1	0,75	20	450	1,3	1,0	6,4	2,9	1,7
CMB 156 M	CMB 156 T	1,5	1,1	35	450	1,6	2,0	7,8	5,7	3,3
CMB 206 M	CMB 206 T	2	1,5	35	450	2,0	2,9	9,8	8,1	4,7
-	CMB 306 T	3	2,2	-	-	-	2,9	-	8,1	4,7
-	CMB 406 T	4	3	-	-	-	3,8	-	11,1	6,4
-	CMB 556 T	5,5	4	-	-	-	5,1	-	14,7	8,5
CMD 206 M	CMD 206 T	2	1,5	31,5	450	2,3	2,9	10,5	8,1	4,7
-	CMD 306 T	3	2,2	-	-	-	2,9	-	8,1	4,7
-	CMD 406 T	4	3	-	-	-	3,8	-	11,1	6,4
CMR 076 M	CMR 076 T	0,75	0,55	12,5	450	0,84	0,73	3,9	2,3	1,3
CMR 106 M	CMR 106 T	1	0,75	20	450	1,07	1,0	5,0	2,9	1,7

EBARA Pumps Europe network

HEAD OFFICE

EBARA Pumps Europe S.p.A.

Via Pacinotti, 32
36040 Brendola (VI), Italy
Phone +39 0444 706811 - Fax +39 0444 405811

Italian sales:
e-mail: ordini@ebaraeurope.com

Export sales:
e-mail: exportsales@ebaraeurope.com

Technical Customer Service (TCS):
e-mail: technical_customer_service@ebaraeurope.com
Phone +39 0444 706902/923

Marketing & Marketing Communication:
e-mail: marketing@ebaraeurope.com

ITALIAN SALES NETWORK

NORTH Region:

(Valle d'Aosta, Piemonte, Lombardia, Liguria, Trentino
Alto Adige, Veneto, Friuli Venezia Giulia, Emilia Romagna)
Regional Manager cell.: +39 348 8732512
e-mail: nord@ebaraeurope.com
Phone +39 0444 706811 - Fax +39 0444 405811

CENTRAL Region:

(Toscana, Umbria, Marche, Lazio, Abruzzo, Molise)
Regional Manager cell.: +39 335 6423286
e-mail: centro@ebaraeurope.com
Phone +39 0444 706811 - Fax +39 0444 405811

SOUTH Region:

(Campania, Basilicata, Puglia, Calabria, Sicilia)
Regional Manager cell.: +39 335 6423316
e-mail: sud@ebaraeurope.com
Phone +39 0444 706811 - Fax +39 0444 405811

INDUSTRIAL Division:

Manager cell.: +39 335 6423302
e-mail: industry@ebaraeurope.com
Phone +39 0444 706811 - Fax +39 0444 405811

WASTEWATER Division:

Manager cell.: +39 335 6423290
e-mail: ses@ebaraeurope.com
Phone +39 0444 706811 - Fax +39 0444 405811

MILANO Branch:

Via Lainate, 62
20017 Rho (MI)
Phone +39 02 93507358 - Fax +39 0444 405975
Branch Manager cell.: +39 335 5327276
e-mail: mktgmi@ebaraeurope.com

CAGLIARI Branch:

Via del Fangario, 29
09122 Cagliari
Phone +39 070 274281 - Fax +39 0444 405960
Branch Manager cell.: +39 335 6423320
e-mail: mktgca@ebaraeurope.com

PALERMO Branch

Via Don L. Sturzo, 181/183
Z.I. - 90044 Carini (PA)
Phone +39 091 8669790 - Fax +39 0444 405980
Branch Manager cell.: +39 335 6423316
e-mail: mktgpa@ebaraeurope.com

EXPORT NETWORK

EBARA Pumps Europe S.p.A. UNITED KINGDOM

Unit 7 - Zodiac Business Park
High Road - Cowley Uxbridge
Middlesex - UB8 2GU, United Kingdom
Phone +44 1895 439027 - Fax +44 1895 439028
e-mail: mktguk@ebaraeurope.com

EBARA ESPAÑA BOMBAS S.A.

C/Cormoranes 6 Y 8
Poligono Ind. La Estación
28320 Pinto (Madrid), Spain
Phone +34 916.923.630 - Fax +34 916.910.818
e-mail: marketing@ebara.es

EBARA Pumps Europe S.p.A. FRANCE

555, Rue Juliette Recamier
69970 Chaponnay, France
Phone +33 4 72769482 - Fax +33 805101071
e-mail: mktgfr@ebaraeurope.com

EBARA Pumps Europe S.p.A. GERMANY

Ferdinand-Porsche-Ring 7
63110 Rodgau-Jügesheim, Germany
Phone +49 (0) 6106-660 99-0
Fax +49 (0) 6106-660 99-45
e-mail: mktgde@ebaraeurope.com

EBARA POMPY POLSKA Sp. z o.o.

ul. Działkowa 115
02-234 Warszawa, Poland
Phone +48 22 3909920 - Fax +48 22 3909929
e-mail: mktgpl@ebaraeurope.com

EBARA Pumps Europe S.p.A. MIDDLE EAST

P.O. Box 54515
Dubai Airport Free Zone
Dubai, United Arab Emirates
Phone +971 4 609 1040 - Fax +971 4 609 1038
e-mail: mktgme@ebaraeurope.com

EBARA Pumps Europe S.p.A INDIA LIAISON OFFICE

Bhumiraj Costarica,
Room No. 1503, Sector -18,
Palm Beach Rd., Sanpada,
Navi Mumbai, Maharashtra, India
Phone +91 22 27812862/63/64
Fax +91 22 27812865
e-mail: mktgind@ebaraeurope.com

EBARA Pumps Europe S.p.A. RUSSIA

Phone +7 985 7672672
e-mail: mktgrus@ebaraeurope.com



EBARA Pumps Europe S.p.A.

Via Pacinotti, 32
36040 Brendola (Vicenza), Italy
Phone +39 0444 706811 - Fax +39 0444 405811
e-mail: marketing@ebaraeurope.com
www.ebaraeurope.com



EBARA Corporation

11-1, Haneda Asahi-cho, Ohta-ku,
Tokyo 144-8510
Japan
Phone +81 3 6275 7598 - Fax +81 3 5736 3193
www.ebara.com