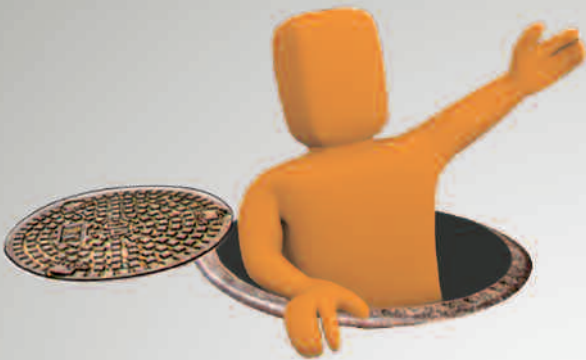




EBARA

**BEST ONE - BEST ONE VOX
SUBMERSIBLE ELECTRIC PUMPS**

60 Hz



BEST ONE (VOX)

SUBMERSIBLE ELECTRIC PUMPS

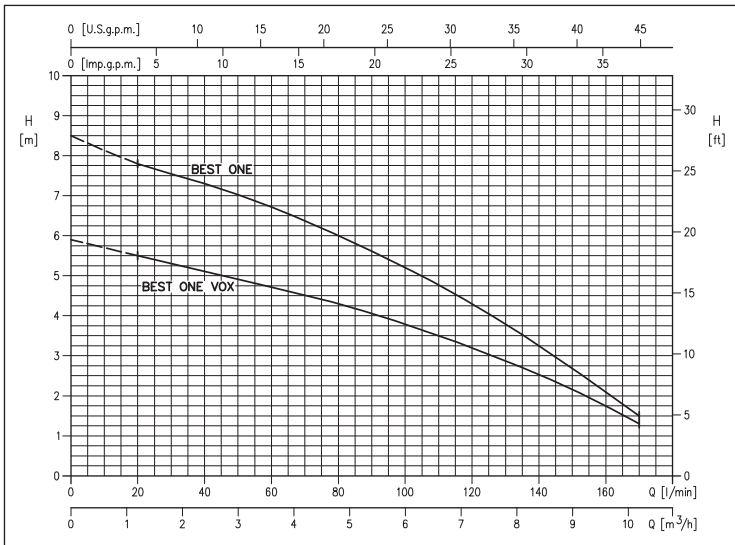
in AISI 304



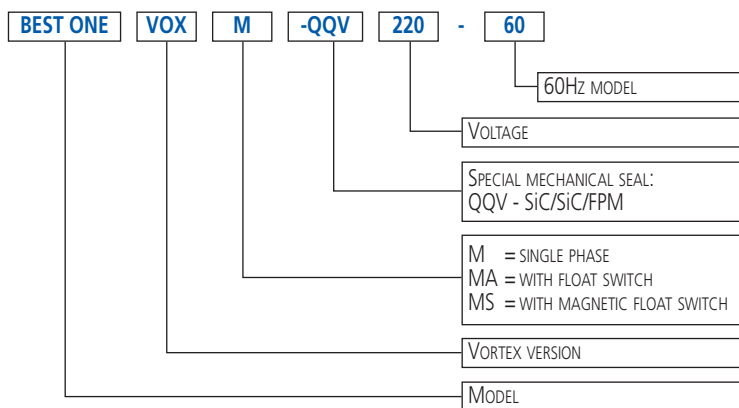
BEST ONE

BEST ONE VOX

PERFORMANCE CURVES (according to ISO 9906 Attachment A)



IDENTIFICATION CODE



Submersible electric pumps for clean water with hydraulics in AISI 304 stainless steel.

APPLICATIONS

- Draining basements, garages, cellars or places subject to flooding
- Supplying garden fountains
- Easy emptying of tanks and reservoirs

TECHNICAL DETAILS

- Standard mechanical seal
- New and revised design and shape
- Technologically and mechanically optimised
- Their versatility means they can be used in fixed or mobile installations
- Equipped with 5 m of H05 RN-F (single phase) and H07RN-F (three phase) power supply cable for internal use (10 m for outdoor use), with or without float switch

TECHNICAL DATA

- Maximum immersion: 5 m
- Maximum temperature of the liquid: 50°C
- Max. solids size for passage:
 - 10 mm
 - 20 mm for VOX version (Vortex)
- Asynchronous motor, 2 poles
- Class of insulation F
- IPX8 Protection rating
- 110-115V ±6%, 60 Hz single phase voltage, 220-230V ±6%, 60 Hz single phase voltage, 380V -6% +10%, 60 Hz three phase voltage
- Discharge connection: G1¼

MATERIALS

- Pump casing, impeller, motor cover, casing cover and motor frame in AISI 304
- Shaft in AISI 303 + AISI 303 ceramic coated shaft sleeve
- Mechanical seal in Carbon/Ceramic/NBR

SPECIAL VERSIONS

- MS version with magnetic float switch
- MA version with float switch
- VORTEX version (VOX)

ACCESSORIES (on request)

- 1¼ outlet connector and relative clamp
- Minimum suction device up to 3 mm (for BEST ONE only)

BEST ONE (VOX)

SUBMERSIBLE ELECTRIC PUMPS

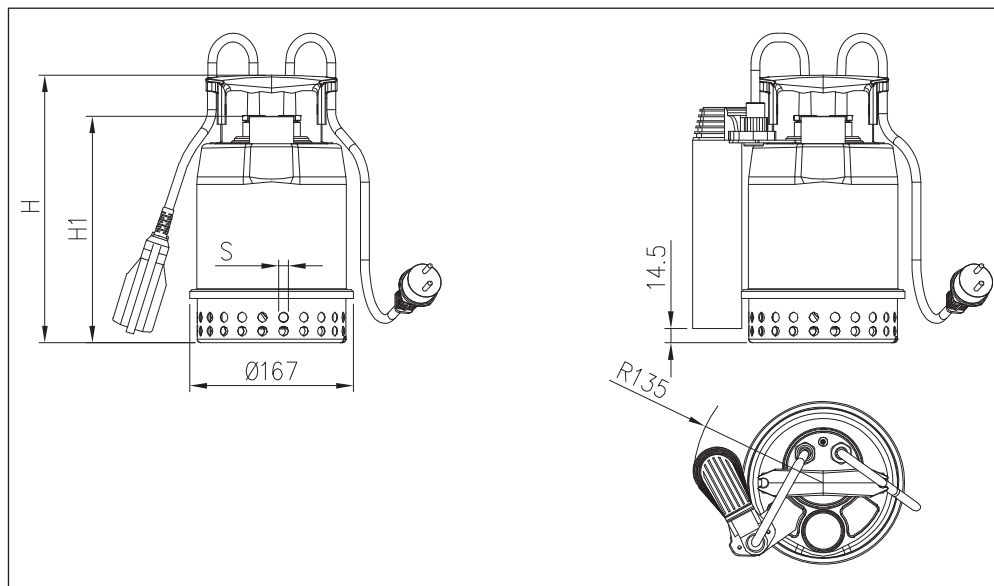
in AISI 304

PERFORMANCE TABLE

Model		P ₂		Capacitor				Abs. curr.			Q=Flow rate						
Single phase 110-115V/220-230V	Three phase 380V	[HP]	[kW]	110-115V µF	Vc	220-230V µF	Vc	Single phase 110-115V [A]	220-230V [A]	Three phase 380V [A]	l/min	20	40	80	120	160	170
											m ³ /h	1,2	2,4	4,8	7,2	9,6	10,2
											H=Head [m]						
BEST ONE M	BEST ONE	0,33	0,25	20	250	6,3	450	4,8	2,4	0,7	7,8	7,3	6,0	4,3	2,1	1,5	
BEST ONE VOX M	BEST ONE VOX	0,33	0,25	20	250	6,3	450	4,2	2,2	0,7	5,5	5,1	4,3	3,2	1,8	1,3	

DIMENSIONS

BEST ONE MA/ONE VOX MA

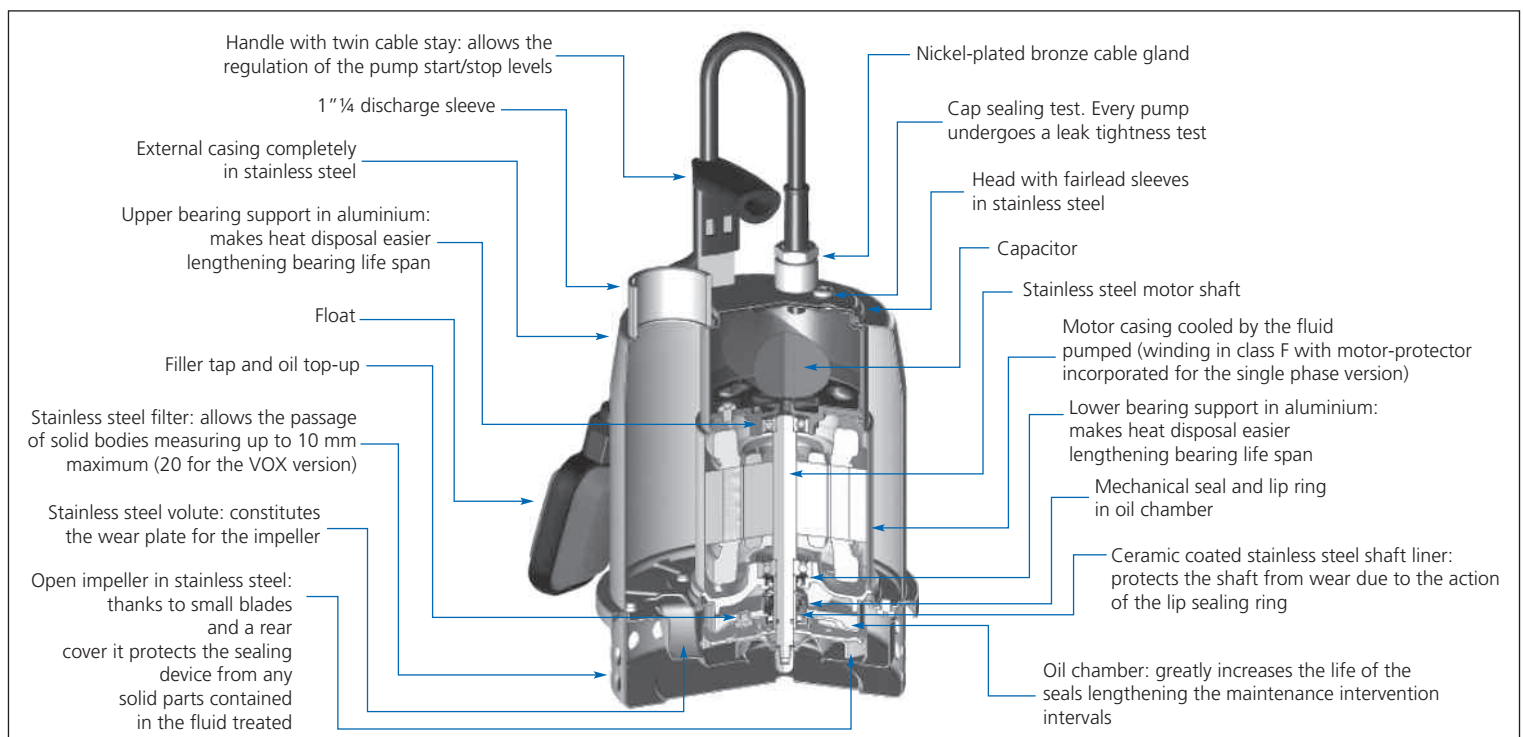


BEST ONE MS

DIMENSIONS TABLE

Model	Dimensions [mm]			Weight [kg]
	H	H1	S	
BEST ONE	273	231	10	4,3
BEST ONE M	273	231	10	4,4
BEST ONE MA	273	231	10	4,6
BEST ONE MS	273	231	10	4,8
BEST ONE VOX	304	262	20	4,4
BEST ONE VOX M	304	262	20	4,5
BEST ONE VOX MA	304	262	20	4,7

SECTIONAL VIEW



BEST ONE (VOX)

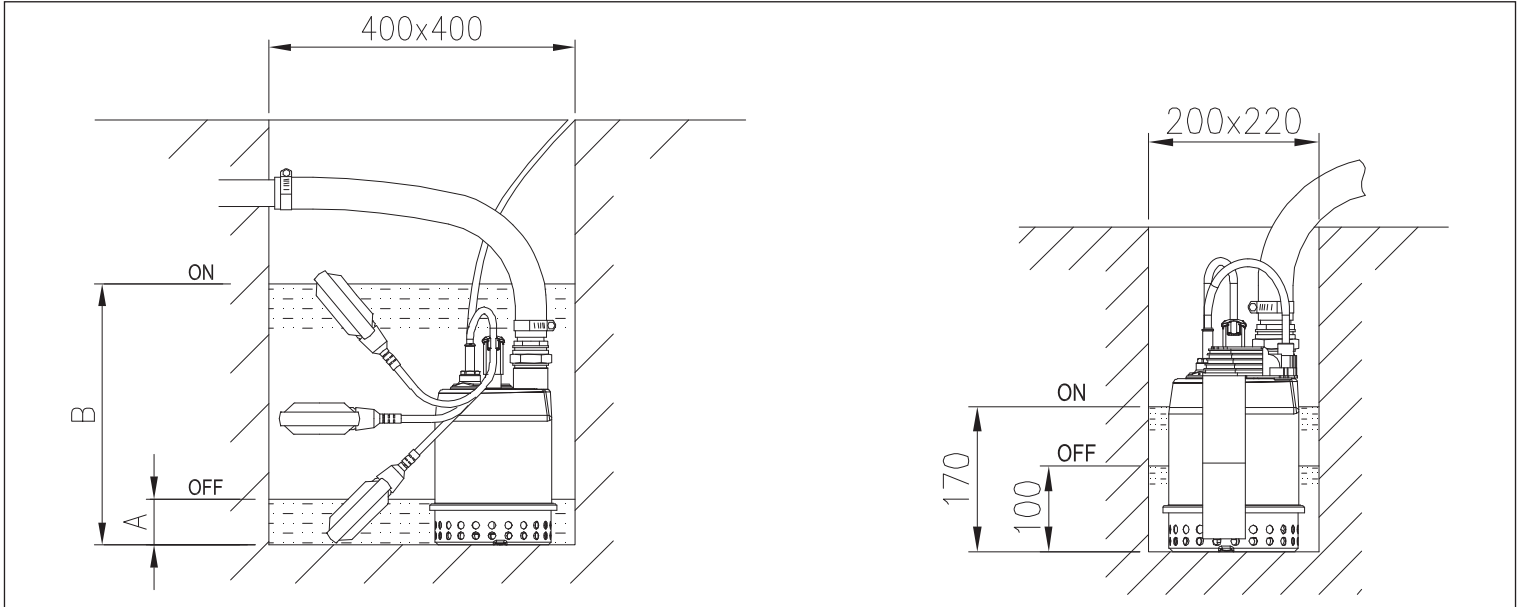
SUBMERSIBLE ELECTRIC PUMPS

in AISI 304

INSTALLATION

BEST ONE MA/ONE VOX MA

BEST ONE MS



INSTALLATION TABLE

Model	A	B
BEST ONE MA	110	305
BEST ONE VOX MA		330

OPTIONAL

MINIMUM SUCTION DEVICE



SPECIFIC PERFORMANCE

The specifications given refer to the curves illustrated in our catalogues and Data Book (see www.ebara-europe.com). All of the performance curves are calculated according to ISO 9906 Attachment A.

Tolerance according to ISO 9906 Annex A.

The curves refer to an effective speed of the 60 Hz asynchronous motors.

The measurements are made with water temperature of 20°C and cinematic viscosity of $\nu = 1 \text{ mm}^2/\text{s}$ (1 cSt).

In order to prevent the risk of overheating, the pumps must not be used at a flow rate below 10% of the maximum efficiency flow rate. During selection of the pumps, there is a safety margin of at least 1 m.

Symbols: Q = Flow rate [m^3/h]

H = Head [m]

P₁ = Power absorbed by the electric line

P₂ = Power yielded to the motor axis (power absorbed by the pump)



EBARA Pumps Europe network

HEAD OFFICE

EBARA Pumps Europe S.p.A.

Via Pacinotti, 32
36040 Brendola (VI), Italy
Phone +39 0444 706811 - Fax +39 0444 405811

Italian sales:
e-mail: ordini@ebaraeurope.com

Export sales:
e-mail: exportsales@ebaraeurope.com

Technical Customer Service (TCS):
e-mail: technical_customer_service@ebaraeurope.com
Phone +39 0444 706902/923

Marketing & Marketing Communication:
e-mail: marketing@ebaraeurope.com

ITALIAN SALES NETWORK

NORTH Region:

(Valle d'Aosta, Piemonte, Lombardia, Liguria, Trentino
Alto Adige, Veneto, Friuli Venezia Giulia, Emilia Romagna)
Regional Manager cell.: +39 348 8732512
e-mail: nord@ebaraeurope.com
Phone +39 0444 706811 - Fax +39 0444 405811

CENTRAL Region:

(Toscana, Umbria, Marche, Lazio, Abruzzo, Molise)
Regional Manager cell.: +39 335 6423286
e-mail: centro@ebaraeurope.com
Phone +39 0444 706811 - Fax +39 0444 405811

SOUTH Region:

(Campania, Basilicata, Puglia, Calabria, Sicilia)
Regional Manager cell.: +39 335 6423316
e-mail: sud@ebaraeurope.com
Phone +39 0444 706811 - Fax +39 0444 405811

INDUSTRIAL Division:

Manager cell.: +39 335 6423302
e-mail: industry@ebaraeurope.com
Phone +39 0444 706811 - Fax +39 0444 405811

WASTEWATER Division:

Manager cell.: +39 335 6423290
e-mail: ses@ebaraeurope.com
Phone +39 0444 706811 - Fax +39 0444 405811

MILANO Branch:

Via Lainate, 62
20017 Rho (MI)
Phone +39 02 93507358 - Fax +39 0444 405975
Branch Manager cell.: +39 335 6423326
e-mail: mktgmi@ebaraeurope.com

CAGLIARI Branch:

Via del Fangario, 29
09122 Cagliari
Phone +39 070 274281 - Fax +39 0444 405960
Branch Manager cell.: +39 335 6423320
e-mail: mktgca@ebaraeurope.com

PALERMO Branch

Via Don L. Sturzo, 181/183
Z.I. - 90044 Carini (PA)
Phone +39 091 8669790 - Fax +39 0444 405980
Branch Manager cell.: +39 335 6423316
e-mail: mktgpa@ebaraeurope.com

EXPORT NETWORK

EBARA Pumps Europe S.p.A. UNITED KINGDOM

Unit 7 - Zodiac Business Park
High Road - Cowley Uxbridge
Middlesex - UB8 2GU, United Kingdom
Phone +44 1895 439027 - Fax +44 1895 439028
e-mail: mktguk@ebaraeurope.com

EBARA ESPAÑA BOMBAS S.A.

C/Cormoranes 6 Y 8
Poligono Ind. La Estación
28320 Pinto (Madrid), Spain
Phone +34 916.923.630 - Fax +34 916.910.818
e-mail: marketing@ebara.es

EBARA Pumps Europe S.p.A. FRANCE

555, Rue Juliette Recamier
69970 Chaponnay, France
Phone +33 4 72769482 - Fax +33 805101071
e-mail: mktgf@ebaraeurope.com

EBARA Pumps Europe S.p.A. GERMANY

Ferdinand-Porsche-Ring 7
63110 Rodgau-Jügesheim, Germany
Phone +49 (0) 6106-660 99-0
Fax +49 (0) 6106-660 99-45
e-mail: mktgd@ebaraeurope.com

EBARA POMPY POLSKA Sp. z o.o.

ul. Działkowa 115
02-234 Warszawa, Poland
Phone +48 22 3909920 - Fax +48 22 3909929
e-mail: mktgpl@ebaraeurope.com

EBARA Pumps Europe S.p.A. MIDDLE EAST

P.O. Box 54515
Dubai Airport Free Zone
Dubai, United Arab Emirates
Phone +971 4 609 1040 - Fax +971 4 609 1038
e-mail: mktgme@ebaraeurope.com

EBARA Pumps Europe S.p.A. SAUDI ARABIA

Al Sitteen Street,
Al Jazeera commercial center, building #2, First floor
Jeddah, KSA
Phone/Fax +966 2 664 9755

EBARA Pumps Europe S.p.A INDIA LIAISON OFFICE

Bhumiraj Costarica,
Room No. 1503, Sector -18,
Palm Beach Rd., Sanpada,
Navi Mumbai, Maharashtra, India
Phone +91 22 27812862/63/64
Fax +91 22 27812865
e-mail: mktgind@ebaraeurope.com

EBARA Pumps Europe S.p.A. RUSSIA

Phone +7 985 7672672
e-mail: mktgrus@ebaraeurope.com



EBARA Pumps Europe S.p.A.

Via Pacinotti, 32
36040 Brendola (Vicenza), Italy
Phone +39 0444 706811 - Fax +39 0444 405811
e-mail: marketing@ebaraeurope.com
www.ebaraeurope.com



EBARA Corporation

11-1, Haneda Asahi-cho, Ohta-ku,
Tokyo 144-8510
Japan
Phone +81 3 6275 7598 - Fax +81 3 5736 3193
www.ebara.com