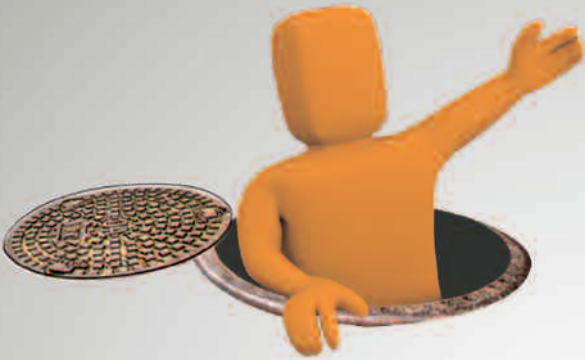




**EBARA**

**BEST 2-5  
SUBMERSIBLE ELECTRIC PUMPS**

**60 Hz**





# BEST 2-5

## SUBMERSIBLE ELECTRIC PUMPS

in AISI 304



Submersible electric pumps completely in AISI 304 stainless steel.

### APPLICATIONS

- Moving seepage water
- Draining cellars, garages and basements
- Draining small to medium cellars

### TECHNICAL DETAILS

- Versatile
- They can be used in fixed or mobile installations
- Equipped with 10 m of H07 RN-F power supply cable
- Available with or without float switch

### TECHNICAL DATA

- Maximum immersion: 10 m
- Maximum temperature of the liquid: 35°C
- Max. solids size for passage (suspended particles): 10 mm
- Self-ventilated 2 pole asynchronous motor
- Class of insulation F
- IPX8 Protection rating
- 110-115V ±6%, 60Hz single phase voltage, 220-230V ±6%, 60Hz single phase voltage, 220/380V -6% +10%, 60Hz three phase voltage
- Permanent capacitor inserted and thermo-amperometric protection with automatic rearm incorporated for the single phase motor
- G1½ Discharge connection

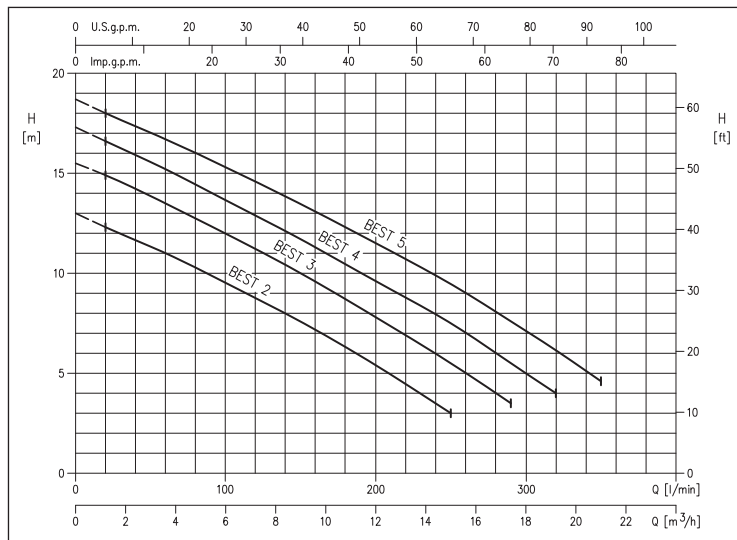
### MATERIALS

- Pump body, impeller, casing cover, motor cover, seal cover and motor frame in AISI 304
- Shaft in AISI 303 (part in contact with the liquid)
- Twin mechanical seal with oil chamber:
  - upper in Carbon/Ceramic/NBR (motor side)
  - lower in SiC/SiC/NBR (pump side)

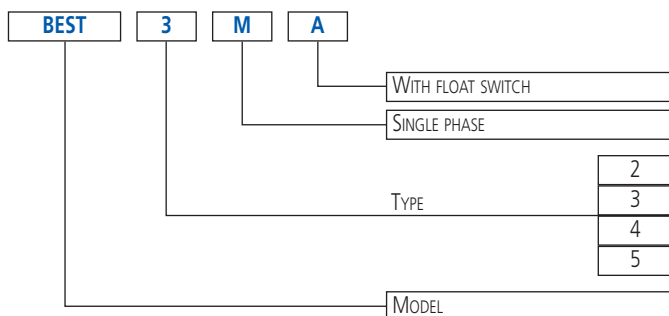
### SPECIAL VERSIONS

- MA version with float switch

### PERFORMANCE CURVES (according to ISO 9906 Attachment A)



### IDENTIFICATION CODE



# BEST 2-5

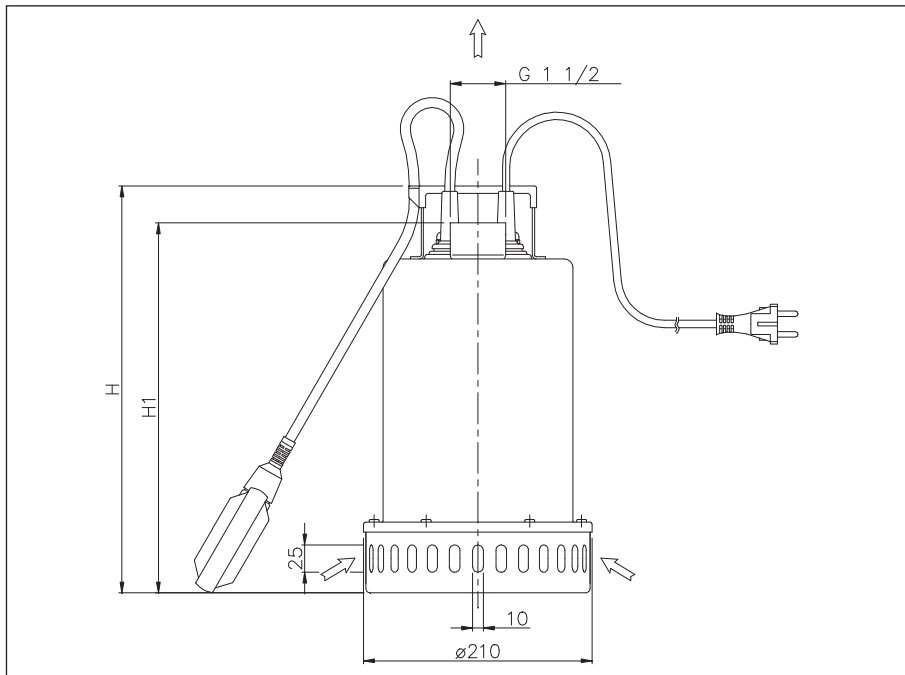
## SUBMERSIBLE ELECTRIC PUMPS

in AISI 304

### PERFORMANCE TABLE

Single phase 110-115V/220-230V	Model	Three phase 220/380V	P <sub>2</sub>		Q=Flow rate												
			[HP]	[kW]	l/min	20	50	100	150	200	250	290	320	350			
					m <sup>3</sup> /h	1,2	3	6	9	12	15	17,4	19,2	21			
					H=Head [m]												
BEST 2 M	BEST 2		0,75	0,55	12,3	11,4	9,5	7,6	5,4	3	-	-	-	-	-		
BEST 3 M	BEST 3		1	0,75	14,9	13,8	12,0	10	7,8	5,5	3,5	-	-	-	-		
BEST 4 M	BEST 4		1,5	1,1	16,6	15,5	13,7	11,7	9,6	7,5	5,5	4	-	-	-		
-	BEST 5		2	1,5	18,0	17	15,3	13,5	11,5	9,5	7,6	6,2	4,6	-	-		

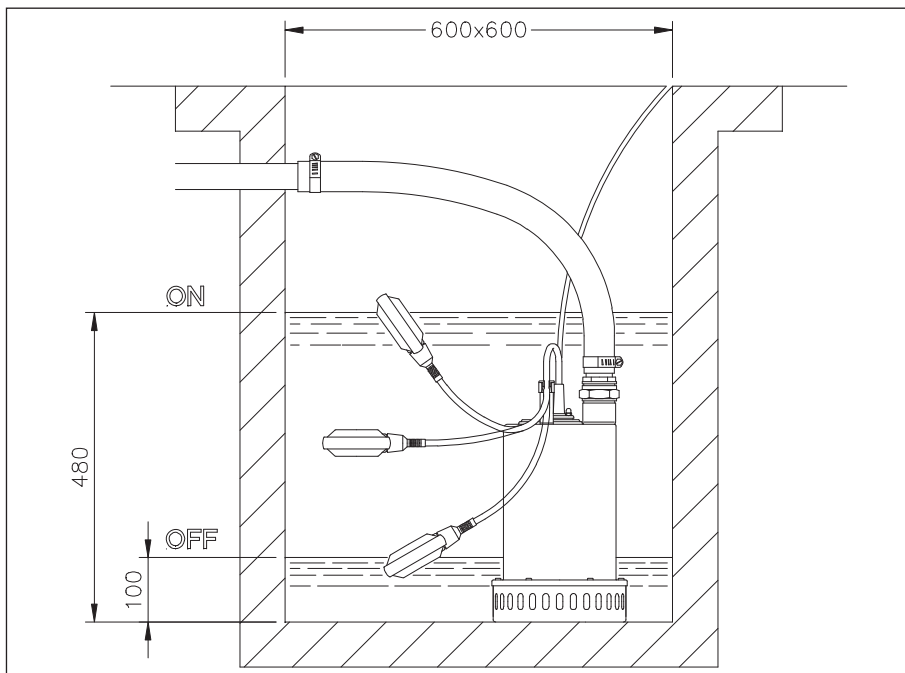
### DIMENSIONS



### DIMENSIONAL TABLE

Model	Dimensions [mm]		Weight [kg]		
	H	H1	MA	1~ M	3~
BEST 2	352	315	12,0	11,5	11,5
BEST 3	352	315	12,7	12,2	12,2
BEST 4	377	340	13,8	13,3	13,3
BEST 5	377	340	-	-	13,3

### INSTALLATION

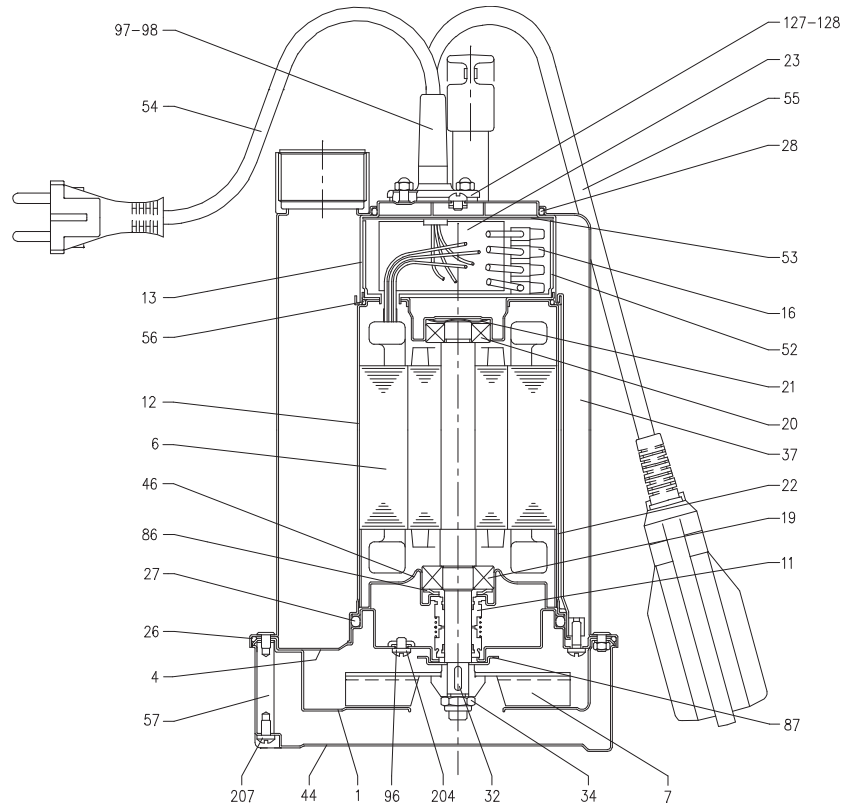


# BEST 2-5

## SUBMERSIBLE ELECTRIC PUMPS

in AISI 304

### SECTIONAL VIEW



### MATERIALS TABLE

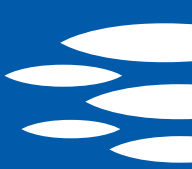
Ref.	Name	Material	Ref.	Name	Material
1	Volute	AISI 304	37	Pump casing	AISI 304
4	Motor bracket	AISI 304	44	Strainer	AISI 304
6	Shaft	AISI 303	46	Bearing housing	AISI 304
7	Impeller	AISI 304	52	Terminal insulating box	PA66
11	Mechanical seal	NBR	53	Terminal insulating cover	PA66
12	Motor frame with stator	-	54	Power cable	-
13	Motor cover	AISI 304	55	Float switch [1]	-
16	Terminal	-	56	O-Ring	NBR
19	Pump side ball bearing	-	57	Bolt	AISI 303
20	Fan side ball bearing	-	86	Washer	AISI 304
21	Adjusting ring	Steel C70	87	Impeller ring	AISI 304
22	Tie rod	AISI 304	96	O-Ring	NBR
23	Capacitor [2]	-	97	Cable connector [1]	NBR
26	O-Ring	NBR	98	Cable connector	NBR
27	O-Ring	NBR	127	Cable connector [1]	AISI 304
28	O-Ring	NBR	128	Cable connector	AISI 304
32	Key	AISI 304	204	Screw	Stainless steel A2 UNI 7323
34	Impeller nut	AISI 304	207	Screw	Stainless steel A2 UNI 7323

[1] Only for single phase version with float switch

[2] Only for single phase version

### ELECTRIC DATA TABLE

Model		P <sub>2</sub>		Capacitor				P <sub>1</sub>		Absorbed Current [A]			
Single phase 110-115V/220-230V	Three phase 220/380V	[HP]	[kW]	Single phase				Single phase [kW]	Three phase [kW]	[A]			
				110-115V μF	V <sub>c</sub>	220-230V μF	V <sub>c</sub>			Single phase 110-115V	220-230V	Three phase 220V	380V
BEST 2 M	BEST 2	0,75	0,55	56,5	250	16	450	0,99	0,83	10,0	4,8	3,0	1,7
BEST 3 M	BEST 3	1	0,75	31,5	250	16	450	1,3	1,2	12,1	6,0	3,8	2,2
BEST 4 M	BEST 4	1,5	1,1	-	-	25	450	1,48	1,4	-	7,2	4,8	2,8
-	BEST 5	2	1,5	-	-	-	-	-	1,68	-	-	-	3,2



### SPECIFIC PERFORMANCE

The specifications given refer to the curves illustrated in our catalogues and Data Book (see [www.ebara-europe.com](http://www.ebara-europe.com)). All of the performance curves are calculated according to ISO 9906 Attachment A.

Tolerance according to ISO 9906 Annex A.

The curves refer to an effective speed of the 60 Hz asynchronous motors.

The measurements are made with water temperature of 20°C and cinematic viscosity of  $\nu = 1 \text{ mm}^2/\text{s}$  (1 cSt).

In order to prevent the risk of overheating, the pumps must not be used at a flow rate below 10% of the maximum efficiency flow rate. During selection of the pumps, there is a safety margin of at least 1 m.

- Symbols:
- Q = Flow rate [ $\text{m}^3/\text{h}$ ]
  - H = Head [m]
  - P<sub>1</sub> = Power absorbed by the electric line
  - P<sub>2</sub> = Power yielded to the motor axis (power absorbed by the pump)



## EBARA Pumps Europe network

### HEAD OFFICE

#### EBARA Pumps Europe S.p.A.

Via Pacinotti, 32  
36040 Brendola (VI), Italy  
Phone +39 0444 706811 - Fax +39 0444 405811

Italian sales:  
e-mail: ordini@ebaraeurope.com

Export sales:  
e-mail: exportsales@ebaraeurope.com

Technical Customer Service (TCS):  
e-mail: technical\_customer\_service@ebaraeurope.com  
Phone +39 0444 706902/923

Marketing & Marketing Communication:  
e-mail: marketing@ebaraeurope.com

### ITALIAN SALES NETWORK

#### NORTH Region:

(Valle d'Aosta, Piemonte, Lombardia, Liguria, Trentino  
Alto Adige, Veneto, Friuli Venezia Giulia, Emilia Romagna)  
Regional Manager cell.: +39 348 8732512  
e-mail: nord@ebaraeurope.com  
Phone +39 0444 706811 - Fax +39 0444 405811

#### CENTRAL Region:

(Toscana, Umbria, Marche, Lazio, Abruzzo, Molise)  
Regional Manager cell.: +39 335 6423286  
e-mail: centro@ebaraeurope.com  
Phone +39 0444 706811 - Fax +39 0444 405811

#### SOUTH Region:

(Campania, Basilicata, Puglia, Calabria, Sicilia)  
Regional Manager cell.: +39 335 6423316  
e-mail: sud@ebaraeurope.com  
Phone +39 0444 706811 - Fax +39 0444 405811

#### INDUSTRIAL Division:

Manager cell.: +39 335 6423302  
e-mail: industry@ebaraeurope.com  
Phone +39 0444 706811 - Fax +39 0444 405811

#### WASTEWATER Division:

Manager cell.: +39 335 6423290  
e-mail: ses@ebaraeurope.com  
Phone +39 0444 706811 - Fax +39 0444 405811

#### MILANO Branch:

Via Lainate, 62  
20017 Rho (MI)  
Phone +39 02 93507358 - Fax +39 0444 405975  
Branch Manager cell.: +39 335 6423276  
e-mail: mktgmi@ebaraeurope.com

#### CAGLIARI Branch:

Via del Fangario, 29  
09122 Cagliari  
Phone +39 070 274281 - Fax +39 0444 405960  
Branch Manager cell.: +39 335 6423320  
e-mail: mktgca@ebaraeurope.com

#### PALERMO Branch

Via Don L. Sturzo, 181/183  
Z.I. - 90044 Carini (PA)  
Phone +39 091 8669790 - Fax +39 0444 405980  
Branch Manager cell.: +39 335 6423316  
e-mail: mktgpa@ebaraeurope.com

### EXPORT NETWORK

#### EBARA Pumps Europe S.p.A. UNITED KINGDOM

Unit 7 - Zodiac Business Park  
High Road - Cowley Uxbridge  
Middlesex - UB8 2GU, United Kingdom  
Phone +44 1895 439027 - Fax +44 1895 439028  
e-mail: mktguk@ebaraeurope.com

#### EBARA ESPAÑA BOMBAS S.A.

C/Cormoranes 6 Y 8  
Poligono Ind. La Estación  
28320 Pinto (Madrid), Spain  
Phone +34 916.923.630 - Fax +34 916.910.818  
e-mail: marketing@ebara.es

#### EBARA Pumps Europe S.p.A. FRANCE

555, Rue Juliette Recamier  
69970 Chaponnay, France  
Phone +33 4 72769482 - Fax +33 805101071  
e-mail: mktgfr@ebaraeurope.com

#### EBARA Pumps Europe S.p.A. GERMANY

Ferdinand-Porsche-Ring 7  
63110 Rodgau-Jügesheim, Germany  
Phone +49 (0) 6106-660 99-0  
Fax +49 (0) 6106-660 99-45  
e-mail: mktgde@ebaraeurope.com

#### EBARA POMPY POLSKA Sp. z o.o.

ul. Działkowa 115  
02-234 Warszawa, Poland  
Phone +48 22 3909920 - Fax +48 22 3909929  
e-mail: mktgpl@ebaraeurope.com

#### EBARA Pumps Europe S.p.A. MIDDLE EAST

P.O. Box 54515  
Dubai Airport Free Zone  
Dubai, United Arab Emirates  
Phone +971 4 609 1040 - Fax +971 4 609 1038  
e-mail: mktgme@ebaraeurope.com

#### EBARA Pumps Europe S.p.A. SAUDI ARABIA

Al Sitteen Street,  
Al Jazeera commercial center, building #2, First floor  
Jeddah, KSA  
Phone/Fax +966 2 664 9755

#### EBARA Pumps Europe S.p.A INDIA LIAISON OFFICE

Bhumiraj Costarica,  
Room No. 1503, Sector -18,  
Palm Beach Rd., Sanpada,  
Navi Mumbai, Maharashtra, India  
Phone +91 22 27812862/63/64  
Fax +91 22 27812865  
e-mail: mktgind@ebaraeurope.com

#### EBARA Pumps Europe S.p.A. RUSSIA

Phone +7 985 7672672  
e-mail: mktgrus@ebaraeurope.com



### EBARA Pumps Europe S.p.A.

Via Pacinotti, 32  
36040 Brendola (Vicenza), Italy  
Phone +39 0444 706811 - Fax +39 0444 405811  
e-mail: marketing@ebaraeurope.com  
www.ebaraeurope.com



### EBARA Corporation

11-1, Haneda Asahi-cho, Ohta-ku,  
Tokyo 144-8510  
Japan  
Phone +81 3 6275 7598 - Fax +81 3 5736 3193  
www.ebara.com