



**EBARA**

**3D SERIES**  
**CENTRIFUGAL PUMPS CLOSE COUPLED**  
**AND STANDARDIZED EN733**

**60 Hz**





# 3D SERIES

## CENTRIFUGAL PUMPS CLOSE COUPLED AND STANDARDIZED EN 733

Centrifugal pumps close coupled (3D) and standardized EN 733 (3DS-3DP) in cast iron.



### APPLICATIONS

- Water and clean liquids not chemically aggressive handling
- Water supply
- Pressure boosting
- Washing and industrial plants
- Water circulation in air-conditioning systems
- Irrigation and agriculture

### TECHNICAL DETAILS

- Highly resistant construction
- Impeller in stainless steel
- High efficiency

### PUMP TECHNICAL DATA

- Maximum working pressure: 10 bar
- Temperature of the liquid:
  - 5°C ÷ +90°C
  - 5°C ÷ +110°C (H-HS-HW-HSW versions)
  - 5°C ÷ +120°C (E version)

### MOTOR TECHNICAL DATA

- IE3 high energy-efficiency motors starting from 2,2 up to 22 kW (only for 3D 460V)
- Self-ventilated asynchronous motor
- Insulation class: 3D = F
  - 3DS - 3DP = F (B for high temperatures)
- Protection degree IP 55
- 220/380-460V ±10% for 3D (up to 4.0kW included), 380-460/660V ±10% for 3D (from 5,5 kW and above), 265/460V ±10% for 3DS - 3DP (up to 4.0kW included), 460V ±10% for 3DS - 3DP (from 5,5 kW and above),
- Protection is user's responsibility

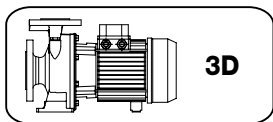
### MATERIALS

- Pump casing in cast iron EN-GJL-250-EN 1561
- Impeller in:
  - AISI 304 for 3D(.) SERIES 32, 40, 50
  - AISI 316 microcasted for 3D(.) SERIES 65
- Shaft in AISI 304 (part in contact with the liquid)
- Mechanical seal in:
  - Ceramic/Carbon/NBR (standard)
  - Ceramic/Carbon/FPM (H version)
  - SiC/SiC/FPM (HS version)
  - Tungsten Carbide/Tungsten Carbide/FPM (HW version)
  - SiC/Tungsten Carbide/FPM (HSW version)
  - Ceramic/Carbon/EPDM (E version)

### SPECIAL VERSIONS

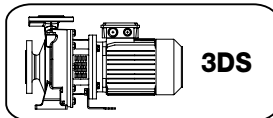
- Special voltages
- Special mechanical seals

### Available in 3 different versions with 2 and poles motors



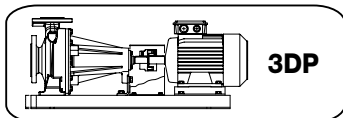
**3D**

Monobloc with extended motor shaft



**3DS**

Monobloc with standard motor and rigid joint



**3DP**

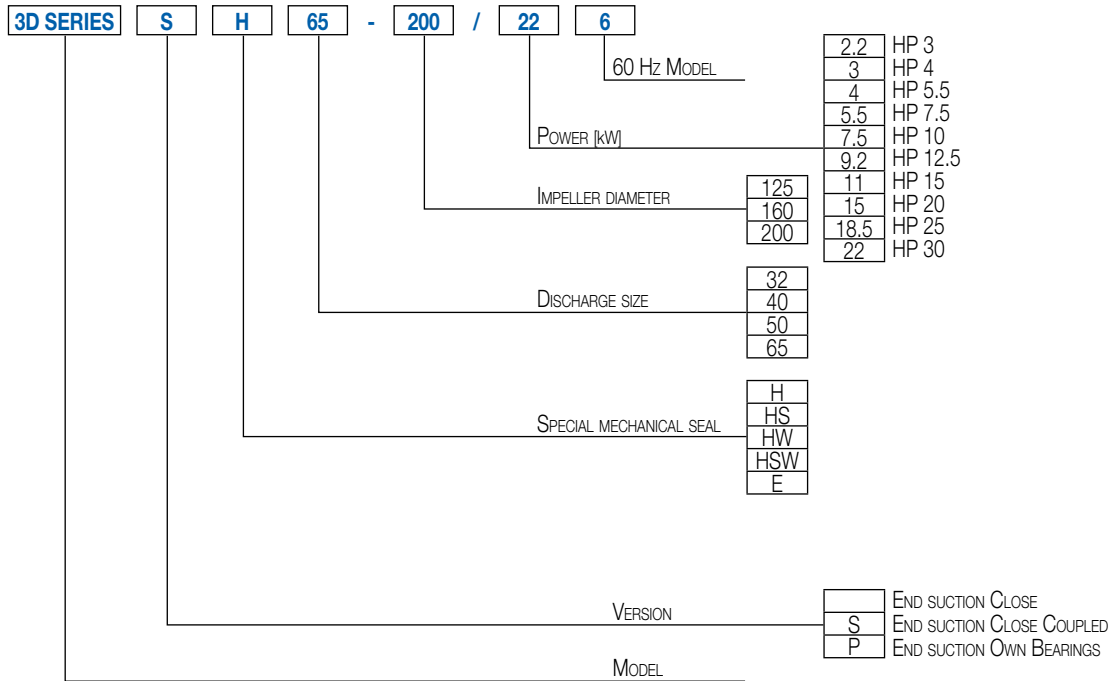
On base, with standard motor and flexible coupling



# 3D SERIES

## CENTRIFUGAL PUMPS CLOSE COUPLED AND STANDARDIZED EN 733

### IDENTIFICATION CODE



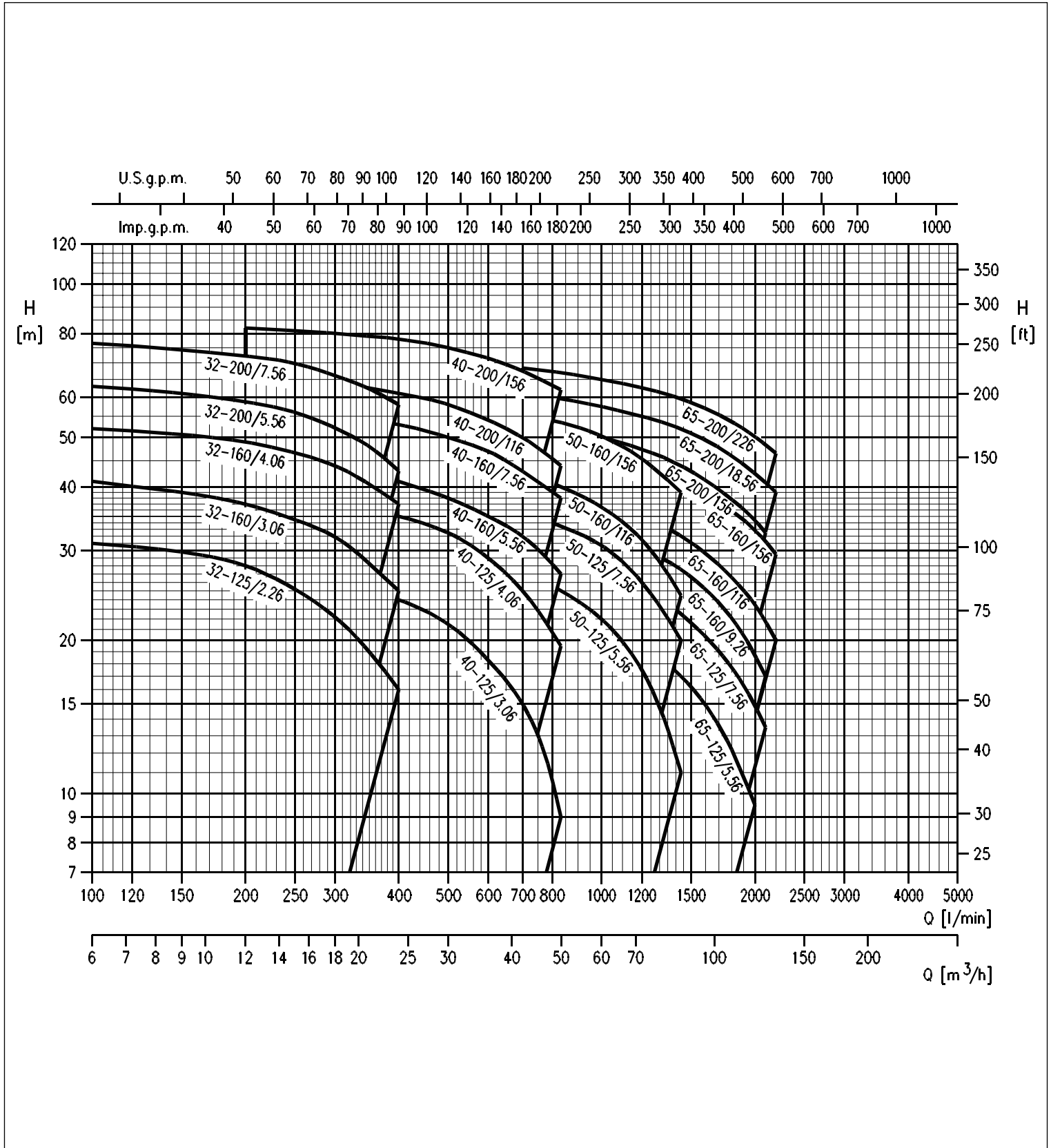
The contents of this publication must not be regarded as binding. EBARA Pumps Europe S.p.A. reserves the right to effect any modification it deems necessary, without prior notice.



# 3D SERIES

## CENTRIFUGAL PUMPS CLOSE COUPLED AND STANDARDIZED EN 733

PERFORMANCE CHART at 3600 min<sup>-1</sup> (according to ISO 9906 Attachment A)



The contents of this publication must not be regarded as binding. EBARA Pumps Europe S.p.A. reserves the right to effect any modification it deems necessary without prior notice.

# 3D SERIES

## CENTRIFUGAL PUMPS CLOSE COUPLED AND STANDARDIZED EN 733

PERFORMANCE TABLE 3D(.) SERIES 32

Model	P <sub>2</sub>		Q=Flow rate							
	[HP]	[kW]	l/min m <sup>3</sup> /h	100	150	200	250	300	350	400
			H=Head [m]							
32-125/2.26	2,2	3	6	32,5	31,4	29,6	27,2	24,4	21,4	18,0
32-160/3.06	3	4	6	41,5	40,0	38,4	35,9	32,8	29,3	25,0
32-160/4.06	4	5,5	6	53,0	51,5	49,5	47,0	44,5	41,5	38,0
32-200/5.56	5,5	7,5	6	62,5	61,5	59,0	56,5	53,5	50,0	46,0
32-200/7.56	7,5	10	6	74,0	72,5	70,5	68,5	65,0	61,5	58,0

PERFORMANCE TABLE 3D(.) SERIES 40

Model	P <sub>2</sub>		Q=Flow rate							
	[HP]	[kW]	l/min m <sup>3</sup> /h	200	300	400	500	600	700	833
			H=Head [m]							
40-125/3.06	3	4	12	26,7	25,5	23,6	21,1	18,3	14,8	9,5
40-125/4.06	4	5,5	12	36,5	35,8	34,6	32,7	30,2	27,1	22,7
40-160/5.56	5,5	7,5	12	43,5	42,0	39,8	37,2	34,6	31,8	27,5
40-160/7.56	7,5	10	12	54,0	52,5	50,5	48,0	45,5	42,5	38,5
40-200/116	11	15	12	65,0	63,5	62,0	60,0	57,0	54,0	49,5
40-200/156	15	20	12	80,0	78,5	77,0	75,0	73,0	70,5	66,5

PERFORMANCE TABLE 3D(.) SERIES 50

Model	P <sub>2</sub>		Q=Flow rate							
	[HP]	[kW]	l/min m <sup>3</sup> /h	500	600	700	800	1000	1200	1433
			H=Head [m]							
50-125/5.56	5,5	7,5	30	31,8	31,2	30,2	28,9	25,6	21,7	16,8
50-125/7.56	7,5	10	30	37,1	36,5	35,6	34,3	31,0	27,2	22,0
50-160/116	11	15	30	46,5	45,5	44,5	43,0	39,8	35,5	29,4
50-160/156	15	20	30	56,0	55,5	54,5	53,5	50,5	46,5	40,5

PERFORMANCE TABLE 3D(.) SERIES 65

Model	P <sub>2</sub>		Q=Flow rate										
	[HP]	[kW]	l/min m <sup>3</sup> /h	600	700	900	1200	1500	1600	1800	2000	2100	2200
			H=Head [m]										
65-125/5.56	5,5	7,5	36	25,5	24,9	23,3	20,2	16,4	15,1	12,4	9,5	-	-
65-125/7.56	7,5	10	36	31,3	30,8	29,2	26,4	22,8	21,5	18,7	15,4	13,7	-
65-160/9.26	9,2	12,5	36	-	35,1	33,3	30,1	26,6	25,4	22,4	19,0	17,0	-
65-160/116	11	15	36	-	40,0	38,3	35,6	32,1	30,8	28,2	25,3	23,5	21,5
65-160/156	15	20	36	-	48,0	46,5	44,0	40,5	39,2	36,5	33,7	32,2	30,5
65-200/156	15	20	36	-	53,0	51,0	47,0	42,0	39,9	35,6	30,7	28	-
65-200/18.56	18,5	25	36	-	60,5	58,5	55	50,5	48,5	44,5	39,9	37,4	35,0
65-200/226	22	30	36	-	67,5	66	62,5	58,5	56,5	53,0	49,0	47,0	44,5

(M) Single phase version only for 3D SERIES

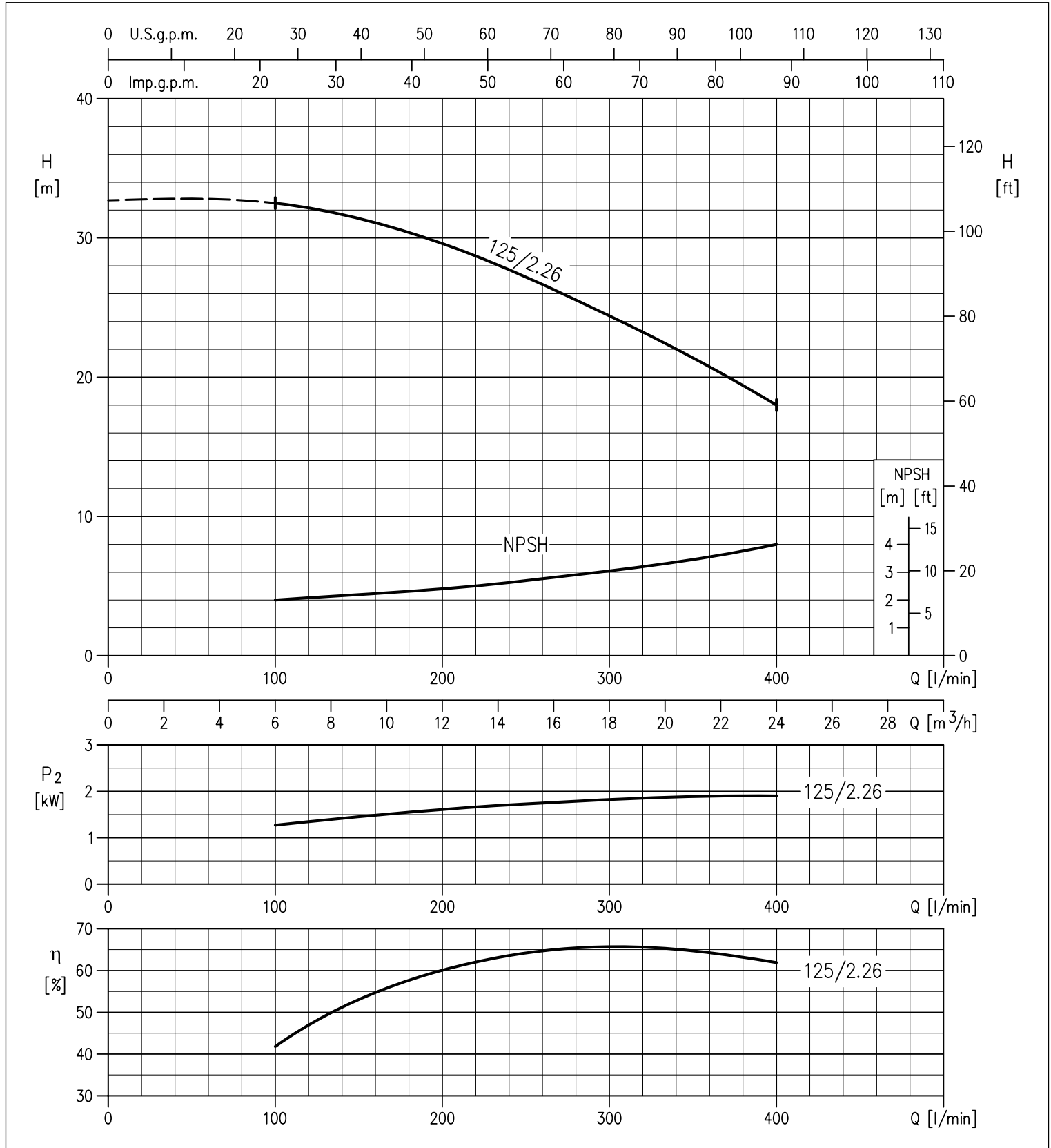
The contents of this publication shall not be regarded as binding. EBARA Pumps Europe S.p.A. reserves the right to effect any modification it deems necessary, without prior notice.



# 3D SERIES

## CENTRIFUGAL PUMPS CLOSE COUPLED AND STANDARDIZED EN 733

PERFORMANCE CURVES 3D(.) SERIES 32-125 at 3600 min<sup>-1</sup> (according to ISO 9906 Attachment A)



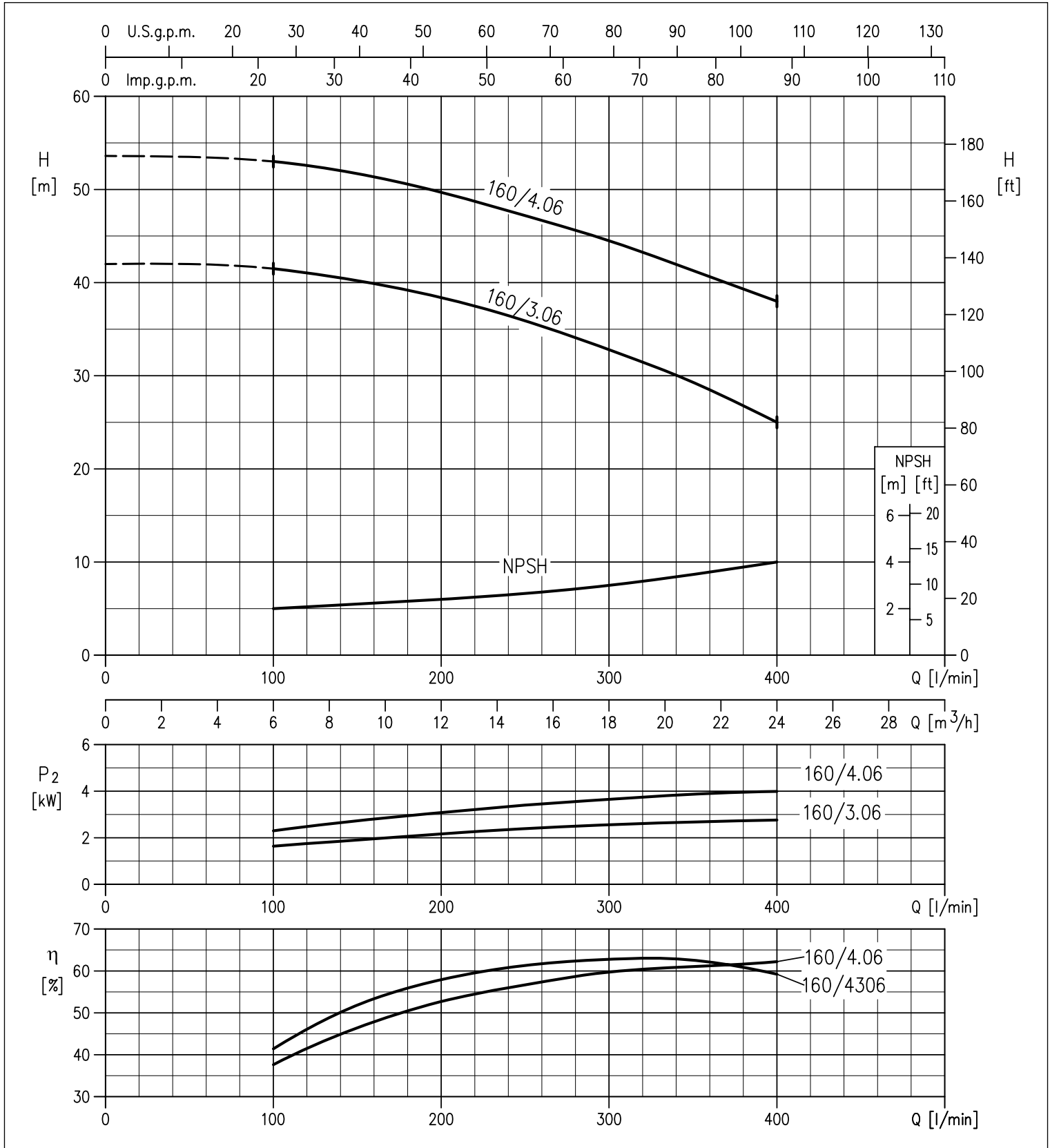
The contents of this publication must not be regarded as binding. EBARA Pumps Europe S.p.A. reserves the right to effect any modification it deems necessary without prior notice.



# 3D SERIES

## CENTRIFUGAL PUMPS CLOSE COUPLED AND STANDARDIZED EN 733

PERFORMANCE CURVES 3D(.) SERIES 32-160 at 3600 min<sup>-1</sup> (according to ISO 9906 Attachment A)



The contents of this publication must not be regarded as binding. EBARA Pumps Europe S.p.A. reserves the right to effect any modification it deems necessary, without prior notice.

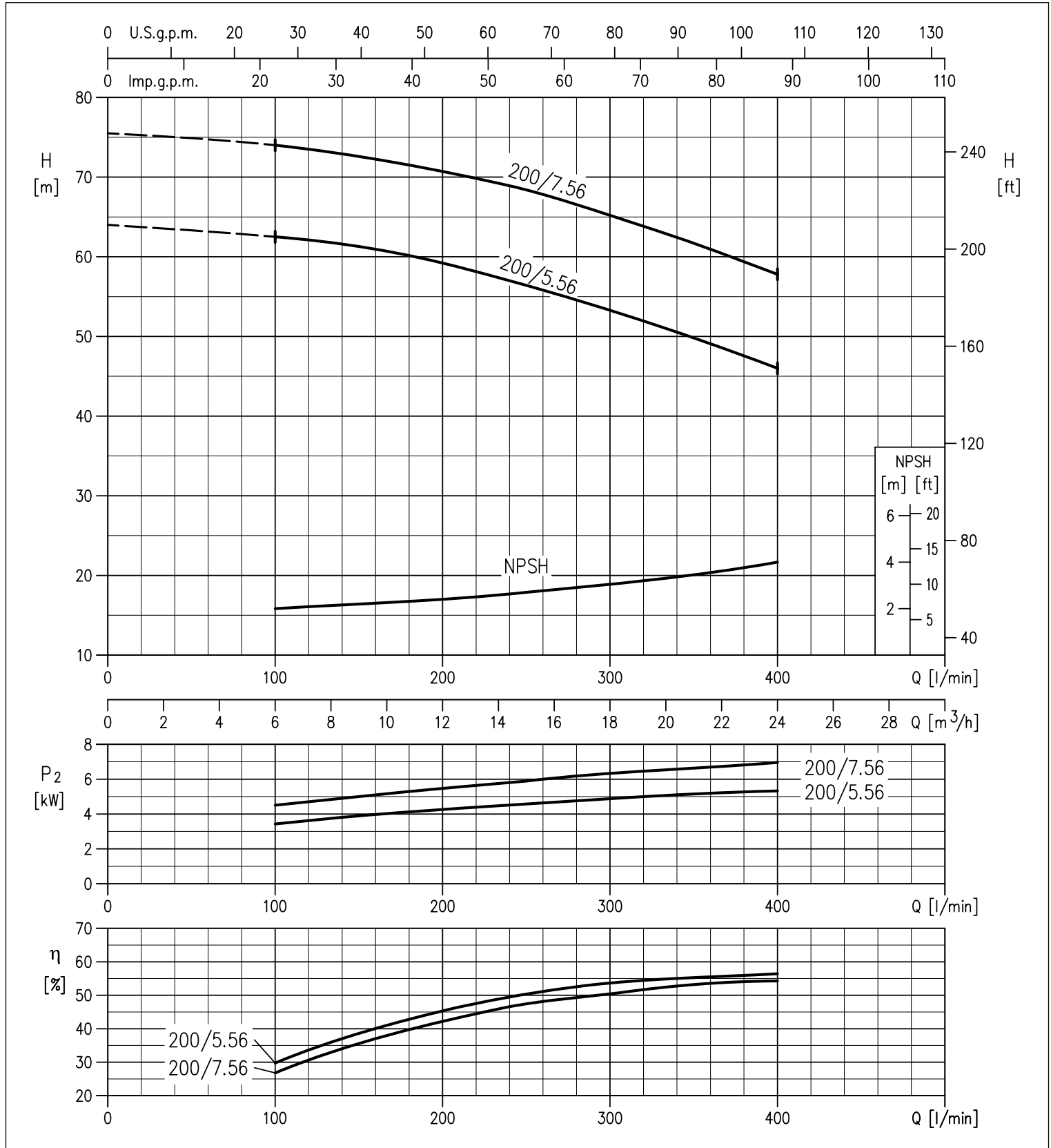




# 3D SERIES

## CENTRIFUGAL PUMPS CLOSE COUPLED AND STANDARDIZED EN 733

PERFORMANCE CURVES 3D(.) SERIES 32-200 at 3600 min<sup>-1</sup> (according to ISO 9906 Attachment A)



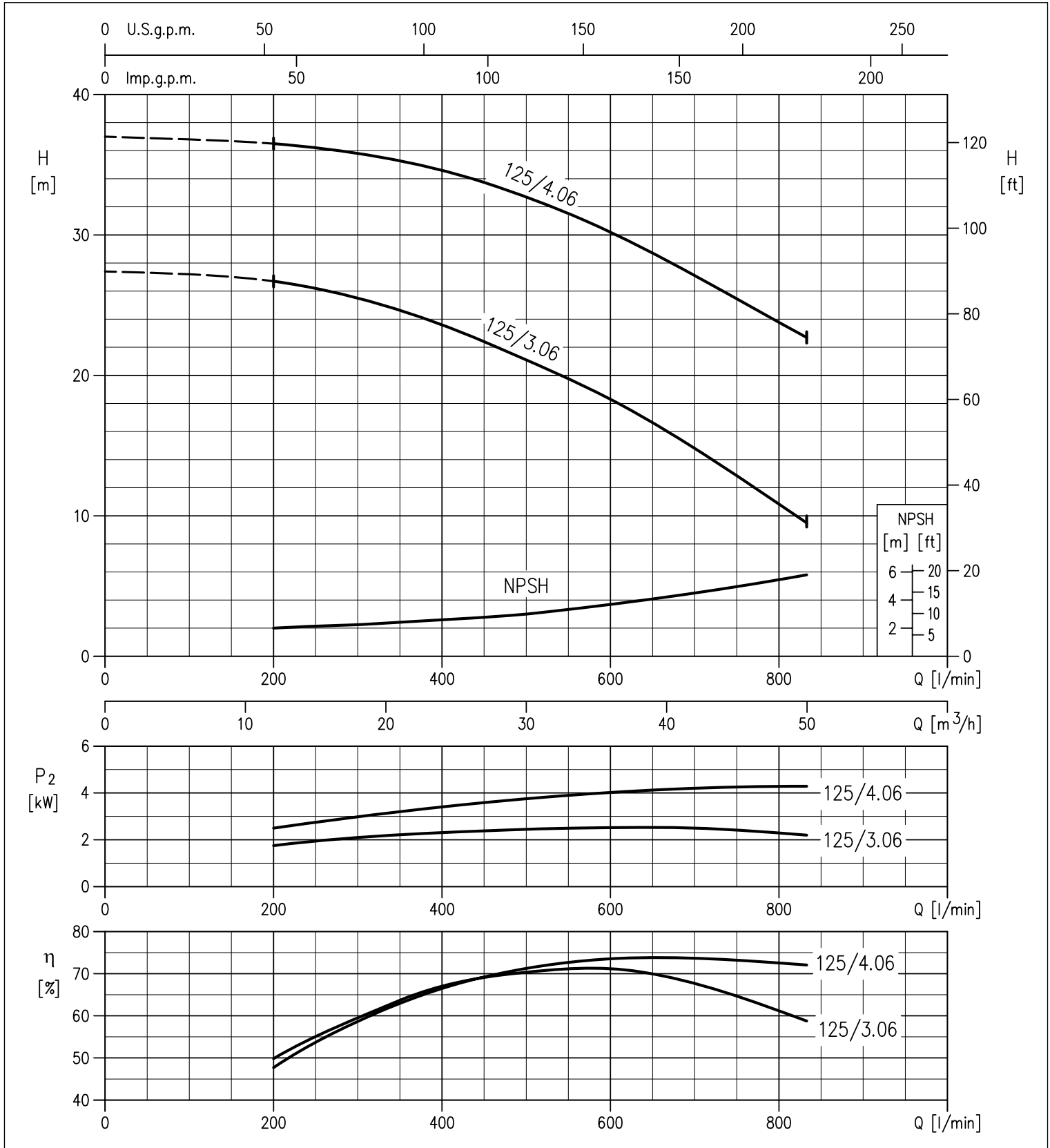
The contents of the publication must not be regarded as binding. EBARA Pumps Europe S.p.A. reserves the right to effect any modification it deems necessary without prior notice.



# 3D SERIES

## CENTRIFUGAL PUMPS CLOSE COUPLED AND STANDARDIZED EN 733

PERFORMANCE CURVES 3D(.) SERIES 40-125 at 3600 min<sup>-1</sup> (according to ISO 9906 Attachment A)



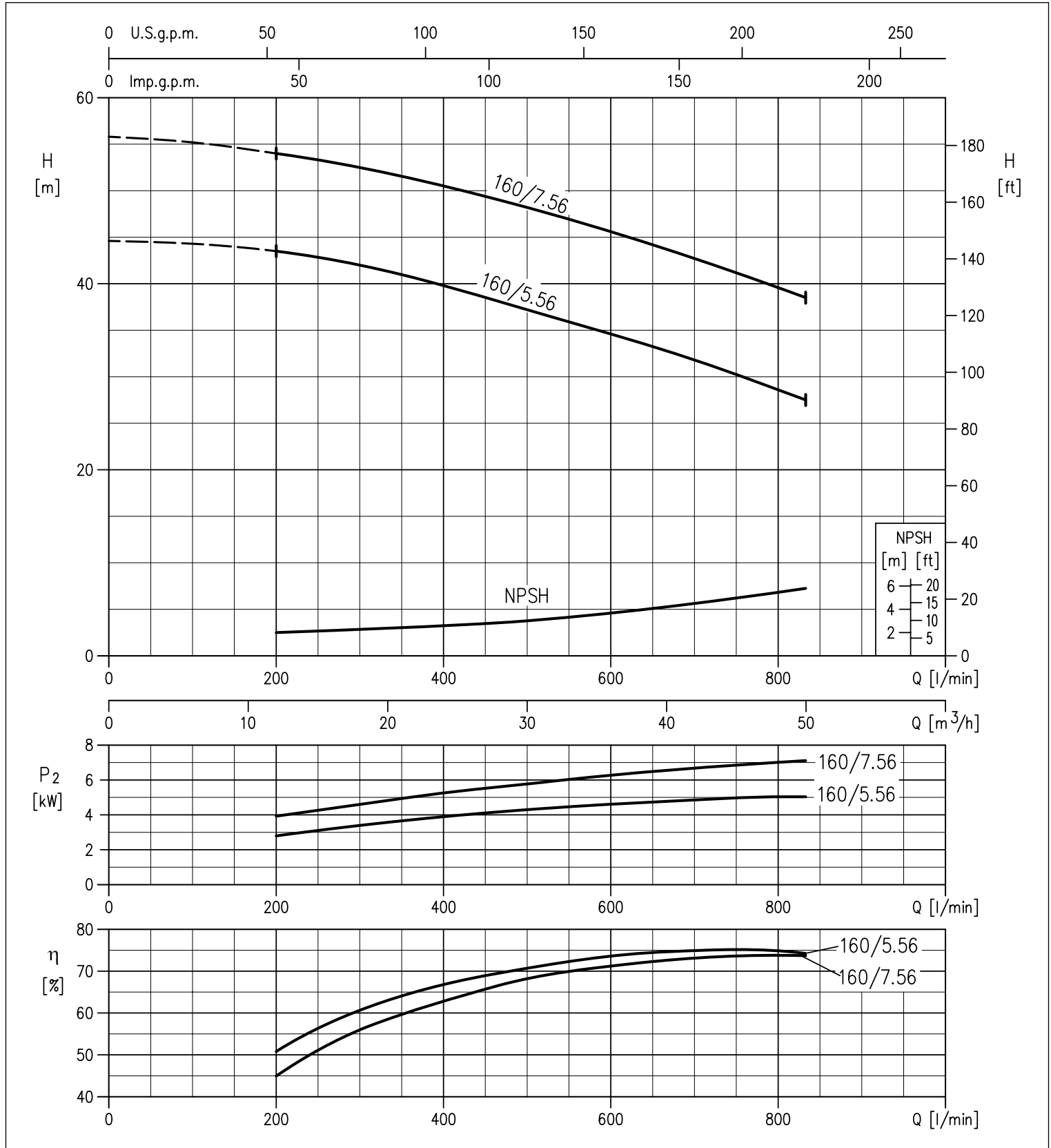
The contents of this publication must not be regarded as binding. EBARA Pumps Europe S.p.A. reserves the right to effect any modification it deems necessary, without prior notice.



# 3D SERIES

## CENTRIFUGAL PUMPS CLOSE COUPLED AND STANDARDIZED EN 733

PERFORMANCE CURVES 3D(.) SERIES 40-160 at 3600 min<sup>-1</sup> (according to ISO 9906 Attachment A)



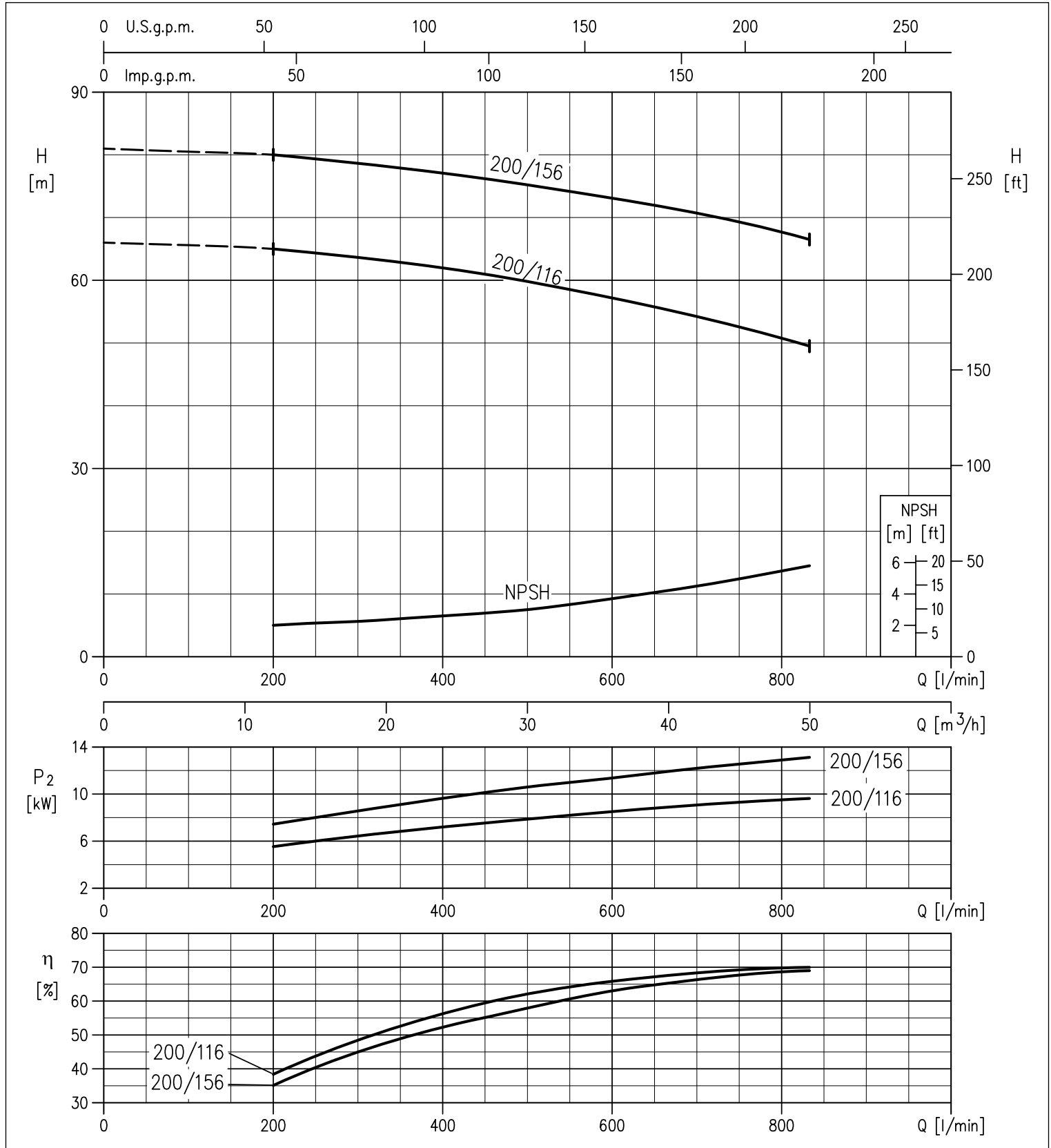
The contents of this publication must not be regarded as binding. EBARA Pumps Europe S.p.A. reserves the right to effect any modification it deems necessary without prior notice.



# 3D SERIES

## CENTRIFUGAL PUMPS CLOSE COUPLED AND STANDARDIZED EN 733

PERFORMANCE CURVES 3D(.) SERIES 40-200 at 3600 min<sup>-1</sup> (according to ISO 9906 Attachment A)



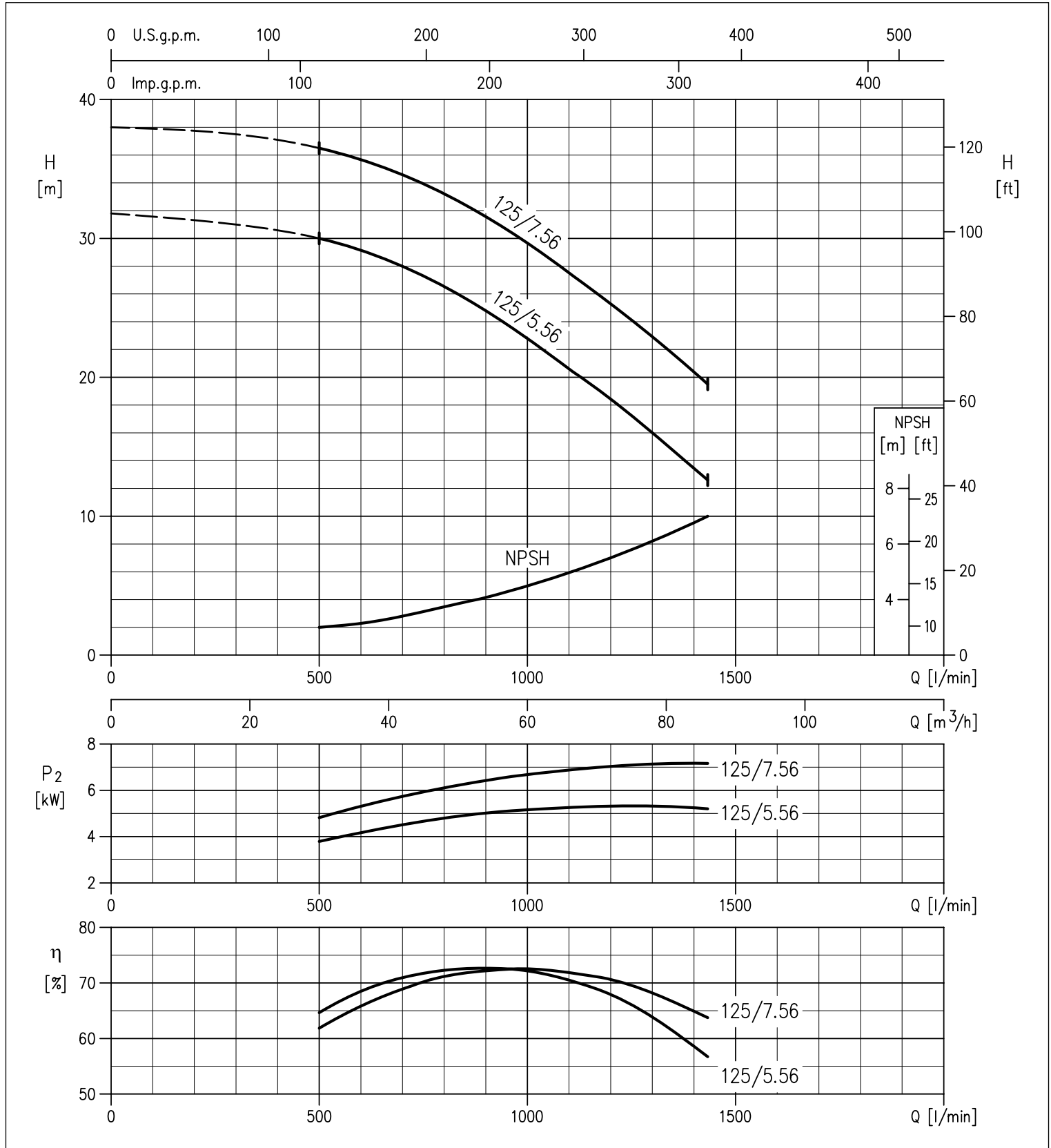
The contents of this publication must not be regarded as binding. EBARA Pumps Europe S.p.A. reserves the right to effect any modification it deems necessary, without prior notice.



# 3D SERIES

## CENTRIFUGAL PUMPS CLOSE COUPLED AND STANDARDIZED EN 733

PERFORMANCE CURVES 3D(.) SERIES 50-125 at 3600 min<sup>-1</sup> (according to ISO 9906 Attachment A)



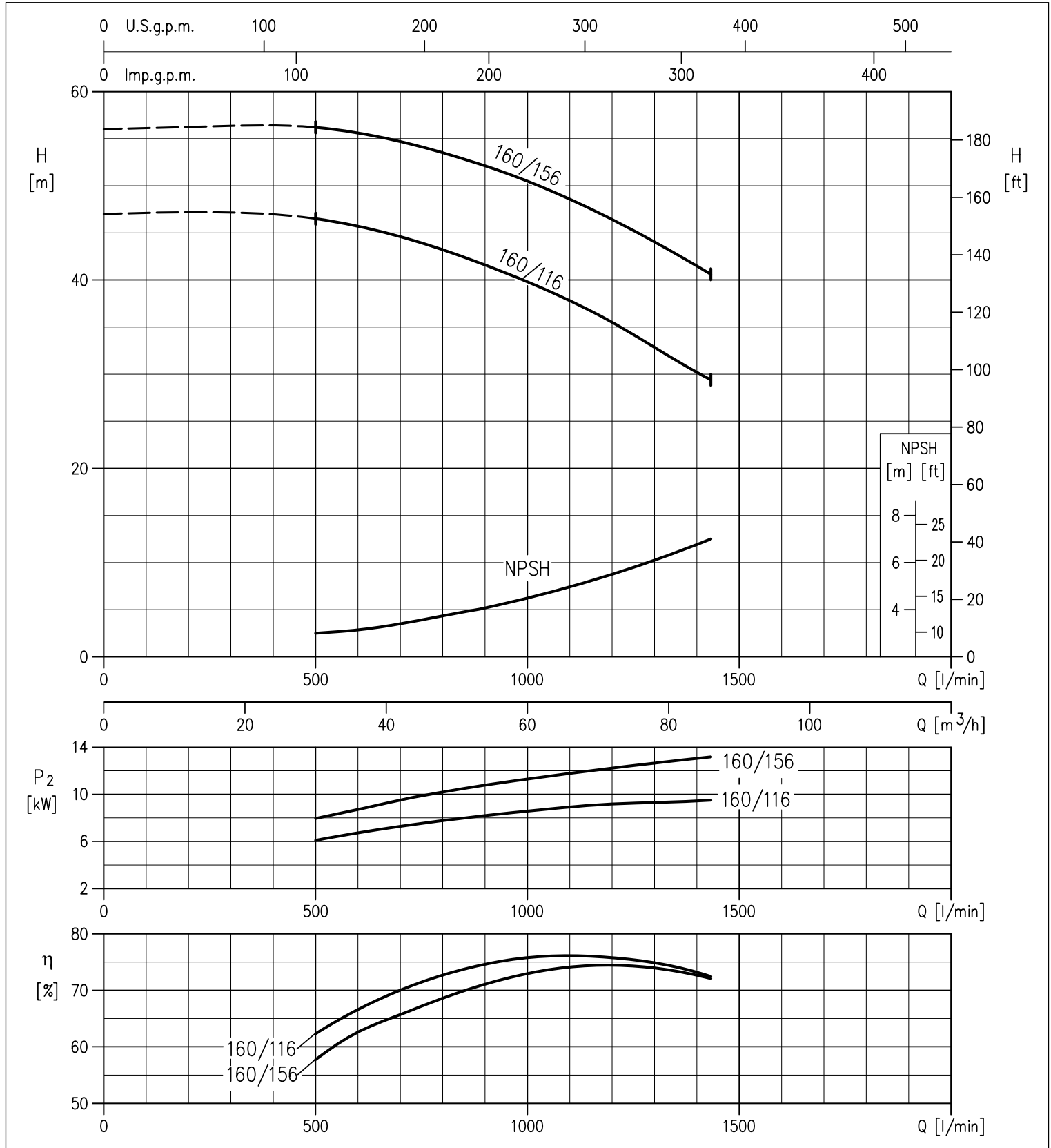
The contents of this publication must not be regarded as binding. EBARA Pumps Europe S.p.A. reserves the right to effect any modification it deems necessary without prior notice.



# 3D SERIES

## CENTRIFUGAL PUMPS CLOSE COUPLED AND STANDARDIZED EN 733

PERFORMANCE CURVES 3D(.) SERIES 50-160 at 3600 min<sup>-1</sup> (according to ISO 9906 Attachment A)



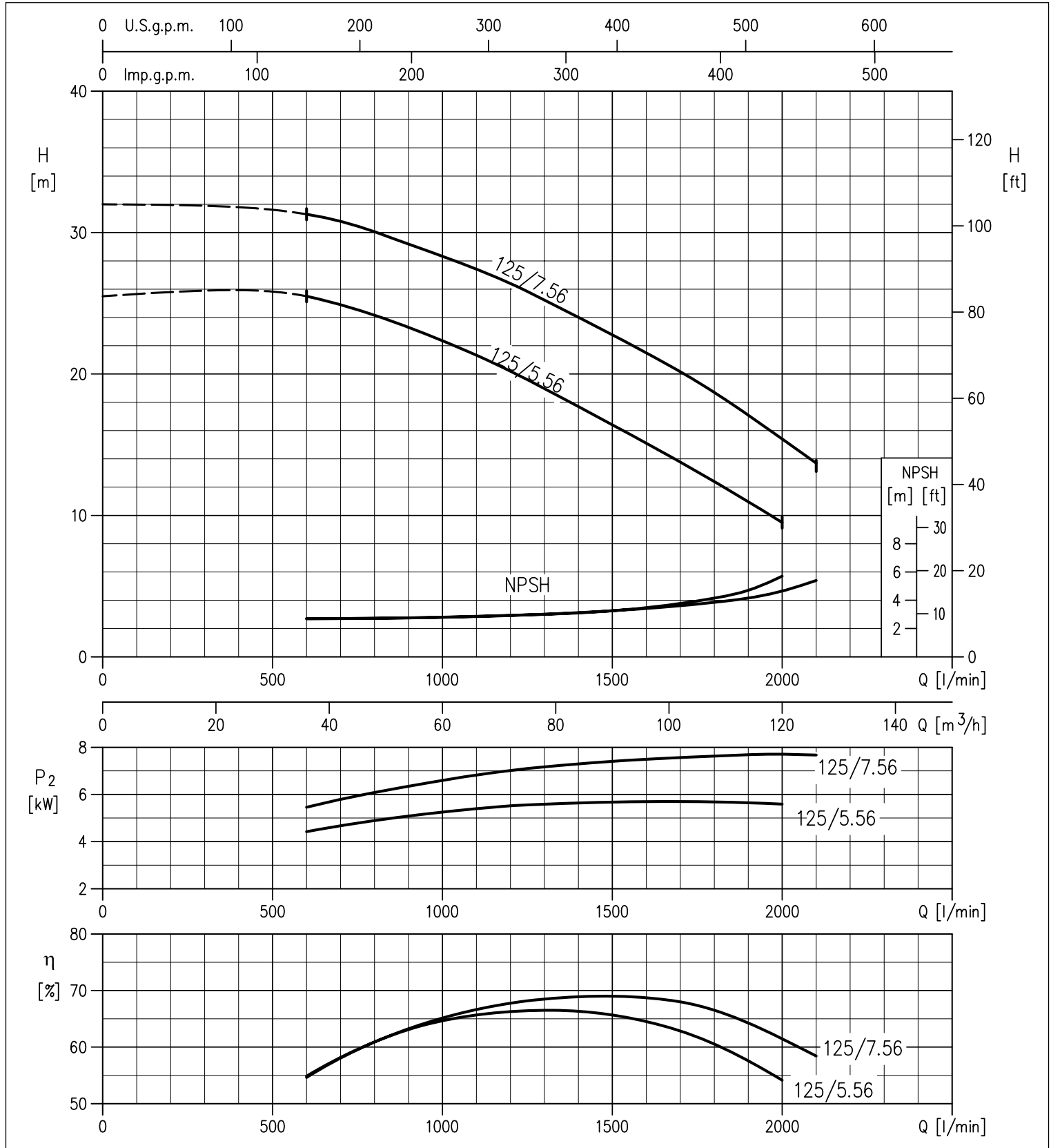
The contents of this publication must not be regarded as binding. EBARA Pumps Europe S.p.A. reserves the right to effect any modification it deems necessary, without prior notice.



# 3D SERIES

## CENTRIFUGAL PUMPS CLOSE COUPLED AND STANDARDIZED EN 733

PERFORMANCE CURVES 3D(.) SERIES 65-125 at 3600 min<sup>-1</sup> (according to ISO 9906 Attachment A)



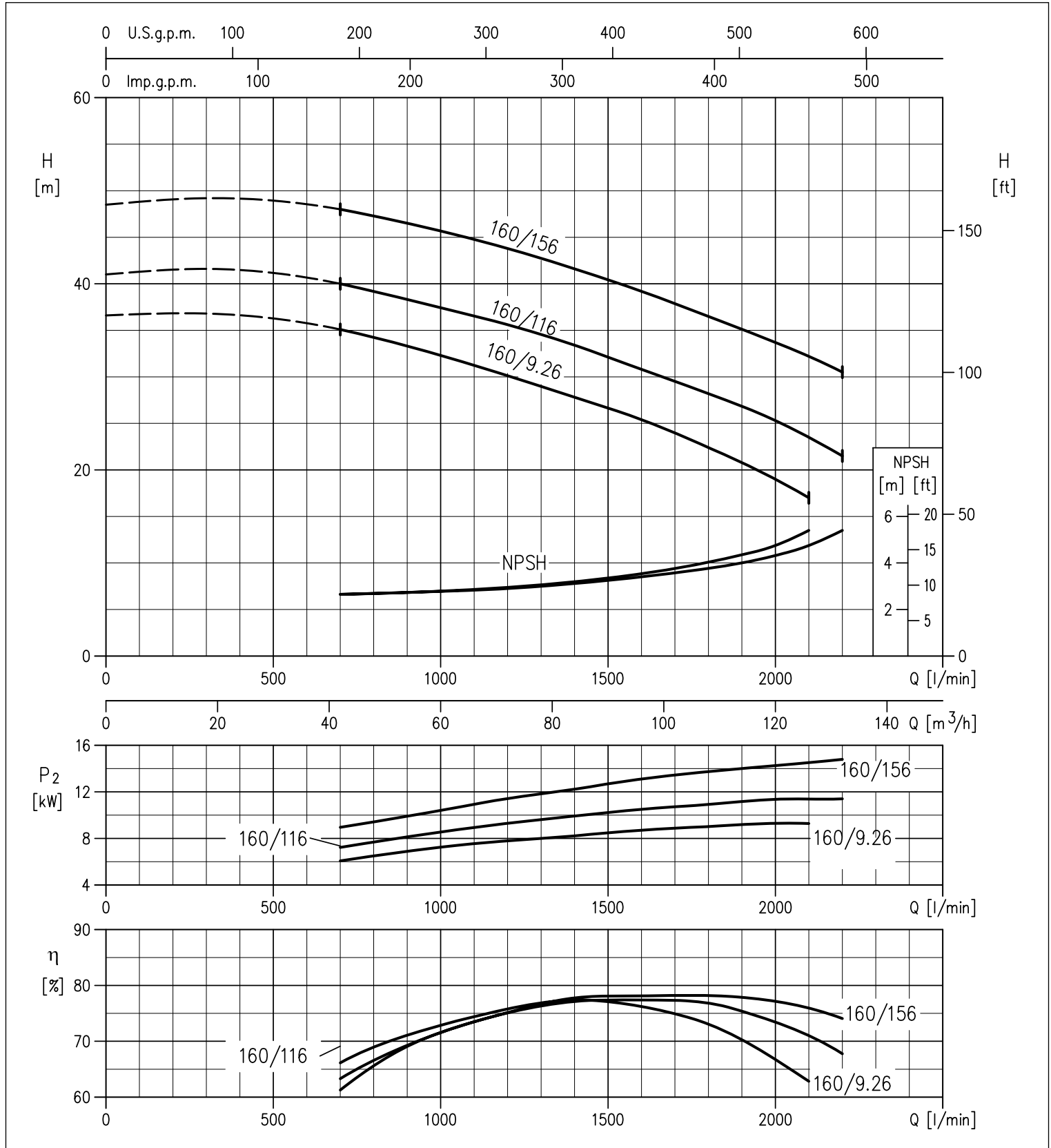
The contents of this publication must not be regarded as binding. EBARA Pumps Europe S.p.A. reserves the right to effect any modification it deems necessary without prior notice.



# 3D SERIES

## CENTRIFUGAL PUMPS CLOSE COUPLED AND STANDARDIZED EN 733

PERFORMANCE CURVES 3D(.) SERIES 65-160 at 3600 min<sup>-1</sup> (according to ISO 9906 Attachment A)



The contents of this publication must not be regarded as binding. EBARA Pumps Europe S.p.A. reserves the right to effect any modification it deems necessary, without prior notice.

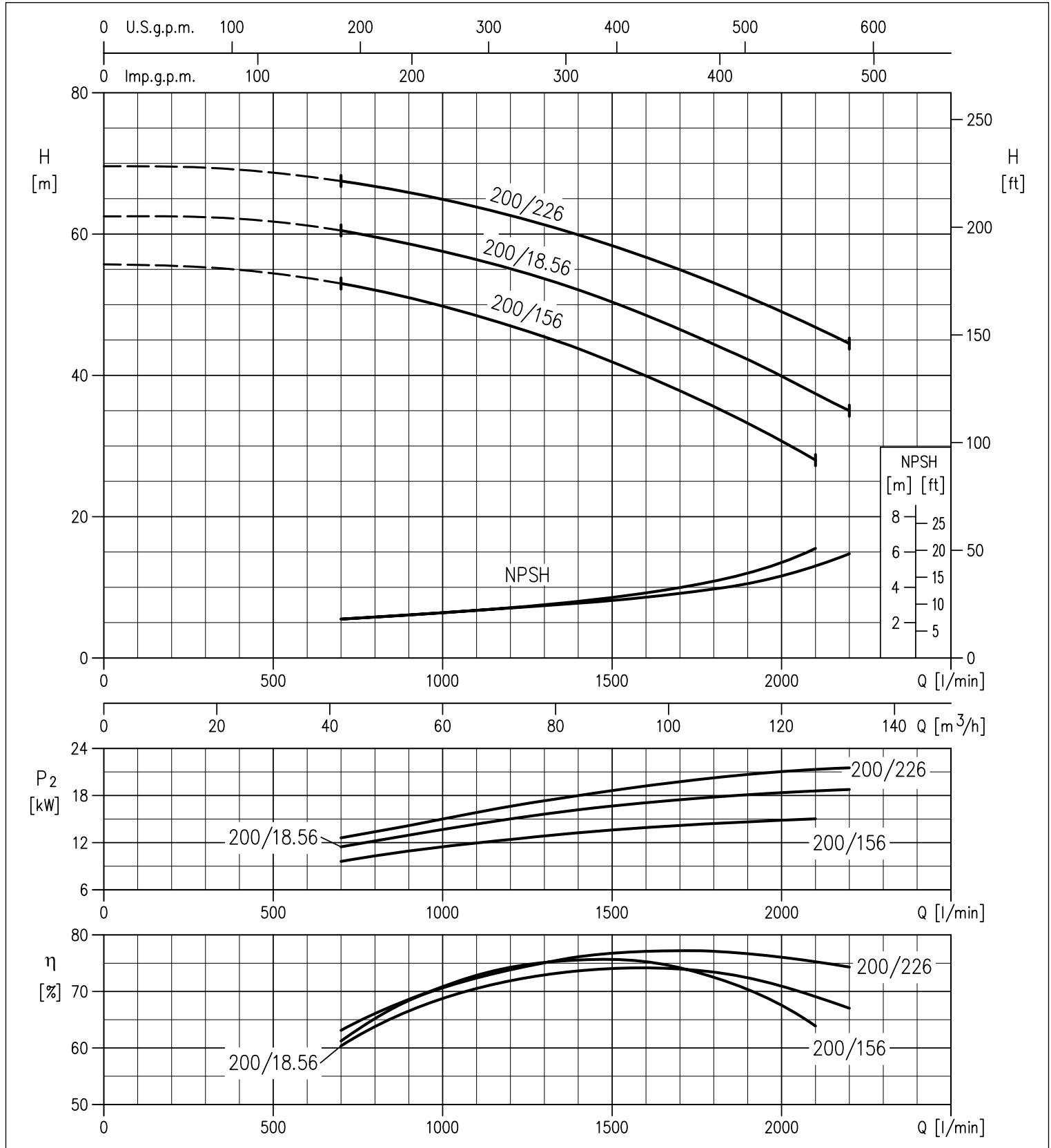




# 3D SERIES

## CENTRIFUGAL PUMPS CLOSE COUPLED AND STANDARDIZED EN 733

PERFORMANCE CURVES 3D(.) SERIES 65-200 at 3600 min<sup>-1</sup> (according to ISO 9906 Attachment A)

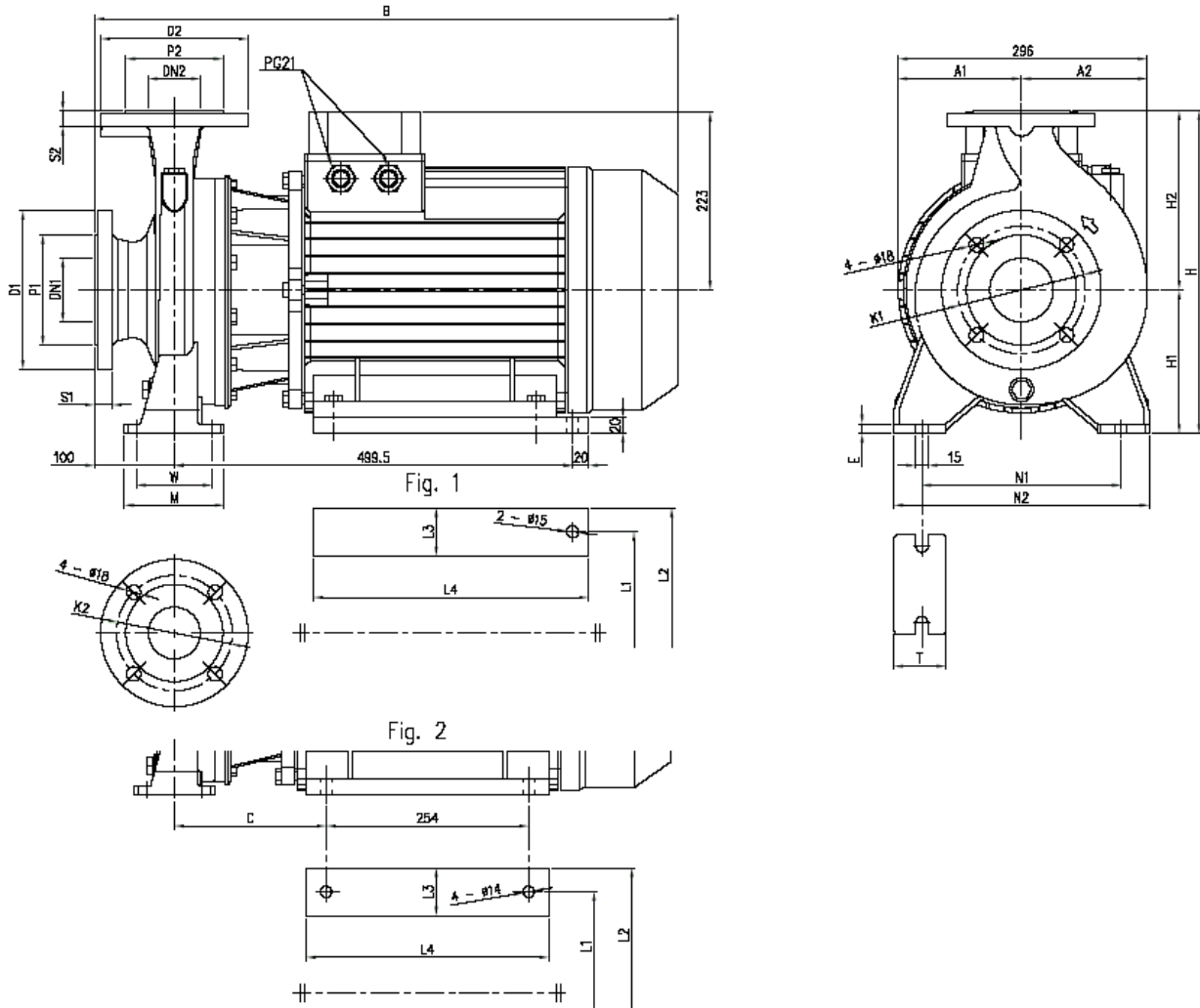


The contents of this publication must not be regarded as binding. EBARA Pumps Europe S.p.A. reserves the right to effect any modification it deems necessary without prior notice.

# 3D SERIES

## CENTRIFUGAL PUMPS CLOSE COUPLED AND STANDARDIZED EN 733

### DIMENSIONS 3D SERIES - up to 11kW



### DIMENSIONAL TABLE

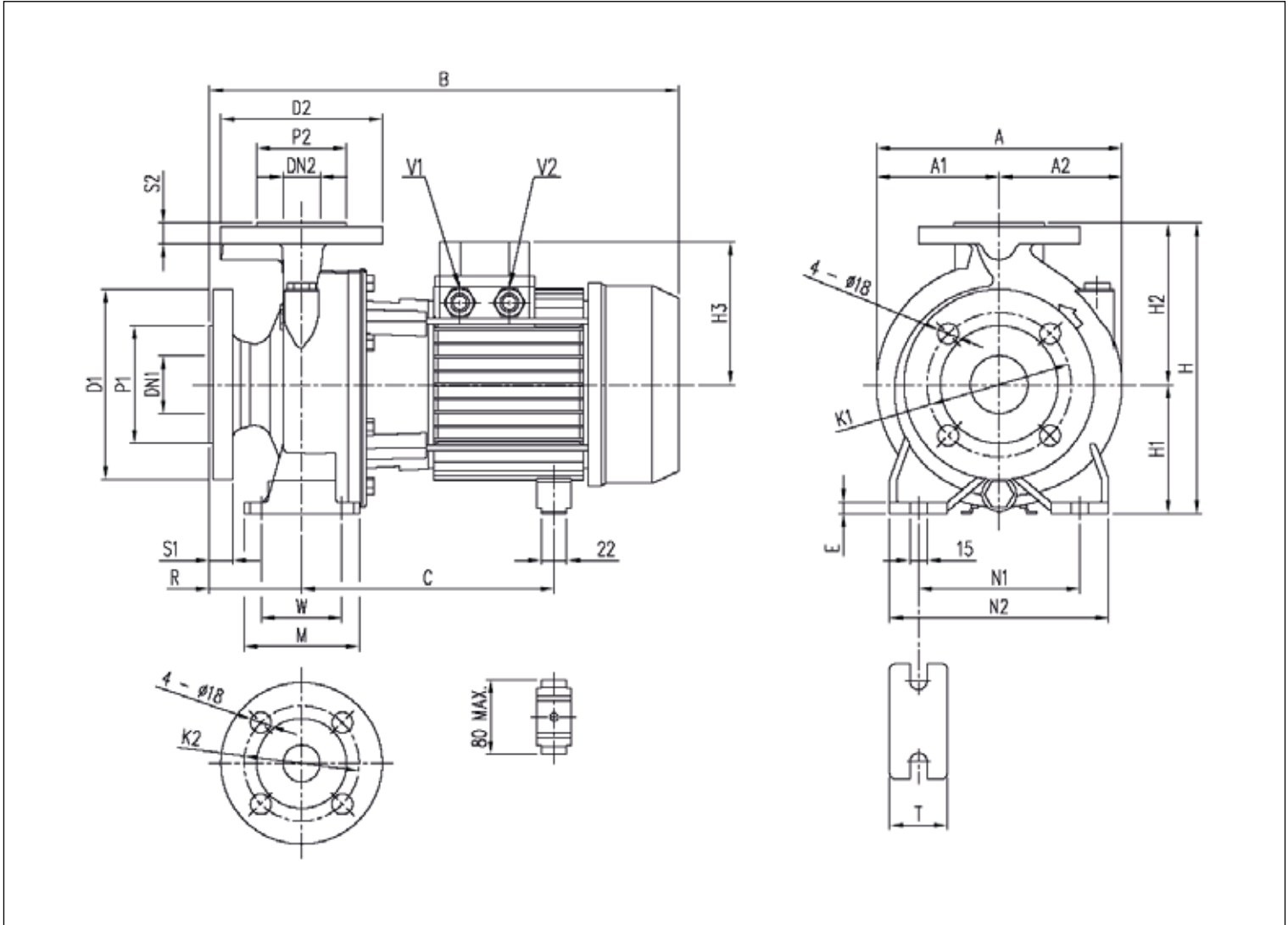
Model	Dimensions [mm]																				Weight [Kg]													
	DN1 Ø	P1 Ø	K1 Ø	D1 Ø	S1	DN2 Ø	P2 Ø	K2 Ø	D2 Ø	S2	H	H1	H2	H3 *	R	W	M	N1	N2	T	E	A	A1	A2	B *	C *	V1	V2 *	Weight [Kg]	*				
32-125/2.26	50	102	125	165	20	32	78	100	140	18	252	112	140	124	119	80	70	100	140	190	50	10	213	106.5	106.5	432	431	244-255	232	-	PG 13.5	M20x1.5	31.0	32.0
32-160/3.06	50	102	125	165	20	32	78	100	140	18	292	132	160	124	119	80	70	100	190	240	50	10	254	127	127	471	471	244-255	244-255	-	PG 13.5	M20x1.5	37.6	37.6
32-160/4.06	50	102	125	165	20	32	78	100	140	18	292	132	160	141	141	80	70	100	190	240	50	10	254	127	127	494	494	253	253	-	PG 16	M20x1.5	45.9	45.9
32-200/5.56	50	102	125	165	20	32	78	100	140	18	340	160	180	150	150	80	70	100	190	240	50	10	296	148	148	519	519	275	275	PG13.5	PG 16	M25x1.5	59.9	59.9
32-200/7.56	50	102	125	165	20	32	78	100	140	18	340	160	180	150	150	80	70	100	190	240	50	10	296	148	148	-	539	-	275	PG13.5	-	PG16	-	59.4
40-125/3.06	65	122	145	185	20	40	88	110	150	18	252	112	140	124	119	80	70	100	160	210	50	10	213	108	112	471	471	244-255	244-255	-	PG 13.5	M20x1.5	32.1	32.1
40-125/4.06	65	122	145	185	20	40	88	110	150	18	252	112	140	141	141	80	70	100	160	210	50	10	213	108	112	494	494	253	253	-	PG 16	M20x1.5	45.7	45.7
40-160/5.56	65	122	145	185	20	40	88	110	150	18	292	132	160	150	150	80	70	100	190	240	50	12	254	127	127	519	519	275	275	PG13.5	PG 16	M25x1.5	54.3	54.3
40-160/7.56	65	122	145	185	20	40	88	110	150	18	292	132	160	-	150	80	70	100	190	240	50	12	254	127	127	-	539	275	275	PG13.5	PG 16	PG16	-	62.2
40-200/11.6	65	122	145	185	20	40	88	110	150	18	340	160	180	-	178	100	70	100	212	265	50	12	296	148	148	-	595	-	359	PG13.5	PG 21	PG21	-	74.7
50-125/5.56	65	122	145	185	20	50	102	125	165	20	292	132	160	150	150	100	70	100	190	240	50	10	254	127	127	539	539	275	275	PG13.5	PG 16	M25x1.5	56.2	56.2
50-125/7.56	65	122	145	185	20	50	102	125	165	20	292	132	160	-	150	100	70	100	190	240	50	10	254	127	127	-	559	-	275	PG13.5	PG 16	PG16	-	56.7
50-160/11.6	65	122	145	185	20	50	102	125	165	20	340	160	180	-	178	100	70	100	212	265	50	10	296	148	148	-	595	-	359	PG13.5	PG 21	PG21	-	76.6
65-125/5.56	80	138	160	200	22	65	122	145	185	20	340	160	180	150	150	100	95	125	212	280	65	12	254	127	136	539	539	275	275	PG13.5	PG 16	M25x1.5	67.3	67.3
65-125/7.56	80	138	160	200	22	65	122	145	185	20	340	160	180	-	150	100	95	125	212	280	65	23	254	127	136	-	559	-	275	PG13.5	PG 16	PG16	-	68.3
65-160/9.26	80	138	160	200	22	65	122	145	185	20	360	160	200	-	178	100	95	125	212	280	65	12	296	148	148	-	595	-	359	PG13.5	PG 21	PG21	-	71.9

(\* Only for IE3 Motors)

# 3D SERIES

## CENTRIFUGAL PUMPS CLOSE COUPLED AND STANDARDIZED EN 733

### DIMENSIONS 3D SERIES - from 15kW and above



### DIMENSIONAL TABLE

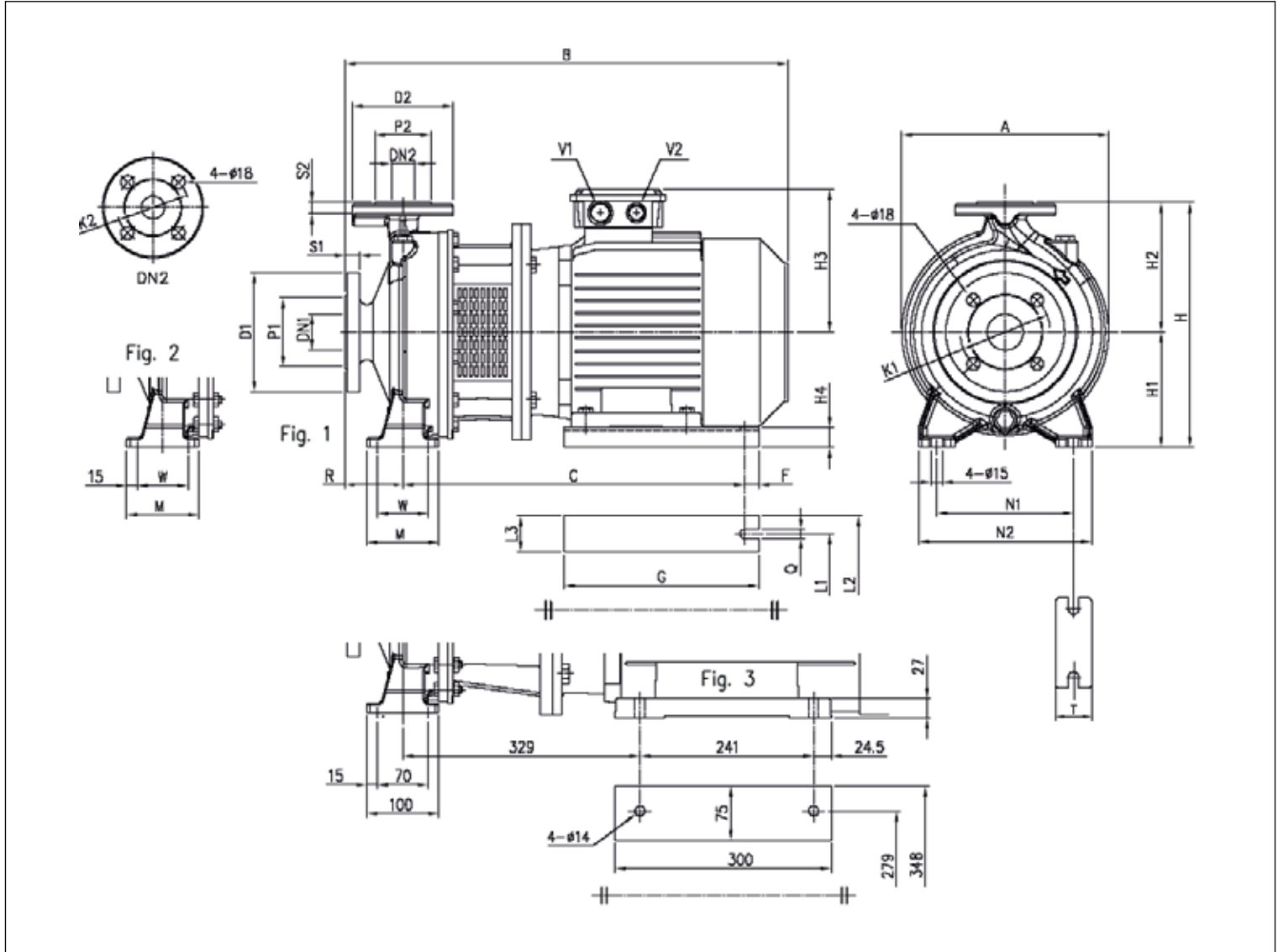
Model	Dimensions [mm]																				Weight [Kg]								
	DN1 ∅	P1 ∅	K1 ∅	D1 ∅	S1	DN2 ∅	P2 ∅	K2 ∅	D2 ∅	S2	Fig.	H	H1	H2	W	M	N1	N2	T	E		A1	A2	B	C	L1	L2	L3	L4
40-200/156	65	122	145	185	20	40	88	110	150	18	2	340	160	180	70	100	212	265	50	12	148	148	723	190.5	254	318	64	304	115.7
50-160/156	65	122	145	185	20	50	102	125	165	20	2	340	160	180	70	100	212	265	50	10	148	148	723	190.5	254	318	64	304	93.1
65-160/156	80	138	160	200	22	65	122	145	185	20	2	360	160	200	95	125	212	280	65	12	148	148	732	199.5	254	318	64	304	119.0
65-200/156	80	138	160	200	22	65	122	145	185	20	1	405	180	225	95	125	250	320	65	12	154.5	157.5	732	-	254	314	60	345	122.5
65-200/18.56	80	138	160	200	22	65	122	145	185	20	1	405	180	225	95	125	250	320	65	12	154.5	157.5	732	-	254	314	60	345	136.5
65-200/226	80	138	160	200	22	65	122	145	185	20	1	405	180	225	95	125	250	320	65	12	154.5	157.5	732	-	254	314	60	345	144.5



# 3D SERIES

## CENTRIFUGAL PUMPS CLOSE COUPLED AND STANDARDIZED EN 733

### DIMENSIONS 3DS SERIES 32, 65



### DIMENSIONAL TABLE

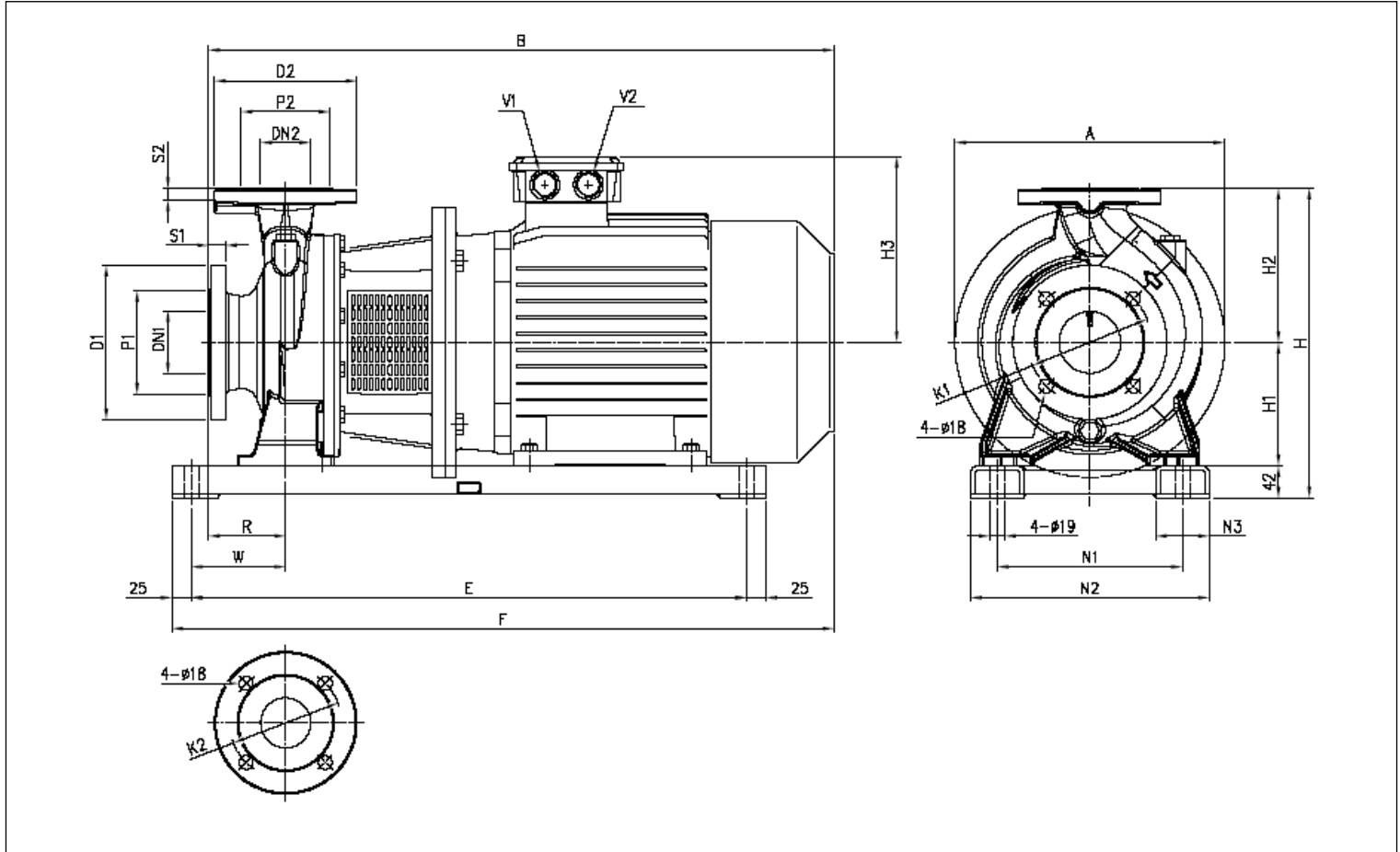
Model	Dimensions [mm]																												Weight [kg]								
	DN1 Ø	P1 Ø	K1 Ø	D1 Ø	S1	DN2 Ø	P2 Ø	K2 Ø	D2 Ø	S2	Fig.	H	H1	H2	H3	H4	R	W	M	N1	N2	T	A	B	C	F	G	Q	L1	L2	L3	V1	V2				
32-160/3.06	50	102	125	165	20	32	78	100	140	18	1	292	132	160	155	32	80	70	100	190	240	50	254	528	388	15	220	12	160	200	40	M25X1.5	M20X1.5	49,8	49,8		
32-160/4.06	50	102	125	165	20	32	78	100	140	18	1	292	132	160	171	20	80	70	100	190	240	50	254	550	395	15	220	12	190	240	50	M25X1.5	M20X1.5	51,4	55,1		
32-200/5.56	50	102	125	165	20	32	78	100	140	18	1	340	160	180	198	28	80	70	100	190	240	50	300	607	479	15	270	12	216	266	50	M32X1.5	M32X1.5	83,2	83,2		
32-200/7.56	50	102	125	165	20	32	78	100	140	18	1	340	160	180	198	28	80	70	100	190	240	50	300	607	479	15	270	12	216	266	50	M32X1.5	M32X1.5	96,4	98,4		
65-125/5.56	80	138	160	200	22	65	122	145	185	20	2	340	160	180	198	28	100	95	125	212	280	65	300	627	479	15	270	12	216	266	50	M32X1.5	M32X1.5	75,3	75,3		
65-125/7.56	80	138	160	200	22	65	122	145	185	20	2	340	160	180	198	28	100	95	125	212	280	65	300	627	479	15	270	12	216	266	50	M32X1.5	M32X1.5	92,7	94,7		
65-160/9.26	80	138	160	200	22	65	122	145	185	20	2	360	160	200	198	28	100	95	125	212	280	65	300	667	479	15	270	12	216	266	50	M32X1.5	M32X1.5	103,0	104,0		
65-200/15.6	80	138	160	200	22	65	122	145	185	20	2	405	180	225	238	20	100	95	125	250	320	65	350	806	621	20	350	14	254	314	60	M40X1.5	M40X1.5	137,6	154,5		
65-200/18.56	80	138	160	200	22	65	122	145	185	20	2	405	180	225	238	20	100	95	125	250	320	65	350	850	621	20	350	14	254	314	60	M40X1.5	M40X1.5	147,2	153,5		
65-200/22.6	80	138	160	200	22	65	122	145	185	20	3	405	180	225	268	-	100	-	-	250	320	65	360	885	-	-	-	-	-	-	-	-	-	M32X1.5	M32X1.5	184,5	191,5

(\*) Only for IE3 Motors

# 3D SERIES

## CENTRIFUGAL PUMPS CLOSE COUPLED AND STANDARDIZED EN 733

### DIMENSIONS 3DS SERIES 40, 50, 65



### DIMENSIONAL TABLE

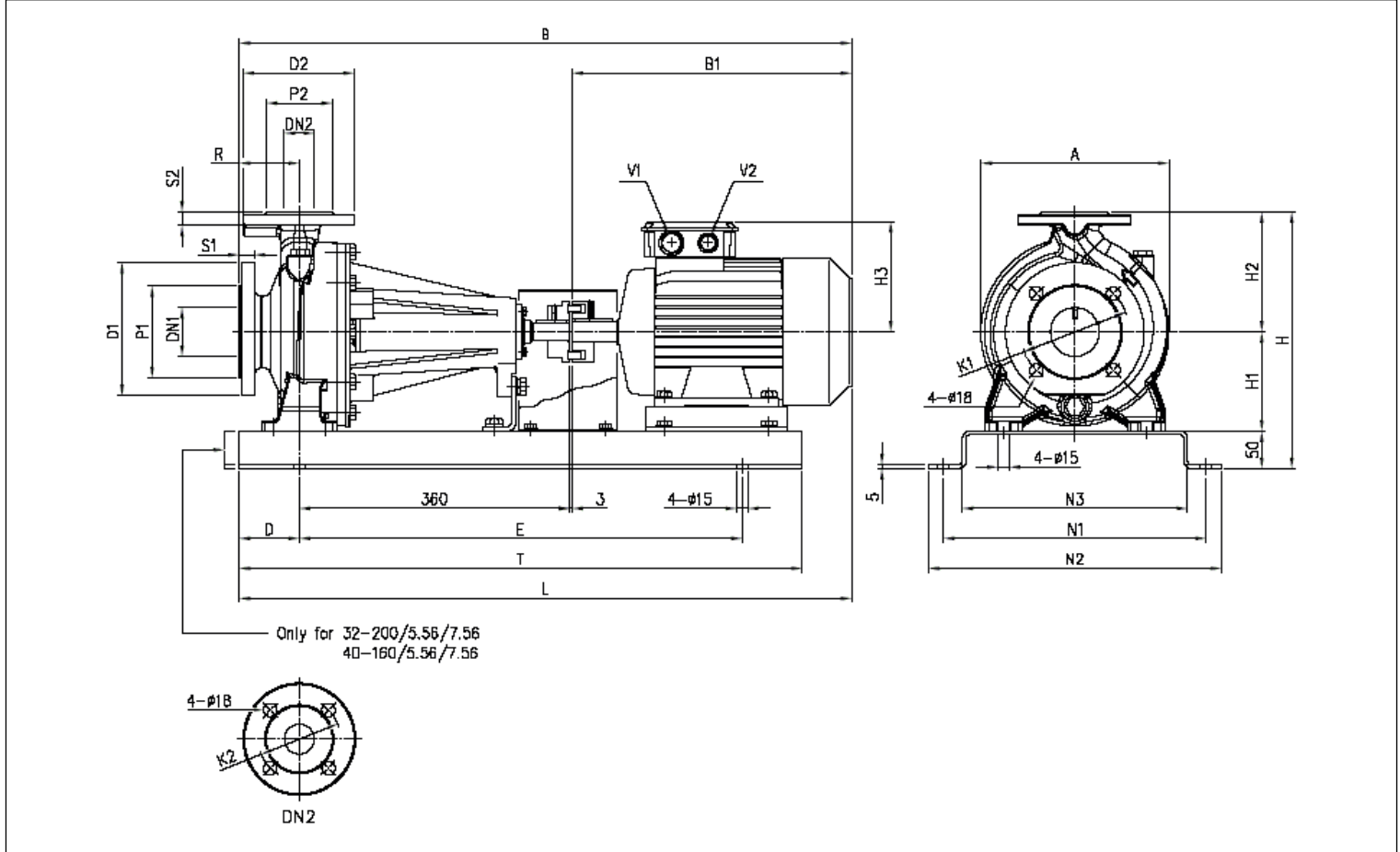
Model	Dimensions [mm]																			Weight [kg]							
	DN1 Ø	P1 Ø	K1 Ø	D1 Ø	S1	DN2 Ø	P2 Ø	K2 Ø	D2 Ø	S2	H	H1	H2	H3	R	W	N1	N2	N3	A	B	E	F	V1	V2		*
40-125/3.06	65	122	145	185	20	40	88	110	150	18	294	112	140	155	80	90	180	240	60	250	528	500	563	M25x1.5	M20x1.5	43,6	43,6
40-125/4.06	65	122	145	185	20	40	88	110	150	18	294	112	140	171	80	90	180	240	60	250	550	500	585	M25x1.5	M20x1.5	53,7	57,4
40-160/5.56	65	122	145	185	20	40	88	110	150	18	334	132	160	198	80	110	210	270	60	300	607	600	662	M32x1.5	M32x1.5	83,2	83,2
40-160/7.56	65	122	145	185	20	40	88	110	150	18	334	132	160	198	80	110	210	270	60	300	607	600	662	M32x1.5	M32x1.5	91,0	93,0
40-200/116	65	122	145	185	20	40	88	110	150	18	382	160	180	238	100	110	240	310	70	350	796	720	831	M40x1.5	M40x1.5	119,7	130,5
40-200/156	65	122	145	185	20	40	88	110	150	18	382	160	180	238	100	110	240	310	70	350	796	720	831	M40x1.5	M40x1.5	143,7	160,6
50-125/5.56	65	122	145	185	20	50	102	125	165	20	334	132	160	198	100	110	210	270	60	300	627	600	662	M32x1.5	M32x1.5	75,1	75,1
50-125/7.56	65	122	145	185	20	50	102	125	165	20	334	132	160	198	100	110	210	270	60	300	627	600	662	M32x1.5	M32x1.5	100,3	102,3
50-160/116	65	122	145	185	20	50	102	125	165	20	382	160	180	238	100	110	240	310	70	350	796	720	831	M40x1.5	M40x1.5	88,6	99,4
50-160/156	65	122	145	185	20	50	102	125	165	20	382	160	180	238	100	110	240	310	70	350	796	720	831	M40x1.5	M40x1.5	116,6	133,5
65-160/116	80	138	160	200	22	65	122	145	185	20	402	160	200	238	100	122,5	240	310	70	350	796	720	844	M40x1.5	M40x1.5	89,6	100,4

(\*) Only for IE3 Motors

# 3D SERIES

## CENTRIFUGAL PUMPS CLOSE COUPLED AND STANDARDIZED EN 733

### DIMENSIONS 3DP 32, 40, 50, 65



### DIMENSIONAL TABLE

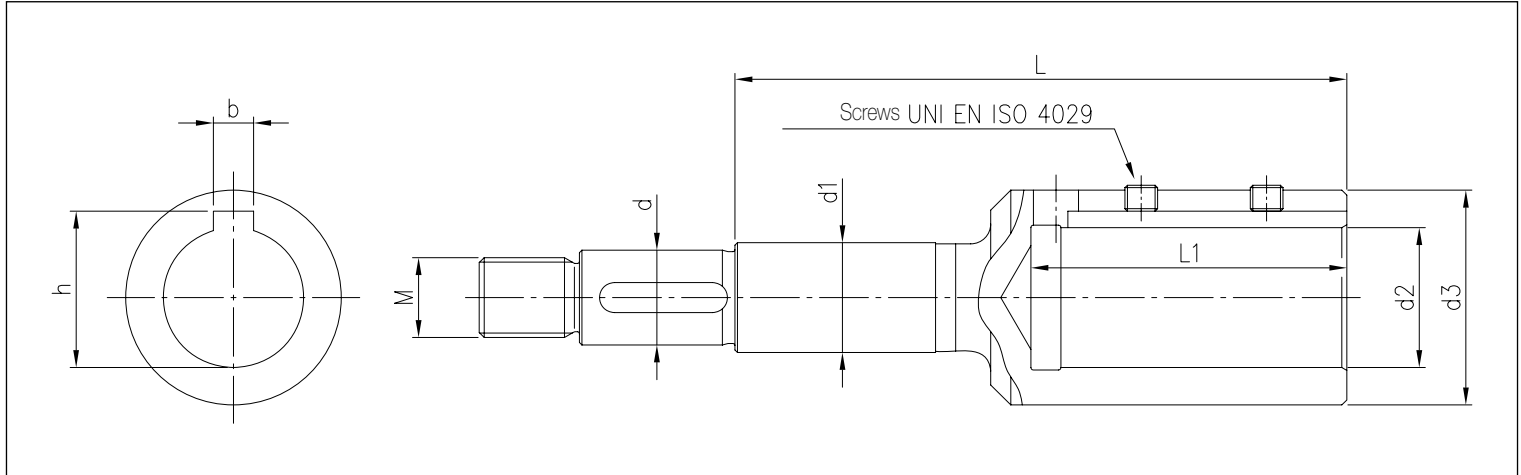
Model	Dimensions [mm]																				Weight [kg]								
	DN1 Ø	P1 Ø	K1 Ø	D1 Ø	S1	DN2 Ø	P2 Ø	K2 Ø	D2 Ø	S2	H	H1	H2	H3	R	A	B	B2	D	E	N1	N2	N3	T	L	V1	V2		
32-125/2.26	50	102	125	165	20	32	78	100	140	18	302	112	140	148	80	213	760	317	80	550	300	340	250	710	760	M25x1.5	M20x1.5	61,4	61,4
32-160/3.06	50	102	125	165	20	32	78	100	140	18	342	132	160	155	80	254	809	366	80	590	350	390	300	750	809	M25x1.5	M20x1.5	81,9	81,9
32-160/4.06	50	102	125	165	20	32	78	100	140	18	342	132	160	171	80	254	831	388	80	590	350	390	300	750	831	M25x1.5	M20x1.5	85,5	89,2
32-200/5.56	50	102	125	165	20	32	78	100	140	18	390	160	180	198	80	296	885	442	100	650	350	390	300	850	905	M32x1.5	M32x1.5	108,4	108,4
32-200/7.56	50	102	125	165	20	32	78	100	140	18	390	160	180	198	80	296	885	442	100	650	350	390	300	850	905	M32x1.5	M32x1.5	121,6	123,6
40-125/3.06	65	122	145	185	20	40	88	110	150	18	302	112	140	155	80	213	809	366	80	590	300	340	250	750	809	M25x1.5	M20x1.5	89,1	89,1
40-125/4.06	65	122	145	185	20	40	88	110	150	18	302	112	140	171	80	213	831	388	80	590	300	340	250	750	831	M25x1.5	M20x1.5	75,7	79,4
40-160/5.56	65	122	145	185	20	40	88	110	150	18	342	132	160	198	80	254	885	442	100	650	350	390	300	850	905	M32x1.5	M32x1.5	109,0	109,0
40-160/7.56	65	122	145	185	20	40	88	110	150	18	342	132	160	198	80	254	885	442	100	650	350	390	300	850	905	M32x1.5	M32x1.5	115,9	117,9
40-200/116	65	122	145	185	20	40	88	110	150	18	390	160	180	238	100	296	1071	608	100	800	380	420	330	1000	1071	M40x1.5	M40x1.5	129,7	140,5
40-200/156	65	122	145	185	20	40	88	110	150	18	390	160	180	238	100	296	1071	608	100	800	380	420	330	1000	1071	M40x1.5	M40x1.5	130,7	147,6
50-125/5.56	65	122	145	185	20	50	102	125	165	20	342	132	160	198	100	254	905	442	100	650	350	390	300	850	905	M32x1.5	M32x1.5	110,3	110,3
50-125/7.56	65	122	145	185	20	50	102	125	165	20	342	132	160	198	100	254	905	442	100	650	350	390	300	850	905	M32x1.5	M32x1.5	117,2	119,2
50-160/116	65	122	145	185	20	50	102	125	165	20	390	160	180	238	100	296	1071	608	100	800	380	420	330	1000	1071	M40x1.5	M40x1.5	130,1	140,9
50-160/156	65	122	145	185	20	50	102	125	165	20	390	160	180	238	100	296	1071	608	100	800	380	420	330	1000	1071	M40x1.5	M40x1.5	131,1	148,0
65-125/5.56	80	138	160	200	22	65	122	145	185	20	390	160	180	198	100	254	905	442	100	650	350	390	300	850	905	M32x1.5	M32x1.5	114,3	114,3
65-125/7.56	80	138	160	200	22	65	122	145	185	20	390	160	180	198	100	254	905	442	100	650	350	390	300	850	905	M32x1.5	M32x1.5	122,7	124,7
65-160/9.26	80	138	160	200	22	65	122	145	185	20	410	160	200	198	100	296	945	482	100	650	350	390	300	850	945	M32x1.5	M32x1.5	133,0	134,0
65-160/116	80	138	160	200	22	65	122	145	185	20	410	160	200	238	100	296	1071	608	100	800	380	420	330	1000	1071	M40x1.5	M40x1.5	130,0	140,8
65-160/156	80	138	160	200	22	65	122	145	185	20	410	160	200	238	100	296	1071	608	100	800	380	420	330	1000	1071	M40x1.5	M40x1.5	128,1	145,0
65-200/156	80	138	160	200	22	65	122	145	185	20	455	180	225	238	100	296	1071	608	100	800	380	420	330	1000	1071	M40x1.5	M40x1.5	136,6	153,5
65-200/18.56	80	138	160	200	22	65	122	145	185	20	455	180	225	238	100	296	1115	652	100	800	380	420	330	1000	1115	M40x1.5	M40x1.5	145,2	151,7
65-200/226	80	138	160	200	22	65	122	145	185	20	455	180	225	268	100	296	1150	687	100	800	410	450	360	1000	1150	M32x1.5	M32x1.5	198,5	205,5

(\*) Only for IE3 Motors

# 3D SERIES

## CENTRIFUGAL PUMPS CLOSE COUPLED AND STANDARDIZED EN 733

### Joint for 3DS SERIES



### DIMENSIONAL TABLE

Model	[HP]	[kW]	Motor size	d	d1	d2	d3	Dimensions [mm]			b	h	Screws
								M	L	L1			
32-125/2.26	3	2.2	90	19	22	24	39	M16x1.5	110	53	8	27.3	M8x8
32-160/3.06	4	3	100	19	22	28	43	M16x1.5	122	63	8	31.3	M8x8
32-160/4.06	5.5	4	112	19	22	28	43	M16x1.5	122	63	8	31.3	M8x8
32-200/5.56	7.5	5.5	132	19	22	38	58	M16x1.5	145	84	10	41.3	M8x8
32-200/7.56	10	7.5	132	19	22	38	58	M16x1.5	145	84	10	41.3	M8x8
40-125/3.06	4	3	100	19	22	28	43	M16x1.5	122	63	8	31.3	M8x8
40-125/4.06	5.5	4	112	19	22	28	43	M16x1.5	122	63	8	31.3	M8x8
40-160/5.56	7.5	5.5	132	19	22	38	58	M16x1.5	145	84	10	41.3	M8x8
40-160/7.56	10	7.5	132	19	22	38	58	M16x1.5	145	84	10	41.3	M8x8
40-200/116	15	11	160	19	22	42	63	M16x1.5	178	114	12	45.3	M8x8
40-200/156	20	15	160	19	22	42	63	M16x1.5	178	114	12	45.3	M8x8
50-125/5.56	7.5	5.5	132	19	22	38	58	M16x1.5	145	84	10	41.3	M8x8
50-125/7.56	10	7.5	132	19	22	38	58	M16x1.5	145	84	10	41.3	M8x8
50-160/116	15	11	160	19	22	42	63	M16x1.5	178	114	12	45.3	M8x8
50-160/156	20	15	160	19	22	42	63	M16x1.5	178	114	12	45.3	M8x8
65-125/5.56	7.5	5.5	132	19	22	38	58	M16x1.5	145	84	10	41.3	M8x8
65-125/7.56	10	7.5	132	19	22	38	58	M16x1.5	145	84	10	41.3	M8x8
65-160/9.26	12.5	9.2	132	19	22	38	58	M16x1.5	145	84	10	41.3	M8x8
65-160/116	15	11	160	19	22	42	63	M16x1.5	178	114	12	45.3	M8x8
65-160/156	20	15	160	24	30	42	63	M20x1.5	184	114	12	45.3	M8x8
65-200/156	20	15	160	24	30	42	63	M20x1.5	184	114	12	45.3	M8x8
65-200/18.56	25	18.5	160	24	30	42	63	M20x1.5	184	114	12	45.3	M8x8
65-200/226	30	22	180	24	30	48	72	M20x1.5	184	114	14	51.8	M10x10

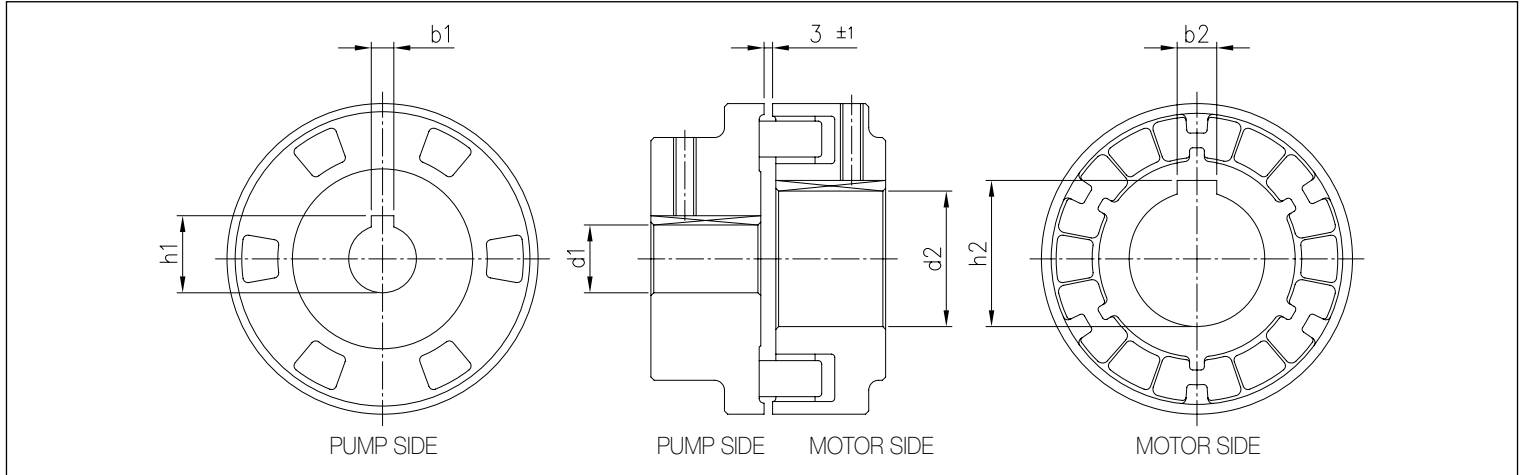
The contents of this publication must not be regarded as binding. EBARA Pumps Europe S.p.A. reserves the right to effect any modification it deems necessary, without prior notice.



# 3D SERIES

## CENTRIFUGAL PUMPS CLOSE COUPLED AND STANDARDIZED EN 733

### Joint for 3DP SERIES



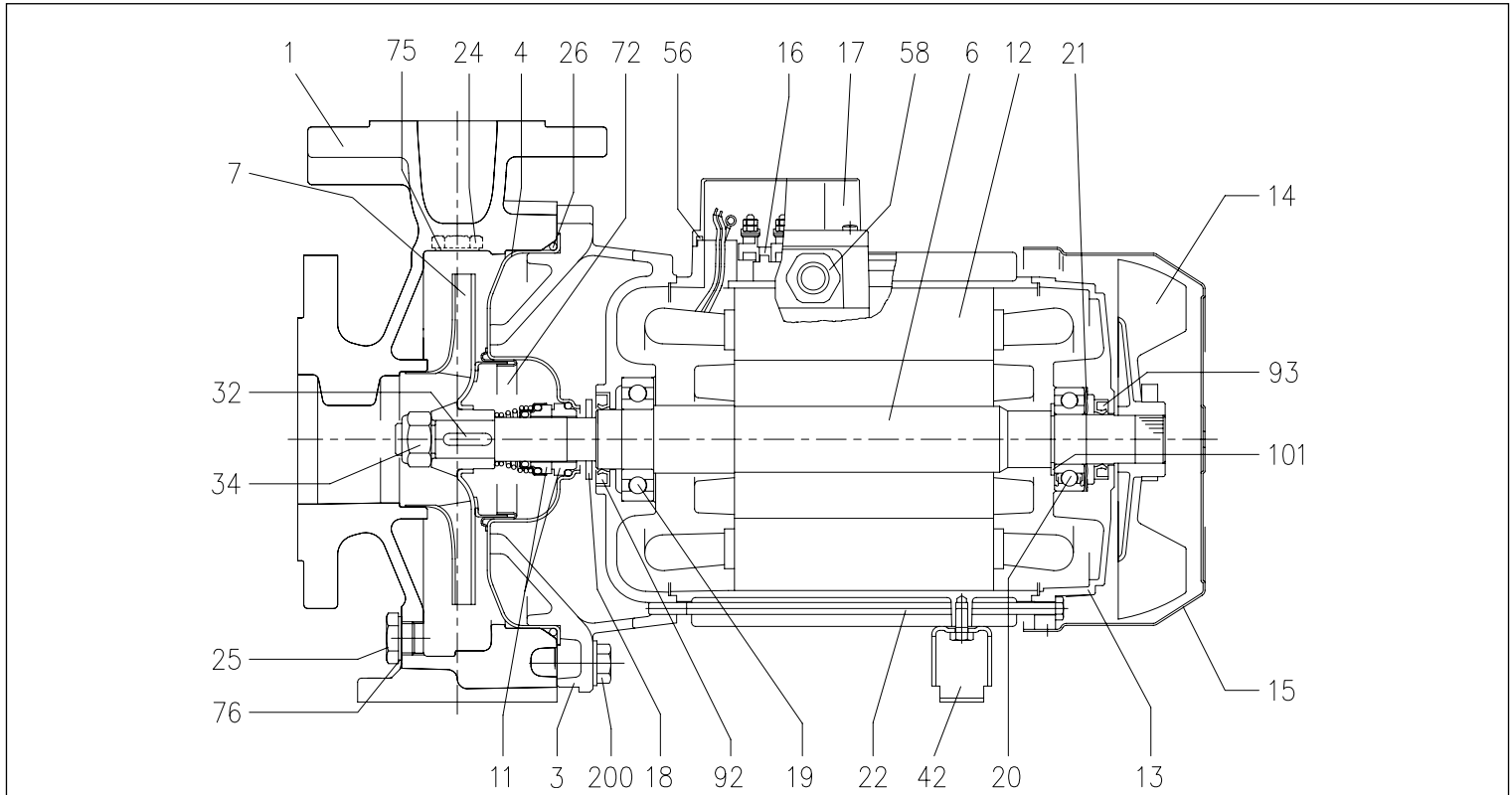
### DIMENSIONAL TABLE

Model	[HP]	[kW]	Motor size	Dimensions [mm]					
				d1	b1	h1	d2	b2	h2
3DP 32-125/2.26	2,2	3	90	24	8	27,3	24	8	27,3
3DP 32-160/3.06	3	4	100	24	8	27,3	28	8	31,3
3DP 32-160/4.06	4	5,5	112	24	8	27,3	28	8	31,3
3DP 32-200/5.56	5,5	7,5	132	24	8	27,3	38	10	41,3
3DP 32-200/7.56	7,5	10	132	24	8	27,3	38	10	41,3
3DP 40-125/3.06	3	4	100	24	8	27,3	28	8	31,3
3DP 40-125/4.06	4	5,5	112	24	8	27,3	28	8	31,3
3DP 40-160/5.56	5,5	7,5	132	24	8	27,3	38	10	41,3
3DP 40-160/7.56	7,5	10	132	24	8	27,3	38	10	41,3
3DP 40-200/11.6	11	15	160	24	8	27,3	42	12	45,3
3DP 40-200/15.6	15	20	160	24	8	27,3	42	12	45,3
3DP 50-125/5.56	5,5	7,5	132	24	8	27,3	38	10	41,3
3DP 50-125/7.56	7,5	10	132	24	8	27,3	38	10	41,3
3DP 50-160/11.6	11	15	160	24	8	27,3	42	12	45,3
3DP 50-160/15.6	15	20	160	24	8	27,3	42	12	45,3
3DP 65-125/5.56	5,5	7,5	132	24	8	27,3	38	10	41,3
3DP 65-125/7.56	7,5	10	132	24	8	27,3	38	10	41,3
3DP 65-160/9.26	9,2	12,5	132	24	8	27,3	38	10	41,3
3DP 65-160/11.6	11	15	160	24	8	27,3	42	12	45,3
3DP 65-160/15.6	15	20	160	24	8	27,3	42	12	45,3
3DP 65-200/15.6	15	20	160	24	8	27,3	42	12	45,3
3DP 65-200/18.56	18,5	25	160	24	8	27,3	42	12	45,3
3DP 65-200/22.6	22	30	180	24	8	27,3	48	14	51,8

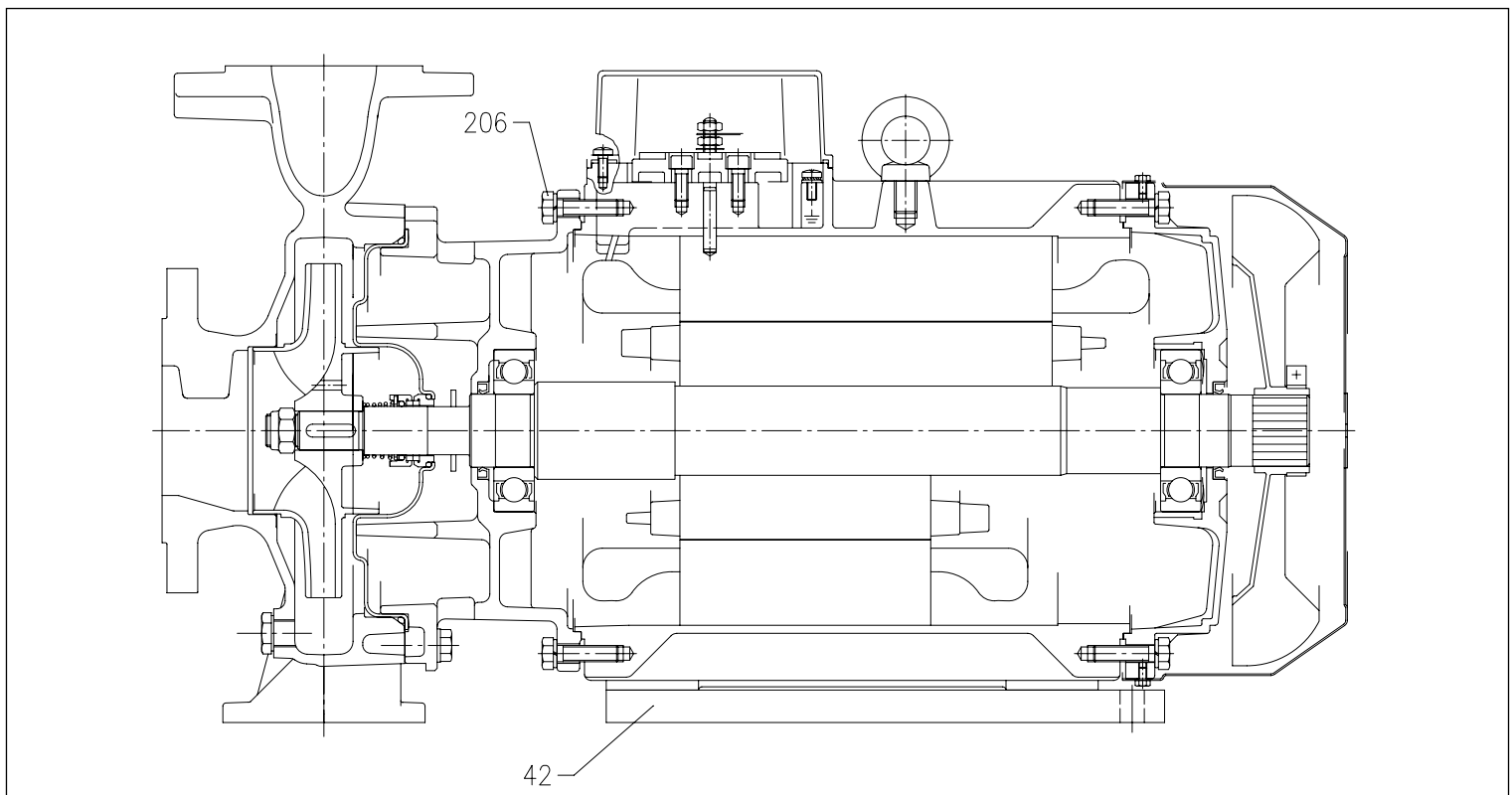
# 3D SERIES

## CENTRIFUGAL PUMPS CLOSE COUPLED AND STANDARDIZED EN 733

SECTIONAL VIEW 3D SERIES 32, 40, 50, 65 - up to 11 kW



SECTIONAL VIEW 3D SERIES 32, 40, 50, 65 - from 15 kW and above



The contents of this publication must not be regarded as binding. EBARA Pumps Europe S.p.A. reserves the right to effect any modification it deems necessary, without prior notice.

# 3D SERIES

## CENTRIFUGAL PUMPS CLOSE COUPLED AND STANDARDIZED EN 733

### MATERIALS TABLE

Ref.	Name	Material
001	Pump casing	Cast iron EN-GJL-250-EN 1561
003	Motor bracket	[1]
004	Seal housing disc	EN 1.4301 (AISI 304)
006	Rotor shaft (part in contact with the liquid)	EN 1.4301 (AISI 304)
007	Impeller	[2]
011	Mechanical seal	Ceramic/Carbon/NBR
012	Motor frame	-
013	Motor cover	Aluminium
014	Fan	PA
015	Fan cover	Fe P04 Galvanized
016	Terminal box	-
017	Terminal box cover	Aluminium (three phase only)
018	Spray protector washer	NBR
019	Bearing (pump side)	-
020	Bearing (motor side)	-
021	Adjusting ring	Steel C70
022	Tie-rod	Fe 42 Galvanized
	Screw	Galvanized steel 8.8 class ISO 898-1
024	Plug	Brass
025	Plug	Brass
026	O-Ring	NBR [3]
032	Key	EN 1.4401 (AISI 304)
034	Impeller nut	EN 1.4301 (AISI 304)
042	Motor support	Aluminium / Galvanized steel
056	Terminal box gasket	NBR
058	Cable gland	-
072	Casing ring [4]	EN 1.4301 (AISI 304)
075	Washer	Aluminium
076	Washer	Aluminium
092	Seal ring	-
093	Seal ring	-
101	Seeger ring [5]	Carbon steel TC 80
200	Screw	Galvanized steel 8.8 class ISO 898-1
235	Washer	Galvanized steel
206	Screw (support) [6]	Galvanized steel 8.8 class ISO 898-1

[1]= Cast iron EN-GJL-200-EN 1561 for 3D SERIES 32-200/3 and models from 15, 18.5 and 22 kW; aluminium AL-EN-1706-AC-46000-D for the rest of the range

[2]= EN 1.4301 (AISI 304) for 3D SERIES 32, 40, 50; EN 1.4401 (AISI 316) for 3D SERIES 65

[3]= FPM for H, HS, HW, HSW versions; EDPM for E version

[4]= Only for 3D SERIES 32-200, 40-200, 50-160, 50-200

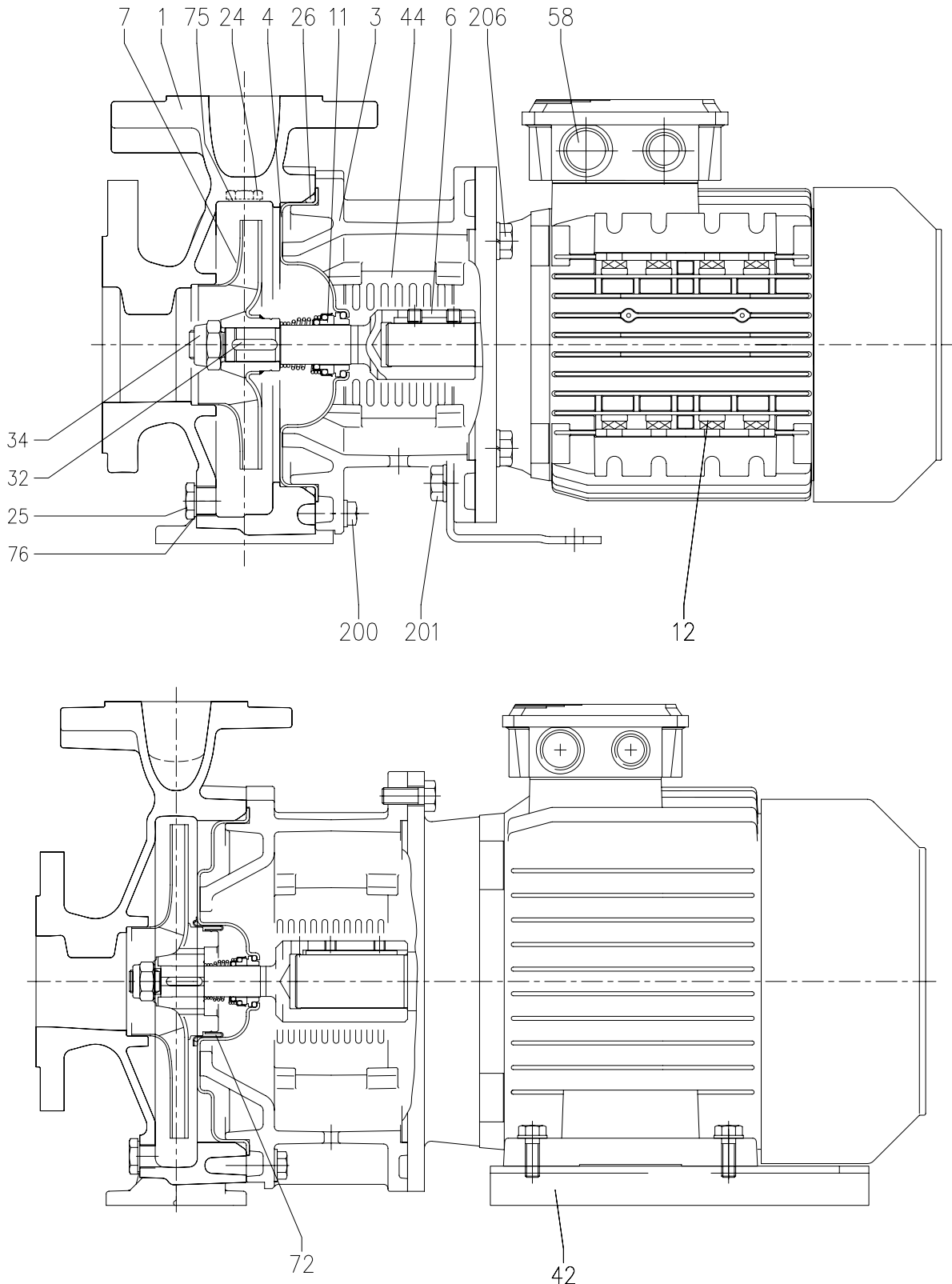
[5]= Only for 9,2 and 11 kW models

[6]= Only for 11 kW models

# 3D SERIES

## CENTRIFUGAL PUMPS CLOSE COUPLED AND STANDARDIZED EN 733

SECTIONAL VIEW 3DS SERIES 32, 40, 50

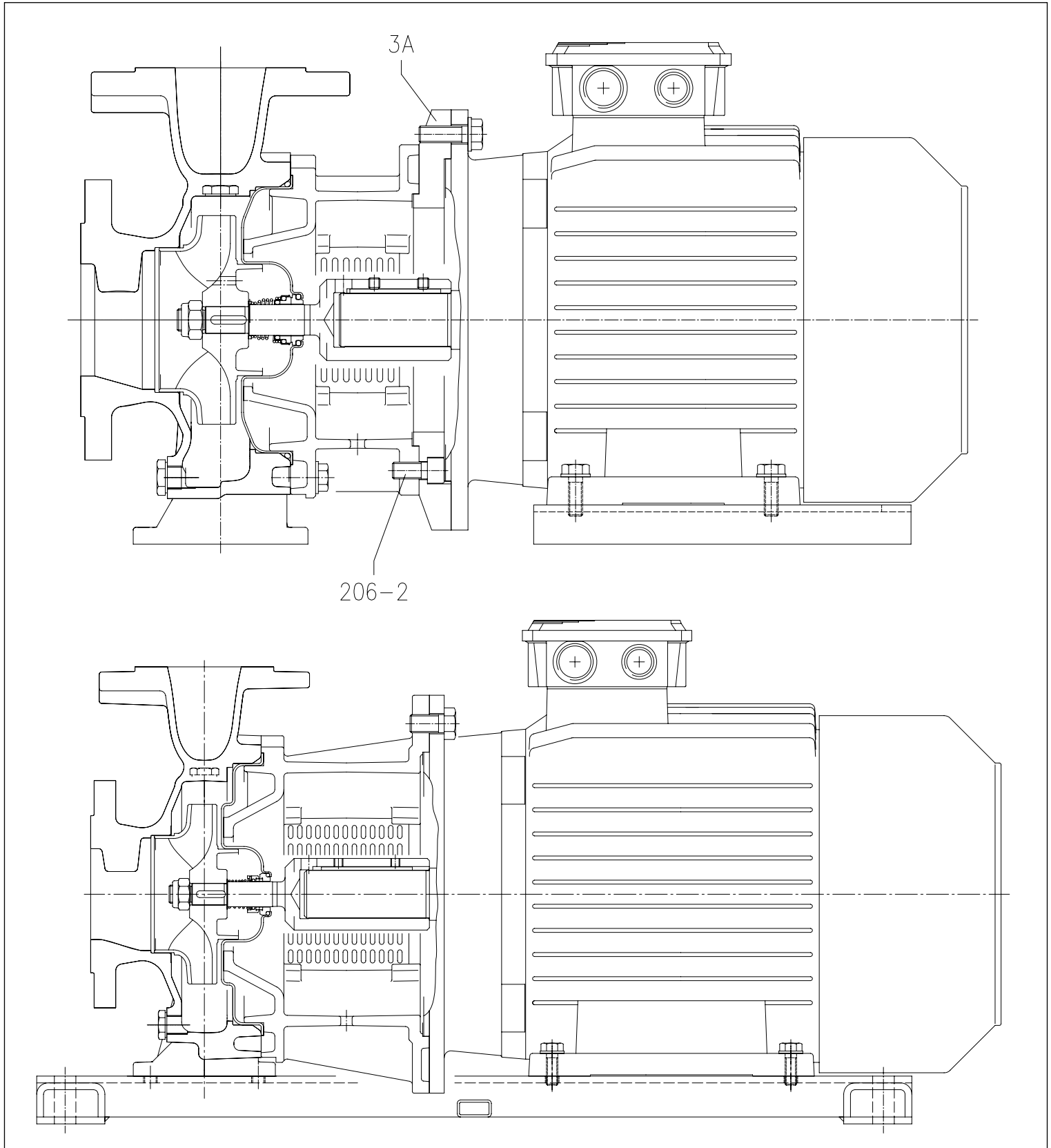


The contents of this publication must not be regarded as binding. EBARA Pumps Europe S.p.A. reserves the right to effect any modification it deems necessary, without prior notice.

# 3D SERIES

## CENTRIFUGAL PUMPS CLOSE COUPLED AND STANDARDIZED EN 733

SECTIONAL VIEW 3DS SERIES 65



The contents of the publication must not be regarded as binding. EBARA Pumps Europe S.p.A. reserves the right to effect any modification it deems necessary without prior notice.

# 3D SERIES

## CENTRIFUGAL PUMPS CLOSE COUPLED AND STANDARDIZED EN 733

### MATERIALS TABLE

Ref.	Name	Material
001	Pump casing	Cast iron EN-GJL-250-EN 1561
003	Motor bracket	Cast iron EN-GJL-250-EN 1561
003A	Adapter ring [1]	Cast iron EN-GJL-250-EN 1561
004	Rotor shaft	EN 1.4301 (AISI 304)
006	Joint (part in contact with the liquid)	EN 1.4301 (AISI 304)
007	Impeller	[2]
011	Mechanical seal	Ceramic/Carbon/NBR
012	Motor	-
024	Plug	Brass
025	Plug	Brass
026	O-Ring	NBR [3]
032	Key	EN 1.4401 (AISI 304)
034	Impeller nut	EN 1.4301 (AISI 304)
042	Motor support	Galvanized steel
044	Support protection	EN 1.4301 (AISI 304)
058	Cable gland	-
072	Casing ring [4]	EN 1.4301 (AISI 304)
075	Washer	Aluminium
076	Washer	Aluminium
200	Screw	Galvanized steel 8.8 class ISO 898-1
201	Screw [5]	Galvanized steel 8.8 class ISO 898-1
206	Screw (support)	Galvanized steel 8.8 class ISO 898-1
206-2	Adapter ring screw	Galvanized steel 8.8 class ISO 898-1
235	Washer	Galvanized steel

[1]= Only for 3D SERIES 65-125/5.5 and 65-125/7.5 models

[2]= EN 1.4301 (AISI 304) for 3D SERIES 32, 40, 50; EN 1.4401 (AISI 316) for 3D SERIES 65

[3]= FPM for H, HS, HW, HSW versions; EPDM for E version

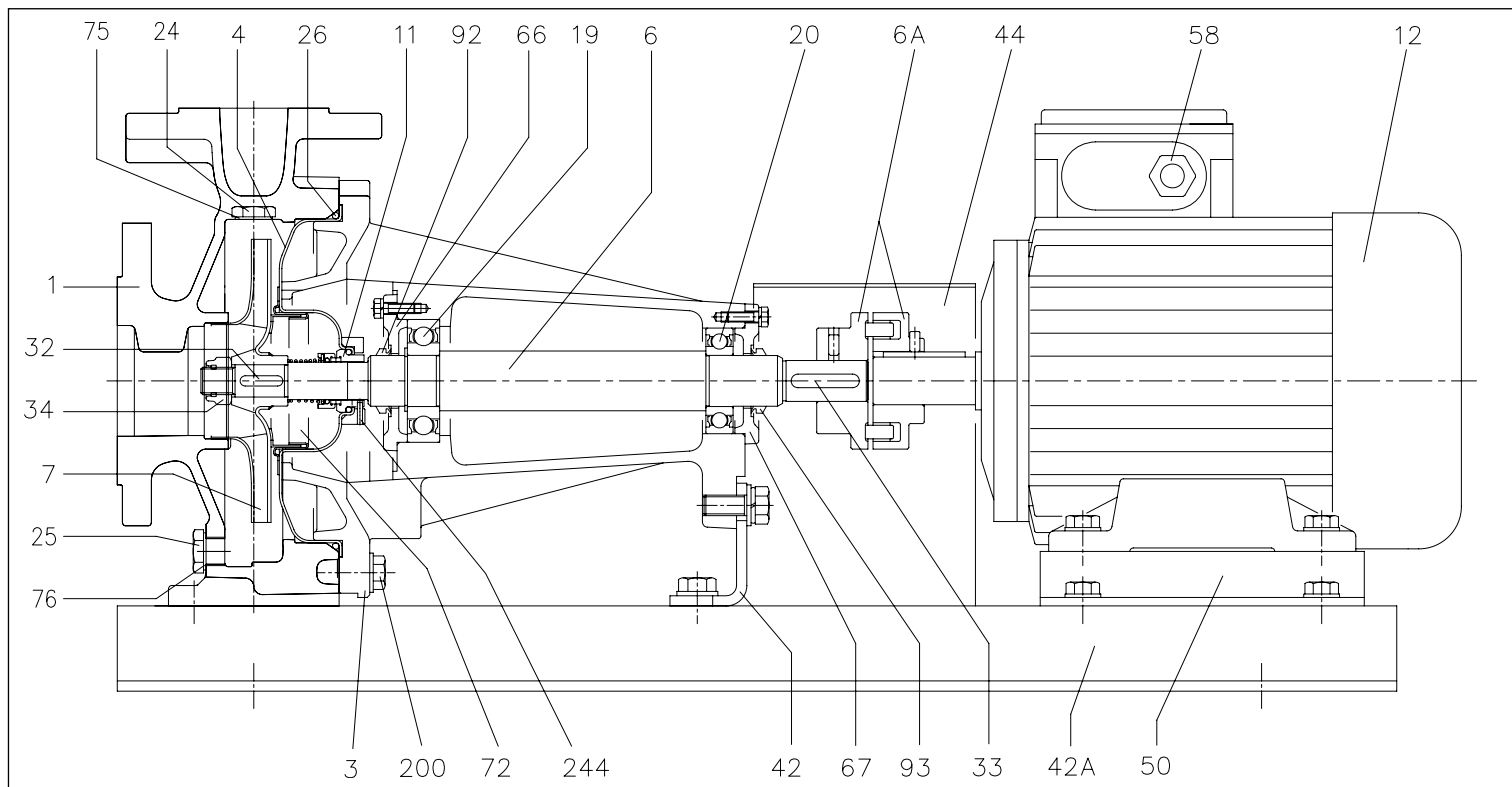
[4]= Only for 3D SERIES 32-200, 40-200, 50-160, 50-200

[5]= Only for 3D SERIES 32-125/1.1, 32-160/1.5, 32-160/2.2, 40-125/1.5, 40-125/2.2, 50-125/2.2

# 3D SERIES

## CENTRIFUGAL PUMPS CLOSE COUPLED AND STANDARDIZED EN 733

### SECTIONAL VIEW 3DP SERIES 32, 40, 50, 65



### MATERIALS TABLE

Ref.	Name	Material
001	Pump casing	Cast iron EN-GJL-250-EN 1561
003	Motor bracket	Cast iron EN-GJL-250-EN 1561
004	Seal housing disc	EN 1.4301 (AISI 304)
006	Shaft (part in contact with the liquid)	EN 1.4301 (AISI 304)
006A	Flexible joint	Cast iron EN-GJL-250-EN 1561
007	Impeller	[1]
011	Mechanical seal	Ceramic/Carbon/NBR
012	Motor	-
019	Bearing	-
020	Bearing	-
024	Plug	Brass
025	Plug	Brass
026	O-Ring	NBR [2]
032	Key	EN 1.4401 (AISI 316)
033	Key	C 40
034	Impeller nut	EN 1.4301 (AISI 304)
042	Pump support	Fe 37 Galvanized
042A	Base	Fe 37 Galvanized
044	Support protection	Fe 37 Galvanized
050	Motor support	Aluminium / Galvanized steel
058	Cable gland	-
066	Bearing cover (impeller side)	Cast iron EN-GJL-250-EN 1561
067	Bearing cover (motor side)	Cast iron EN-GJL-250-EN 1561
072	Casing ring [3]	EN 1.4301 (AISI 304)
075	Washer	Aluminium
076	Washer	Aluminium
092	V ring	-
093	V ring	-
200	Screw	Galvanized steel 8.8 class ISO 898-1
235	Washer	Galvanized steel

[1]= EN 1.4301 (AISI 304) for 3D SERIES 32, 40, 50; EN 1.4401 (AISI 316) for 3D SERIES 65

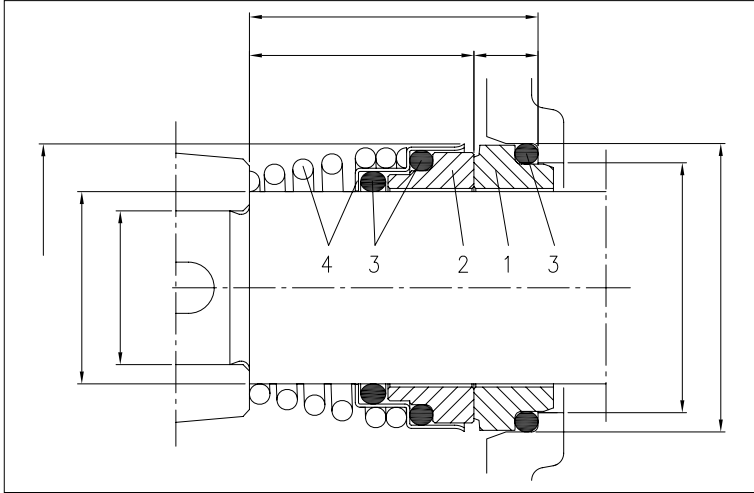
[2]= FPM for H, HS, HW, HSW versions; EPDM for E version

[3]= Only for 3D SERIES 32-200, 40-200, 50-160, 50-200

# 3D SERIES

## CENTRIFUGAL PUMPS CLOSE COUPLED AND STANDARDIZED EN 733

### MECHANICAL SEAL standard version



### MATERIALS TABLE

Ref.	Name	Material
1	Fixed part	Carbon
2	Rotating part	Ceramic
3	Gasket	NBR
4	Frame + spring	EN 1.4401 (AISI 316)

### SPECIAL MECHANICAL SEALS (on request)

Ref.	Name	Material				
		H version	HS version	HW version	HSW version	E version
1	Fixed part	Carbon	SiC	Tungsten Carbide	Tungsten Carbide	Carbon
2	Rotating part	Ceramic	SiC	Tungsten Carbide	SiC	Ceramic
3	Gasket	FPM	FPM	FPM	FPM	EPDM
4	Frame + spring	EN 1.4401 (AISI 316)	EN 1.4571 (AISI 316T)	EN 1.4401 (AISI 316)	EN 1.4401 (AISI 316)	EN 1.4401 (AISI 316)



# 3D SERIES

## CENTRIFUGAL PUMPS CLOSE COUPLED AND STANDARDIZED EN 733

**ELECTRIC DATA TABLE 3D SERIES**

Model	P:		Efficiency	Efficiency (%) Three phase (380V)			Efficiency (%) Three phase (460V)			Input [kW]	Absorbed current [A]			
	[HP]	[kW]		η %			η %				220V	Three phase		
				50%	75%	100%	50%	75%	100%			380V	460V	660V
3D 32-125/2.26	3	2,2	-	80,5	83,3	83,5	77,3	82,4	84,1	2,9	7,0	4,1	4,1	-
3D 32-125/2.26	3	2,2	IE3*	88,9	88,8	87,2	86,3	88,5	88,4	2,5	7,5	4,3	4,1	-
3D 32-160/3.06	4	3	-	84,0	85,9	85,2	80,2	83,5	84,6	3,9	10,5	6,1	5,6	-
3D 32-160/3.06	4	3	IE3*	-	-	87,5	-	-	88,5	3,4	10,2	5,9	5,6	-
3D 32-160/4.06	5,5	4	-	83,2	85,8	86,1	81,0	85,1	86,7	5,1	14,7	8,5	8,0	-
3D 32-160/4.06	5,5	4	IE3*	89,7	89,6	88,6	86,1	88,4	88,5	4,5	13,5	7,8	7,6	-
3D 32-200/5.56	7,5	5,5	-	83,4	85,3	85,7	82,9	86,0	87,4	7,0	-	11,6	9,5	6,7
3D 32-200/5.56	7,5	5,5	IE3*	90,4	90,9	90,4	88,7	90,5	91,0	6,0	-	10,1	8,9	5,8
3D 32-200/7.56	10	7,5	-	83,1	85,4	85,8	82,6	86,1	87,5	9,4	-	14,9	12,7	8,6
3D 32-200/7.56	10	7,5	IE3*	90,0	90,6	90,3	88,1	90,3	90,8	8,3	-	13,6	11,9	7,8
3D 40-125/3.06	4	3	-	84,0	85,9	85,2	80,2	83,5	84,6	3,9	10,5	6,1	5,6	-
3D 40-125/3.06	4	3	IE3*	-	-	87,5	-	-	88,5	3,4	10,2	5,9	5,6	-
3D 40-125/4.06	5,5	4	-	83,2	85,8	86,1	81,0	85,1	86,7	5,1	14,7	8,5	8,0	-
3D 40-125/4.06	5,5	4	IE3*	89,7	89,6	88,6	86,1	88,4	88,5	4,5	13,5	7,8	7,6	-
3D 40-160/5.56	7,5	5,5	-	83,4	85,3	85,7	82,9	86,0	87,4	7,0	-	11,6	9,5	6,7
3D 40-160/5.56	7,5	5,5	IE3*	90,4	90,9	90,4	88,7	90,5	91,0	6,0	-	10,1	8,9	5,8
3D 40-160/7.56	10	7,5	-	83,1	85,4	85,8	82,6	86,1	87,5	9,4	-	14,9	12,7	8,6
3D 40-160/7.56	10	7,5	IE3*	90,0	90,6	90,3	88,1	90,3	90,8	8,3	-	13,6	11,9	7,8
3D 40-200/116	15	11	-	87,3	88,8	88,6	85,9	88,7	89,6	11,3	-	17,7	15,4	10,3
3D 40-200/116	15	11	IE3*	90,3	91,2	91,2	88,3	90,5	91,3	10,1	-	16,9	14,9	9,7
3D 40-200/156	20	15	-	90,9	91,5	91,0	89,4	91,3	91,8	17,9	-	28,7	25,0	16,6
3D 40-200/156	20	15	IE3*	92,5	92,7	92,1	91,0	92,5	92,7	16,2	-	27,1	23,9	15,7
3D 50-125/5.56	7,5	5,5	-	83,4	85,3	85,7	82,9	86,0	87,4	7,0	-	11,6	9,5	6,7
3D 50-125/5.56	7,5	5,5	IE3*	90,4	90,9	90,4	88,7	90,5	91,0	6,0	-	10,1	8,9	5,8
3D 50-125/7.56	10	7,5	-	83,1	85,4	85,8	82,6	86,1	87,5	9,4	-	14,9	12,7	8,6
3D 50-125/7.56	10	7,5	IE3*	90,0	90,6	90,3	88,1	90,3	90,8	8,3	-	13,6	11,9	7,8
3D 50-160/116	15	11	-	87,3	88,8	88,6	85,9	88,7	89,6	11,3	-	17,7	15,4	10,3
3D 50-160/116	15	11	IE3*	90,3	91,2	91,2	88,3	90,5	91,3	10,1	-	16,9	14,9	9,7
3D 50-160/156	20	15	-	90,9	91,5	91,0	89,4	91,3	91,8	17,9	-	28,7	25,0	16,6
3D 50-160/156	20	15	IE3*	92,5	92,7	92,1	91,0	92,5	92,7	16,2	-	27,1	23,9	15,7
3D 65-125/5.56	7,5	5,5	-	83,4	85,3	85,7	82,9	86,0	87,4	7,0	-	11,6	9,5	6,7
3D 65-125/5.56	7,5	5,5	IE3*	90,4	90,9	90,4	88,7	90,5	91,0	6,0	-	10,1	8,9	5,8
3D 65-125/7.56	10	7,5	-	83,1	85,4	85,8	82,6	86,1	87,5	9,4	-	14,9	12,7	8,6
3D 65-125/7.56	10	7,5	IE3*	90,0	90,6	90,3	88,1	90,3	90,8	8,3	-	13,6	11,9	7,8
3D 65-160/9.26	13	9,2	-	87,3	88,8	88,6	85,9	88,7	89,6	11,3	-	17,7	15,4	10,3
3D 65-160/9.26	13	9,2	IE3*	90,3	91,2	91,2	88,3	90,5	91,3	10,1	-	16,9	14,9	9,7
3D 65-160/116	15	11	-	91,9	91,8	91,2	90,9	92,0	91,9	13,2	-	18,3	18,3	10,5
3D 65-160/116	15	11	IE3*	91,9	91,8	91,2	90,9	91,8	91,3	12,1	-	20,3	18,5	11,7
3D 65-160/156	20	15	-	90,9	91,5	91,0	89,4	91,3	91,8	17,9	-	28,7	25,0	16,6
3D 65-160/156	20	15	IE3*	92,5	92,7	92,1	91,0	92,5	92,7	16,2	-	27,1	23,9	15,7
3D 65-200/156	20	15	-	90,9	91,5	91,0	89,4	91,3	91,8	17,9	-	28,7	25,0	16,6
3D 65-200/156	20	15	IE3*	92,5	92,7	92,1	91,0	92,5	92,7	16,2	-	27,1	23,9	15,7
3D 65-200/18.56	25	18,5	-	91,7	92,8	92,5	90,3	92,1	92,9	21,9	-	34,8	31,0	20,1
3D 65-200/18.56	25	18,5	IE3*	92,2	92,9	92,7	90,8	92,5	92,9	19,9	-	33,5	30,3	19,3
3D 65-200/226	30	22	-	89,7	91,2	91,3	88,4	91,0	91,7	26,4	-	41,7	36,4	24,0
3D 65-200/226	30	22	IE3*	92,4	92,7	92,7	92,6	93,1	93,1	23,7	-	39,5	34,5	22,8

(\*) Only for IE3 Motors

# 3D SERIES

## CENTRIFUGAL PUMPS CLOSE COUPLED AND STANDARDIZED EN 733

**ELECTRIC DATA TABLE 3DS - 3DP SERIES**

3DS	Model 3DP	Motor Size	P.		Efficiency	Input [kW]	Efficiency (%) Three phase			cos-φ	Absorbed current [A]	
			[HP]	[kW]			50%	η % 75%	100%		Three phase 265V 460V	
3DS 32-125/2.26	3DP 32-125/2.26	90L	2,2	3	-	2,65	79,6	83,2	84,3	0,81	7,1	4,1
3DS 32-125/2.26	3DP 32-125/2.26	90L	2,2	3	IE2	2,55	86,0	86,4	86,5	0,82	6,8	3,9
3DS 32-160/3.06	3DP 32-160/3.06	100L	3	4	-	3,56	80,7	84,4	85,5	0,86	9,0	5,2
3DS 32-160/3.06	3DP 32-160/3.06	100L	3	4	IE2	3,44	86,4	87,8	87,5	0,90	8,3	4,8
3DS 32-160/4.06	3DP 32-160/4.06	112M	4	5,5	-	4,70	81,3	84,2	85,0	0,83	12,3	7,1
3DS 32-160/4.06	3DP 32-160/4.06	112M	4	5,5	IE2	4,62	84,2	86,2	87,5	0,92	10,9	6,3
3DS 32-200/5.56	3DP 32-200/5.56	132S	5,5	7,5	-	6,22	83,5	86,6	87,8	0,84	-	9,3
3DS 32-200/5.56	3DP 32-200/5.56	132S	5,5	7,5	IE2	6,24	87,2	88,7	89,1	0,91	-	8,6
3DS 32-200/7.56	3DP 32-200/7.56	132S	7,5	10	IE2	8,45	89,8	90,1	89,7	0,93	-	11,4
3DS 40-125/3.06	3DP 40-125/3.06	100L	3	4	-	3,56	80,7	84,4	85,5	0,86	9,0	5,2
3DS 40-125/3.06	3DP 40-125/3.06	100L	3	4	IE2	3,44	86,4	87,8	87,5	0,90	8,3	4,8
3DS 40-125/4.06	3DP 40-125/4.06	112M	4	5,5	-	4,70	81,3	84,2	85,0	0,83	12,3	7,1
3DS 40-125/4.06	3DP 40-125/4.06	112M	4	5,5	IE2	4,62	84,2	86,2	87,5	0,92	10,9	6,3
3DS 40-160/5.56	3DP 40-160/5.56	132S	5,5	7,5	-	6,22	83,5	86,6	87,8	0,84	-	9,3
3DS 40-160/5.56	3DP 40-160/5.56	132S	5,5	7,5	IE2	6,24	87,2	88,7	89,1	0,91	-	8,6
3DS 40-160/7.56	3DP 40-160/7.56	132S	7,5	10	IE2	8,45	89,8	90,1	89,7	0,93	-	11,4
3DS 40-200/116	3DP 40-200/116	160M	11	15	IE2	12,13	87,2	89,5	90,9	0,88	-	17,3
3DS 40-200/156	3DP 40-200/156	160M	15	20	IE2	16,34	90,9	92,3	91,8	0,88	-	23,3
3DS 50-125/5.56	3DP 50-125/5.56	132S	5,5	7,5	-	6,22	83,5	86,6	87,8	0,84	-	9,3
3DS 50-125/5.56	3DP 50-125/5.56	132S	5,5	7,5	IE2	6,24	87,2	88,7	89,1	0,91	-	8,6
3DS 50-125/7.56	3DP 50-125/7.56	132S	7,5	10	IE2	8,45	89,8	90,1	89,7	0,93	-	11,4
3DS 50-160/116	3DP 50-160/116	160M	11	15	IE2	12,13	87,2	89,5	90,9	0,88	-	17,3
3DS 50-160/156	3DP 50-160/156	160M	15	20	IE2	16,34	90,9	92,3	91,8	0,88	-	23,3
3DS 65-125/5.56	3DP 65-125/5.56	132S	5,5	7,5	-	6,22	83,5	86,6	87,8	0,84	-	9,3
3DS 65-125/5.56	3DP 65-125/5.56	132S	5,5	7,5	IE2	6,24	87,2	88,7	89,1	0,91	-	8,6
3DS 65-125/7.56	3DP 65-125/7.56	132S	7,5	10	IE2	8,45	89,8	90,1	89,7	0,93	-	11,4
3DS 65-160/9.26	3DP 65-160/9.26	132M	9,2	12,5	IE2	10,18	85,0	88,6	90,0	0,90	-	14,2
3DS 65-160/116	3DP 65-160/116	160M	11	15	IE2	12,13	87,2	89,5	90,9	0,88	-	17,3
3DS 65-160/156	3DP 65-160/156	160M	15	20	IE2	16,34	90,9	92,3	91,8	0,88	-	23,3
3DS 65-200/156	3DP 65-200/156	160M	15	20	IE2	16,34	90,9	92,3	91,8	0,88	-	23,3
3DS 65-200/18.56	3DP 65-200/18.56	160L	18,5	25	IE2	20,19	90,3	92,0	91,7	0,88	-	28,8
3DS 65-200/226	3DP 65-200/226	180M	22	30	IE2	23,40	91,8	93,0	93,4	0,89	-	33,0



## EBARA Pumps Europe network

### HEAD OFFICE

**EBARA Pumps Europe S.p.A.**  
Via Pacinotti, 32  
36040 Brendola (VI), Italy  
Phone +39 0444 706811 - Fax +39 0444 405811

*Italian Sales (for order only):*  
e-mail: ordini@ebaraeurope.com

*Export Sales (for order only):*  
e-mail: exportsales@ebaraeurope.com

*Technical Customer Service (TCS):*  
e-mail: tcs@ebaraeurope.com  
Phone +39 0444 706869/902/923/833

*Marketing & Marketing Communication:*  
e-mail: marketing@ebaraeurope.com

### ITALIAN SALES NETWORK

**NORTH-EAST Region:**  
*(Trentino Alto Adige, Veneto, Friuli Venezia Giulia, Emilia Romagna)*  
Regional Manager mobile: +39 335 6423308  
e-mail: nord@ebaraeurope.com  
Phone +39 0444 706811 - Fax +39 0444 405811

**NORTH-WEST Region:**  
*(Valle d'Aosta, Piemonte, Lombardia, Liguria)*  
Regional Manager mobile: +39 335 5327276  
e-mail: mktgmi@ebaraeurope.com  
Phone +39 0444 706811 - Fax +39 0444 405975

**CENTRAL Region:**  
*(Toscana, Umbria, Marche, Lazio, Abruzzo, Molise)*  
Regional Manager mobile: +39 335 6423286  
e-mail: centro@ebaraeurope.com  
Phone +39 0444 706811 - Fax +39 0444 405811

**SOUTH Region:**  
*(Campania, Basilicata, Puglia, Calabria, Sicilia)*  
Regional Manager mobile: +39 335 6423316  
e-mail: sud@ebaraeurope.com  
Phone +39 0444 706811 - Fax +39 0444 405811

**INDUSTRIAL Division:**  
Manager mobile: +39 335 6423302  
e-mail: industry@ebaraeurope.com  
Phone +39 0444 706811 - Fax +39 0444 405811

**WASTEWATER Division:**  
Manager mobile: +39 335 6423290  
e-mail: ses@ebaraeurope.com  
Phone +39 0444 706811 - Fax +39 0444 405811

**CAGLIARI Branch:**  
Via del Fangario, 29  
09122 Cagliari  
Phone +39 070 274281 - Fax +39 0444 405960  
Branch Manager mobile: +39 335 6423320  
e-mail: mktgca@ebaraeurope.com

**PALERMO Branch:**  
Via Don L. Sturzo, 181/183  
Z.I. - 90044 Carini (PA)  
Phone +39 091 8669790 - Fax +39 0444 405980  
Branch Manager mobile: +39 335 6423316  
e-mail: mktgpa@ebaraeurope.com

### EXPORT NETWORK

**EBARA Pumps Europe S.p.A. UNITED KINGDOM**  
Unit 7 - Zodiac Business Park  
High Road - Cowley Uxbridge  
Middlesex - UB8 2GU, United Kingdom  
Phone +44 1895 439027 - Fax +44 1895 439028  
e-mail: mktguk@ebaraeurope.com

**EBARA ESPAÑA BOMBAS S.A.**  
C/Cormoranes 6 Y 8  
Poligono Ind. La Estación  
28320 Pinto (Madrid), Spain  
Phone +34 916.923.630 - Fax +34 916.910.818  
e-mail: marketing@ebara.es

**EBARA Pumps Europe S.p.A. FRANCE**  
555, Rue Juliette Recamier  
69970 Chaponnay, France  
Phone +33 4 72769482 - Fax +33 805101071  
e-mail: mktgfr@ebaraeurope.com

**EBARA Pumps Europe S.p.A. GERMANY**  
Ferdinand-Porsche-Ring 7  
63110 Rodgau-Jügesheim, Germany  
Phone +49 (0) 6106-660 99-0  
Fax +49 (0) 6106-660 99-45  
e-mail: mktgde@ebaraeurope.com

**EBARA POMPY POLSKA Sp. z o.o.**  
ul. Działkowa 115  
02-234 Warszawa, Poland  
Phone +48 22 3909920 - Fax +48 22 3909929  
e-mail: mktgpl@ebaraeurope.com

**EBARA Pumps Europe S.p.A INDIA LIAISON OFFICE**  
1503, Bhumiraj Costarica,  
Sector-18, Palm Beach Rd.  
Sanpada, Navi Mumbai  
Maharashtra, Pin: 400705 - India  
Phone +91 22 2781 2862  
Fax +91 22 2781 2865  
e-mail: mktgind@ebaraeurope.com

**EBARA Pumps RUS Ltd.**  
Prospekt Andropov 18, building 7, floor 11  
115432 Moscow  
Japan  
Tel. +7 499 6830133  
e-mail: mktgrus@ebaraeurope.com



### EBARA Pumps Europe S.p.A.

Via Pacinotti, 32  
36040 Brendola (Vicenza), Italy  
Phone +39 0444 706811 - Fax +39 0444 405811  
e-mail: ebara\_pumps@ebaraeurope.com  
www.ebaraeurope.com



### EBARA Corporation

11-1, Haneda Asahi-cho, Ohta-ku,  
Tokyo 144-8510  
Japan  
Phone +81 3 6275 7598 - Fax +81 3 5736 3193  
www.ebara.com

