

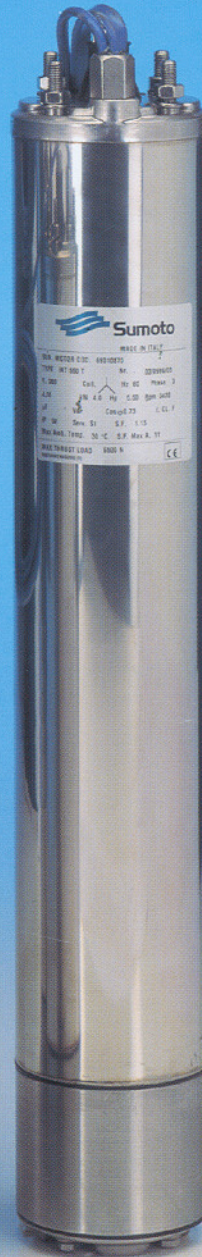
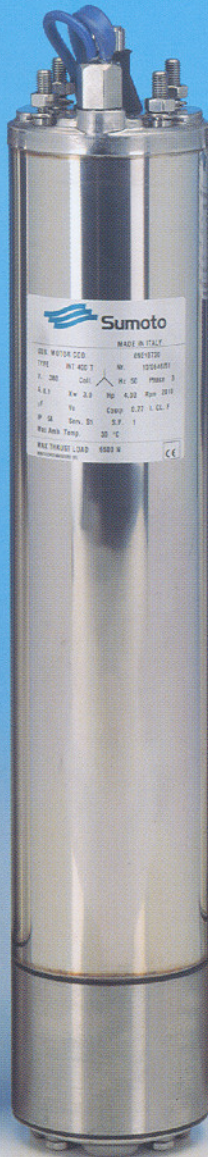
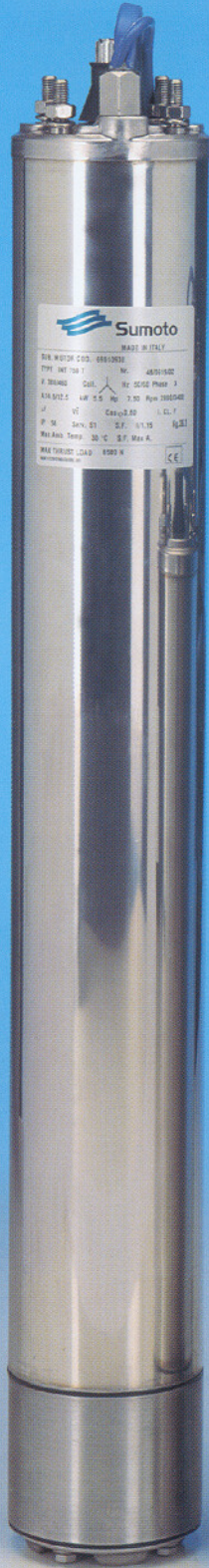


Sumoto

4" SUBMERSIBLE CANNED MOTORS

4WP

NEW



4WP Submersible Motors

4WP Series: Submersible Canned Motors for Borehole Pumps

The New 4" Canned Type Motor developed by Sumoto is the result of more than 10 yrs. of experience in the field made with the INT4 model and all others submersible motors manufactured to match all pumps' needs.

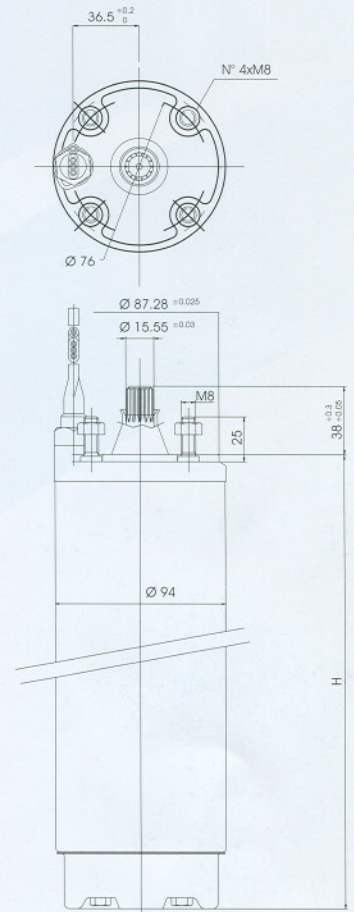
Now with the 4 WATER PERFORMANCE we aim to offer the most advanced alternative to those pump's producers that are ready for the new challenge of the market.

Technical Specification

- Stator filled with special epoxy resin and hermetically sealed for a better insulation of the winding and upgraded prevention of motor's burnt out.
- Rotor and bearings lubricated by Water mixed with Propylene Glycol.
- NEW Removable plug in lead cable.
- Motor frame made out of AISI 304
- Shaft end made out of AISI 303
- Motor bracket made out of Cast Iron G20
- Brackets' cover made out of AISI 304
- Shaft sealing system granted by labyrinth seal, sand slinger and lip seal.
- Pressure equalising diaphragm.
- 4" NEMA flange.
- Degree of protection: IP58
- Insulation: Class F
- Range: 0,37 kW up to 2,2 kW Single Phase
0,37 kW up to 5,5 kW Three Phase

Operating Limits

- Water well temperature range: 0°C - 35°C
- Starts per hour: 30
- Minimum flow rate speed: 0,08 m/s
- Voltage tolerance: +6% / -10%
- Maximum deep head: 150 Mt.
- Mounting position: vertical/horizontal.
- Liquid characteristics: Ph 5,8 to 8,6
- Axial Thrust: 1500 Newton up to 0,75 kW
3000 Newton up to 2,20 Kw
6500 Newton up to 5,50 Kw



50 Hz. Type		Technical data for psc - cscr 4WP series Sumoto 4" motors - 50 Hz -												
		Thrust Load N	Weight Kg	H mm	kW	Hp	In	Istart	RPM	Cosφ	Ts/Tn PSC	EFF%	C run μF	C start μF
							Amp							
Single Phase 230V 50Hz	4WP 050 M	1500	6,8	250	0,37	0,5	3,4	11,3	2850	0,95	68	56	16	36-46
	4WP 075 M		8,1	265	0,55	0,75	4,8	16,6	2860	0,94	66	64	20	72-86
	4WP 100 M		10,6	295	0,75	1	5,9	19,8	2850	0,94	64	64	30	88-106
	4WP 150 M	3000	11,2	340	1,1	1,5	7,8	29,5	2840	0,92	63	66	40	88-106
	4WP 200 M		14	375	1,5	2	10,1	36,4	2850	0,95	62	67	50	130-156
	4WP 300 M		16,4	430	2,2	3	15,2	52,5	2840	0,95	56	67	70	189-227
Three Phase 400V 50Hz	4WP 050 T	1500	5,8	235	0,37	0,5	1,2	5,1	2830	0,74	2,1	62		
	4WP 075 T		7	250	0,55	0,75	1,6	6,5	2830	0,77	1,9	63		
	4WP 100 T		8,3	265	0,75	1	2,2	9,2	2840	0,75	2,2	64		
	4WP 150 T	3000	10,9	295	1,1	1,5	3,1	14,2	2850	0,75	2,3	65		
	4WP 200 T		11,4	340	1,5	2	4,0	18,5	2830	0,77	2,3	70		
	4WP 300 T		14,2	375	2,2	3	5,7	26,5	2830	0,79	2,4	71		
	4WP 400 T	6500	18,3	480	3	4	7,7	35,5	2840	0,77	2,2	73		
	4WP 550 T		23,4	555	4	5,5	10,1	46	2850	0,77	2,3	75		
	4WP 750 T		29,4	675	5,5	7,5	13,6	65	2840	0,77	2,3	76		
Three Phase 220V 50Hz	4WP 050 T	1500	5,8	235	0,37	0,5	2,1	8,8	2830	0,74	2,1	62		
	4WP 075 T		7	250	0,55	0,75	2,8	11,3	2830	0,77	1,9	63		
	4WP 100 T		8,3	265	0,75	1	3,8	15,9	2840	0,75	2,2	64		
	4WP 150 T	3000	10,9	295	1,1	1,5	5,4	24,6	2850	0,75	2,3	65		
	4WP 200 T		11,4	340	1,5	2	6,9	32,0	2830	0,77	2,3	70		
	4WP 300 T		14,2	375	2,2	3	9,9	45,9	2830	0,79	2,4	71		
	4WP 400 T	6500	18,3	480	3	4	13,3	61,5	2840	0,77	2,2	73		
	4WP 550 T		23,4	555	4	5,5	17,5	79,7	2850	0,77	2,3	75		
	4WP 750 T		29,4	675	5,5	7,5	23,6	112,6	2840	0,77	2,3	76		