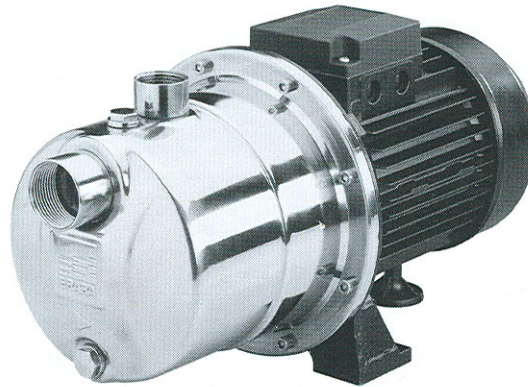


Self priming pumps manufactured in stainless steel AISI 304 suitable for water supply, domestic pressure boosting and small irrigation systems, pool and tank emptying and general clean water pumping.



### SPECIFICATIONS

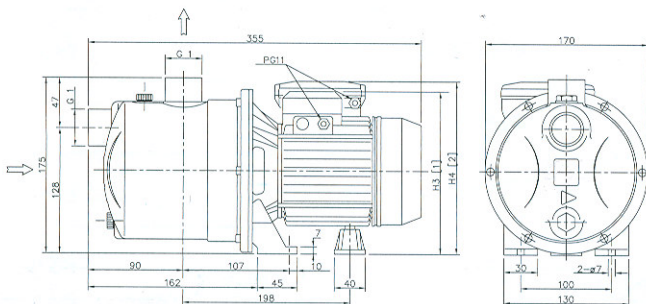
- Suction: 1" JESX - 1 1/4" JEX
- Discharge: 1"
- Max water temperature: 35°C for domestic uses  
(According to the EN 60335-2-41)  
60°C for other uses
- Max working pressure: 6 bar
- Max suction depth: 8 m

### MATERIALS

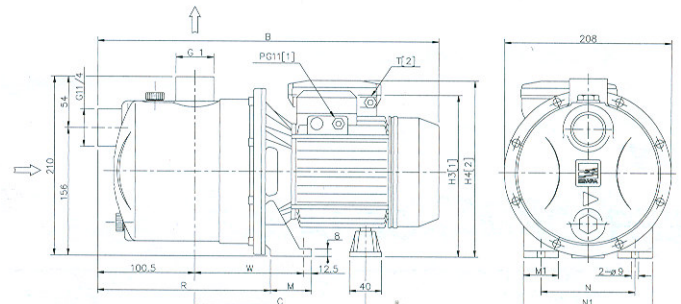
- Pump body, casing cover in AISI 304
- Bracket and motor casing in aluminium
- Shaft in AISI 303
- Impeller in AISI 304 for JEX, in tecnopolymer for JESX
- Mechanical seal in carbon/ceramic/NBR

### TECHNICAL DATA

- 2 poles motor.
- Insulation class F
- IP 54 protection degree
- Single-phase standard voltage: 220-230V ±6%  
110-115V ±6%  
(up to 0,75 kW)
- Three-phase standard voltage: 220/380V -6% +10%
- permanent split capacitor and automatic thermal overload protection for single-phase version
- Thermal protection to be provided by the user for three-phase version
- DNA 1" for JESX, 1 1/4" for JEX
- DNM 1"



JESX



JEX

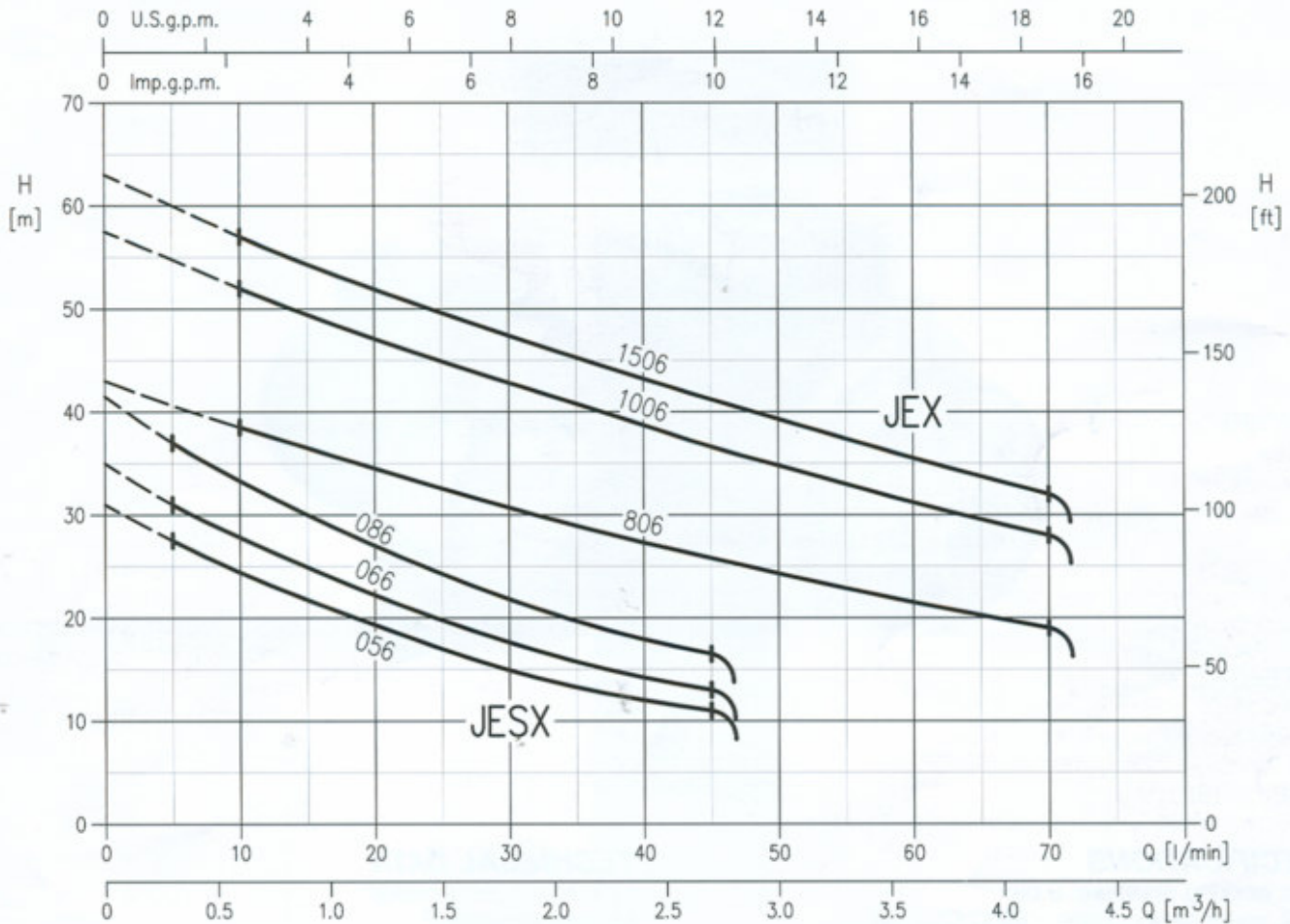
[1] = Only for three phase  
[2] = Only for single phase

## DIMENSIONAL TABLES

Pump type	Dimensions [mm]		Weight [kg]	
	JESX(M)	H3	H4	1~
056	175	200	5,2	5,6
066	175	200	5,5	5,1
086	175	200	6	6,1

Pump type	Dimensions [mm]											Weight [kg]	
	JEX(M)	B	C	H3	H4	M	M1	N	N1	R	T	W	1~
806	417	230	206	215	50	38	120	160	206	PG11	143	10,2	10,2
1006	417	230	206	215	50	38	120	160	206	PG11	143	12	12
1506	417	230	206	215	50	38	120	160	206	PG11	143	12,3	14,1

## PERFORMANCE CURVES (according to ISO 9906 Annex A)



## PERFORMANCE TABLE

Type pumps		Output		Absorbed current [A]				Q=Capacity										
Single-phase 60Hz	Three-phase 60Hz	kW	HP	Single-phase		Three-phase		H=Total manometric head in meters										
				110-115V	220-230V	220V	380V	l/min. 0	5	10	20	30	40	45	50	60	70	
								m³/h 0	0,3	0,6	1,2	1,8	2,4	2,7	3,0	3,6	4,2	
JESXM 056	JESX 056	0,37	0,5	3,6	2,0	1,3	0,7	31	27,5	24,4	19,3	14,9	12	11	-	-	-	
JESXM 066	JESX 066	0,44	0,6	4,1	2,2	1,4	0,8	35	31	27,8	22,2	17,6	14,2	13	-	-	-	
JESXM 086	JESX 086	0,6	0,8	4,9	2,5	1,6	0,9	41,5	37	33,3	27	21,8	17,9	16,5	-	-	-	
JEXM 806	JEX 806	0,6	0,8	9,2	4,9	2,8	1,6	43	-	38,5	35	30,7	27,3	25,8	24,3	21,5	19	
JEXM 1006	JEX 1006	0,75	1,0	13,3	7,2	4,2	2,4	57,5	-	52	47	43	38,7	36,6	34,8	31,2	28	
JEXM 1506	JEX 1506	1,1	1,5	-	8,1	4,7	2,7	63	-	57	52	47,5	43,2	41,2	39,3	35,5	32	