



EBARA

EBARA Hydro-Booster Variable Speed System

Type **BPC**

- Automatic booster system using VFD technology
- Trouble-free operation assured

EBARA Controller type BPC



Applications :

- Variable speed control
- Optimum pressure control
- Available for one inverter or maximum six inverter booster pumping systems



Features :

1. Energy Saving System

Minimum energy consumed during operation due to the use of variable speed drive system.

2. Constant Pressure

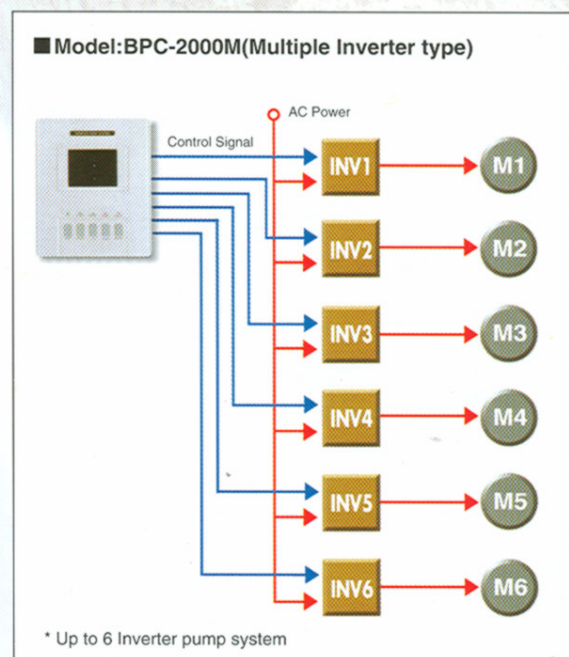
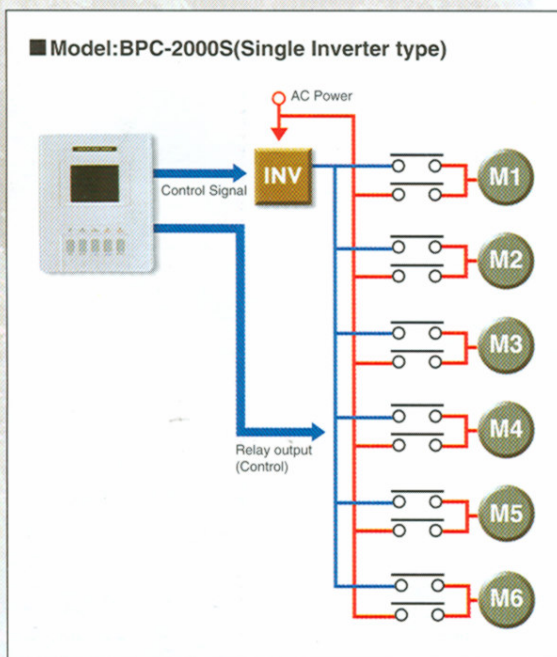
Constant pressure is made possible due to variable speed drive that possess the ability for frictional loss compensation.

3. EBARA Controller enhance system operation

The use of EBARA BPC Controller ensure system compatibility, thus ensure system reliability and durability.



EBARA Integrated PID Controller type BPC



Operation Functional Features :

- Run Mode : Auto (Inverter, Step1, Step2) and Manual.
- Lead pump change by setting time.
- Automatically restart
- Fault : Inverter, Over current, Water shortage, Low & High pressure
- Operation method : Touch screen & Push Button
- Display by LCD : 320 x 240 Dots
- Skip failed pump
- Idle prevention : Protection from water shortage.
- Automatic control method change when emergency
- Schedule operation : Monthly, Weekly, Daily
- Automatic warm-up : protection from frozen
- Remote communication (RS232, RS485, LAN) : Optional

Input signal & type of sensor

- Pressure transmitter : 4-20mA, 1-5V(DC)
- Temperature : PT100 ohm
- Water detector : Electronic rod, Relay output, Pressure switch

Note: All specifications subject to change without prior notice. Physical appearance of actual unit may vary from photo.



EBARA BENGUET, INC.

Canlubang Industrial Estate
 Cabuyao 4025 Laguna, Philippines
 P.O.Box 3461 MCPO 1274 Makati
 Tel.: (02) 8326230, (02) 6800-6037, (02) 832-8891, (49) 549-1806
 Fax: (02) 552-7905, (49) 549-1915
 Email: pumpsales@ebaraphilippines.com
 Website: www.ebaraphilippines.com